
Understanding and Specifying Turnstone Scoop

Multi-Use Seating



Product Details

| | |
|------------|-----|
| Scoop | 406 |
| Dimensions | 407 |

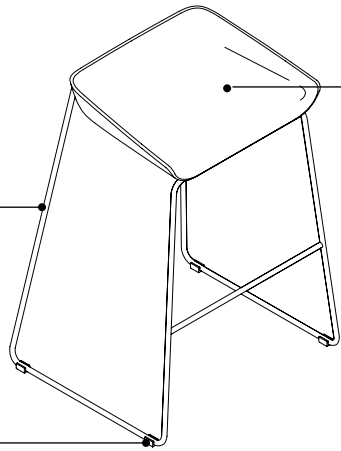


Specifying

| | |
|-------|-----|
| Scoop | 408 |
|-------|-----|

Scoop

Scoop is collaborative seating for teams that helps people move freely, change postures, and stay energized and comfortable.
▶ Specifying, page 408



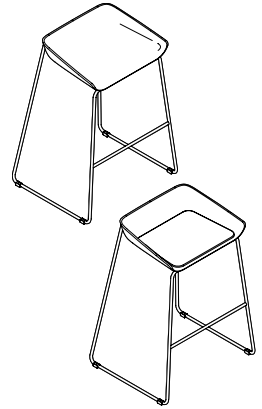
Durable wire frame is lightweight and available in multiple finishes.

Glides are standard for use on carpets. Soft glides are available for use on hard floors or chair mats.

Seat is constructed of molded plastic and available in several colors.

Upholstered seat is also available.

Product Details



Stools are available with or without upholstered seat.

Surface Materials

▶ See surface materials on page 634 for specific availability or refer to the *Surface Materials Reference Manual* for further information.

Dimensions

▶ Page 407

Dimensions

Scoop

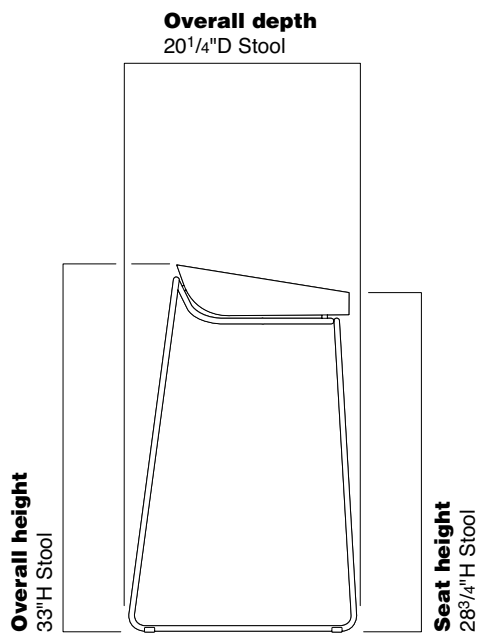
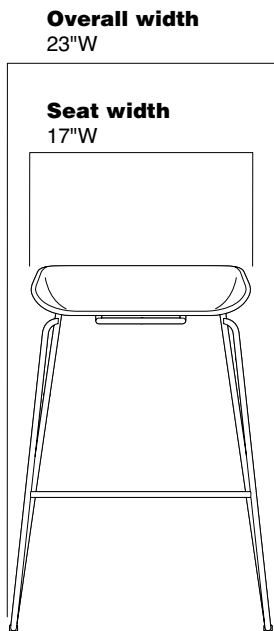
| Features | Overall Depth | Width | Height | Functional Seat Depth | Seat Width | Seat Height from Floor | Foot Bar Height |
|----------|---------------|-------|--------|-----------------------|------------|------------------------|-----------------|
|----------|---------------|-------|--------|-----------------------|------------|------------------------|-----------------|

Scoop

Stools

| | | | | | | |
|----------------------------------|-----|-----|----------------------------------|-----|----------------------------------|----------------------------------|
| 20 ¹ / ₄ " | 23" | 33" | 13 ¹ / ₂ " | 17" | 28 ³ / ₄ " | 12 ³ / ₄ " |
|----------------------------------|-----|-----|----------------------------------|-----|----------------------------------|----------------------------------|

Scoop



Scoop

Stools

| Standard Includes | | Required to Specify |
|--|--|--|
| <ul style="list-style-type: none"> ▶ Need help? Product details, page 406 | <ul style="list-style-type: none"> Steel wire frame: paint price group 1 Seat: plastic price group 1 Upholstered seat, if selected: fabric price group 1 Glides Shipped fully assembled | <ol style="list-style-type: none"> Style number Paint color number for frame Plastic color number for seat Fabric color number for upholstery, if selected Options, if selected (see below) <ul style="list-style-type: none"> ▶ See <i>Surface Materials</i>, page 634. |

| Options | U.S. Price | Required to Specify |
|---------------------------------|------------|--|
| Surface Materials | | |
| Steel wire frame | | |
| • Paint price group 1 | No cost | Specify paint color number. |
| • Paint price group 2 | +\$ 56 | Specify paint color number. |
| • Paint price group 3 | +\$ 86 | Specify paint color number. |
| Seat | | |
| • Plastic price group 1 | No cost | Specify plastic color number. |
| • Plastic price group 2 | +\$ 53 | Specify plastic color number. |
| Upholstery | | |
| • Fabric price group 1 | No cost | Specify fabric color number. |
| • Fabric price group 2 | +\$ 12 | Specify fabric color number. |
| • Fabric price group 3 | +\$ 37 | Specify fabric color number. |
| • Fabric price group 4 | +\$ 51 | Specify fabric color number. |
| • Fabric price group 5 | +\$ 61 | Specify fabric color number. |
| • Fabric price group 6 | +\$ 76 | Specify fabric color number. |
| • Fabric price group 7 | +\$ 92 | Specify fabric color number. |
| • Fabric price group 8 | +\$112 | Specify fabric color number. |
| • Fabric price group 9 | +\$137 | Specify fabric color number. |
| • Fabric price group 10 | +\$159 | Specify fabric color number. |
| • Vinyl | +\$ 12 | Specify vinyl color number. |
| • Customer's Own Material (COM) | +\$ 23 | ▶ See <i>Understanding Customer's Own Material (COM)</i> , page 642. |
| Glides | | |
| • Soft glides | No cost | Specify <i>with soft glides</i> . |

▶ Detailed dimensions, page 407

Specification Information

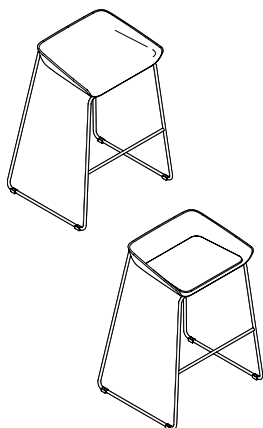
| Style Number | U.S. Base Price |
|--------------|-----------------|
| | |

Stool

TS30701 \$507

Stool with Upholstered Seat

TS30702 \$609



 **For Canadian Pricing**
 Multiply U.S. Price by the Canadian price factor.
 ▶ See page 1 for details.