
Understanding and Specifying Turnstone Lincoln Lounge

Lounge Seating



Product Details

Lincoln Lounge	788
Dimensions	789



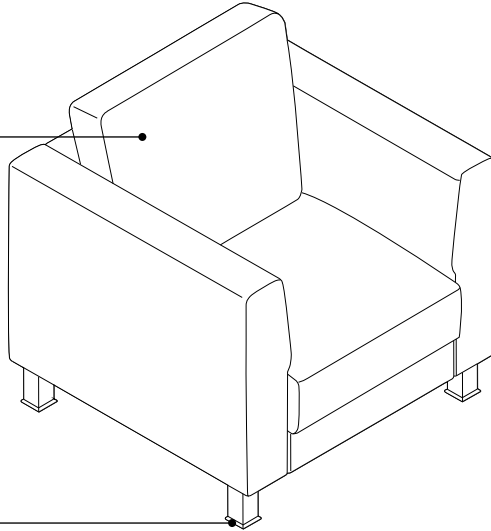
Specifying

Lincoln Lounge	790
----------------	-----

Lincoln Lounge

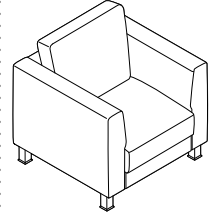
► Specifying, page 790

Lincoln Lounge seat, back and top of arms are leather. All other surfaces are simulated leather.



Supports up to 300 pounds.

Product Details



Legs need to be assembled onto the lounge seating.

The Jenny tablet arm cannot be installed on Lincoln chairs.

Surface Materials

Post legs are available in aluminum or black.

Seat and back are leather. Remaining chair is simulated leather.

Dimensions

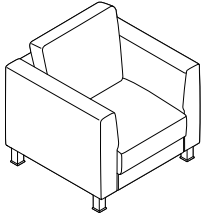
► Page 789

Dimensions

Lincoln Lounge

Overall Depth	Width	Height	Functional Seat Depth	Seat Width	Seat Height from Floor	Back Width	Back Height from Seat	Width Between Arms	Arm Rest Width	Arm Rest Length	Arm Height to Seat
Lincoln Lounge											
Lounge Seating											
32"	33"	34½"	20 ⁵ / ₈ "	21½"	16 ⁷ / ₈ "	21 ³ / ₈ "	20 ⁹ / ₁₆ "	23"	5 ¹ / ₁₆ "	7 ⁷ / ₈ "	10 ³ / ₄ "

Lincoln Lounge X10/22



Standard Includes	Required to Specify
<ul style="list-style-type: none"> ▶ Need help? Product details, page 788 • Seat and back: leather • Balance of the chair: simulated leather • Post legs: 8043 Clear Anodized Aluminum or 0835 Black • Shipped ready to assemble • Meets Cal. 117 requirements 	<ul style="list-style-type: none"> 1 Style number 2 Upholstery color number for seat and back: <ul style="list-style-type: none"> L304 Black Leather L305 Brown Leather

Specification Information

• Style • Number	• U.S. • Price

Lincoln Lounge with Post Legs

TS31601 X10/22	\$1440

▶ Detailed dimensions, page 789



For Canadian Pricing

Multiply U.S. Price by the Canadian price factor.

▶ See page 1 for details.

X10/22 = Last order entry
October 16, 2022

Steelcase
June 2022