
Understanding and Specifying Turnstone Jenny Lounge

Lounge Seating

Product Details

Jenny Lounge	588
Application Guidelines	591
Dimensions	592

Specifying

Jenny Lounge	594
--------------	-----

Jenny Lounge

Jenny Lounge products

are fully upholstered and have a relaxed appearance. They may show soft comfort wrinkles upon use.
▶ Specifying, page 594

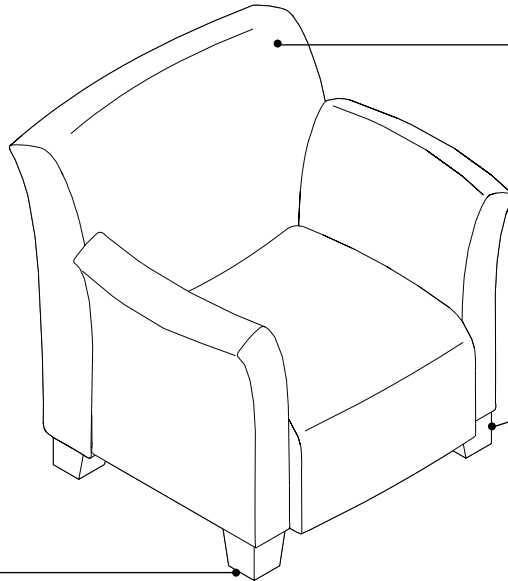
Standard Jenny chairs

are available in one arm, Armless, Wood Arms, Corner, Ottoman, Round, and Club.

Tip: There are height differences between Jenny Low and Jenny. Please use caution when mixing Jenny Low chairs with standard Jenny due to the lower height of Jenny Low.

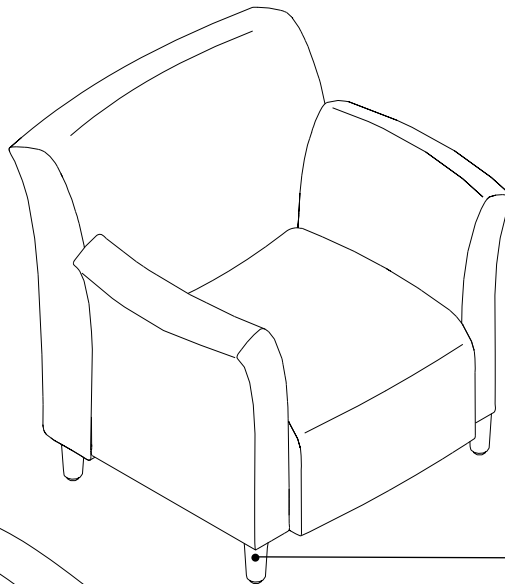
Legs have options of wood (square or round), brushed aluminum, and/or with casters.

Jenny Low chairs are available in Club and Round. They have an adjusted seat angle, and lowered height to align for work at lounge posture.

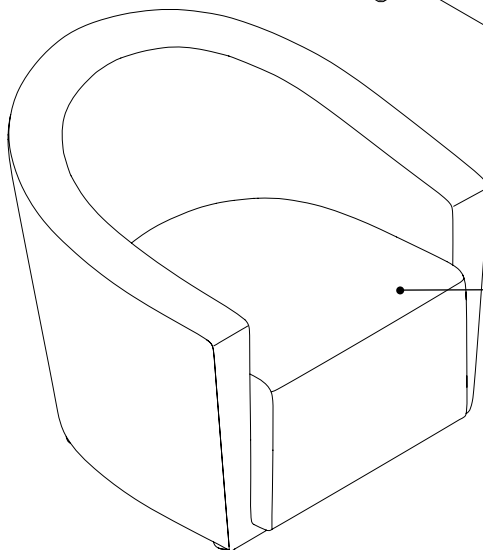


Jenny comes fully assembled.

Legs are standard in black plastic except for Jenny Round which has standard brushed aluminum legs.

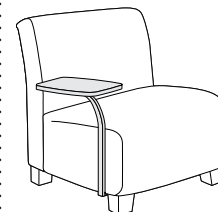
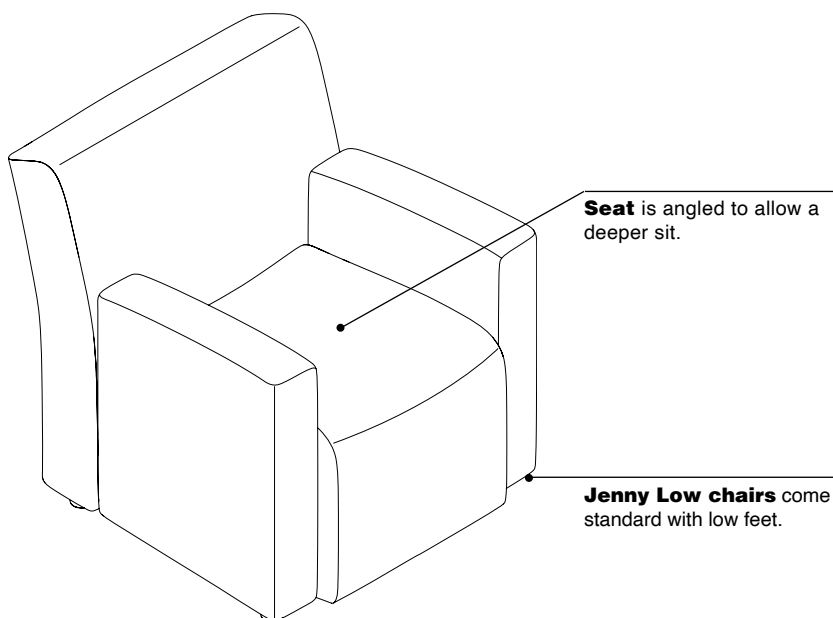


Round wood legs are solid maple and are available in three finishes.
Tip: Wood legs are natural wood and may have variations in color.



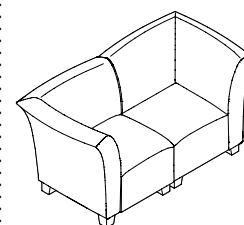
Seat is angled to allow a deeper sit.

Product Details

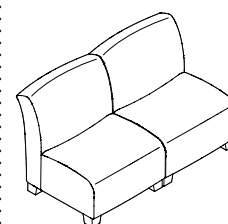


Tablet arm is only available on armless and one arm versions of Jenny.

Jenny tablet is 8¹/₂"W x 15¹/₂"L and ³/₄" thick.

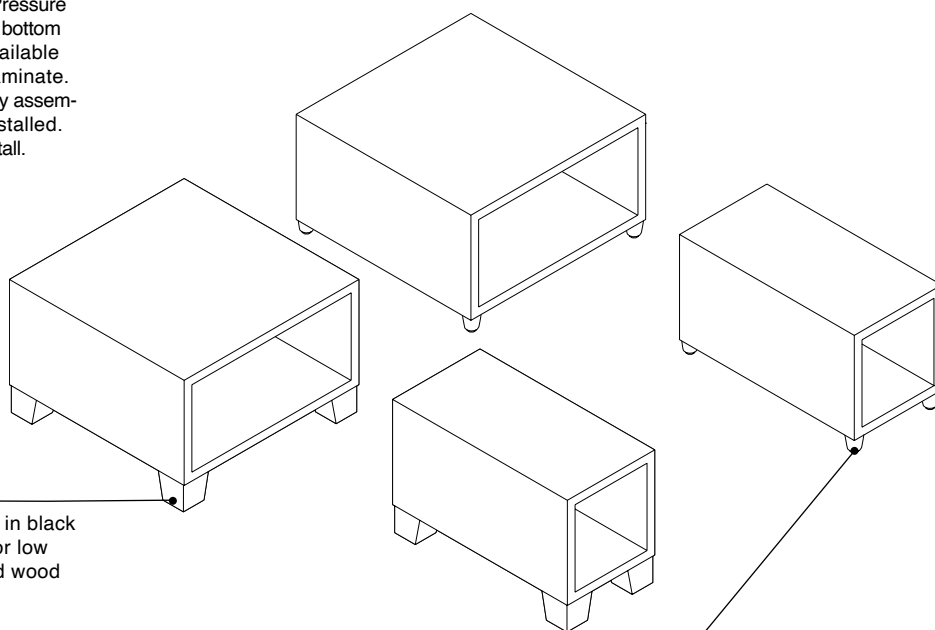


Two Jenny pieces shown as a love seat.



Two Armless Jenny pieces shown as a bench.

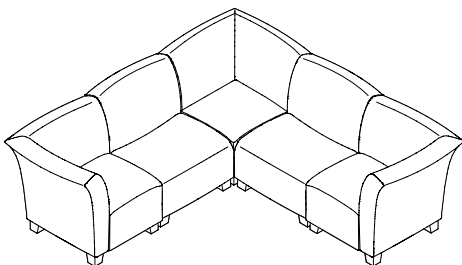
Jenny tables are available as a Coffee Table or End Table. Tops of tables are available in Low-Pressure Laminate and High-Pressure Laminate. Sides and bottom of table are only available in Low-Pressure Laminate. Jenny tables ship fully assembled without feet installed. Feet are ready to install.



Legs are standard in black and have options for low feet, aluminum, and wood legs.

Round wood legs are solid maple and are available in three finishes.
Tip: Wood legs are natural wood and may have variations in color.

Jenny Lounge, continued



Jenny seating shown as a sectional.

Hard dual-wheel casters are for use on carpet. Use on hard surfaces, including floor mats, will affect chair stability and may result in personal injury.

Brushed aluminum legs are adjustable and have 3/4" of height adjustment.

Casters are not retrofittable on style numbers TS31403 or TS31404.

There are height differences between Jenny Low and Jenny. Please use caution when mixing Jenny Low chairs with standard Jenny due to the lower height of Jenny Low.

Club, Club Low, Round, and Round Low have deck stitch detail. The rest of Jenny has welting detail.

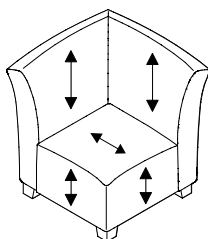
Surface Materials

Upholstery and hard components

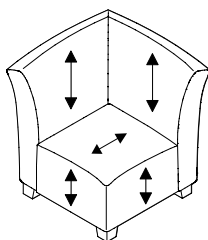
There may be sheen or texture differences when using Low-Pressure Laminate and High-Pressure Laminate in adjacent applications. Please use caution when mixing and matching different work-surface types.

Leather price group option ships at extended lead times.

Jenny Corner

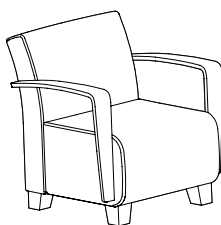


Tip: Standard seat fabric directionality is applied as the diagram above indicates (e.g. TS31406).



Tip: Reverse seat fabric directionality is applied as the diagram above indicates (e.g. TS31426).

With Wood Arms



Note: On Jenny with Wood Arms, due to natural variations in wood, finished products may vary in color, texture, and grain.

Legs

- Black plastic
- Brushed aluminum

With Square Wood Legs

- 3412 Natural Cherry
- 3522 Clear Maple
- 3762 Dark Walnut

With Round Wood Legs

- V1AC Natural Cherry
- V1AM Clear Maple
- V1EW Dark Walnut

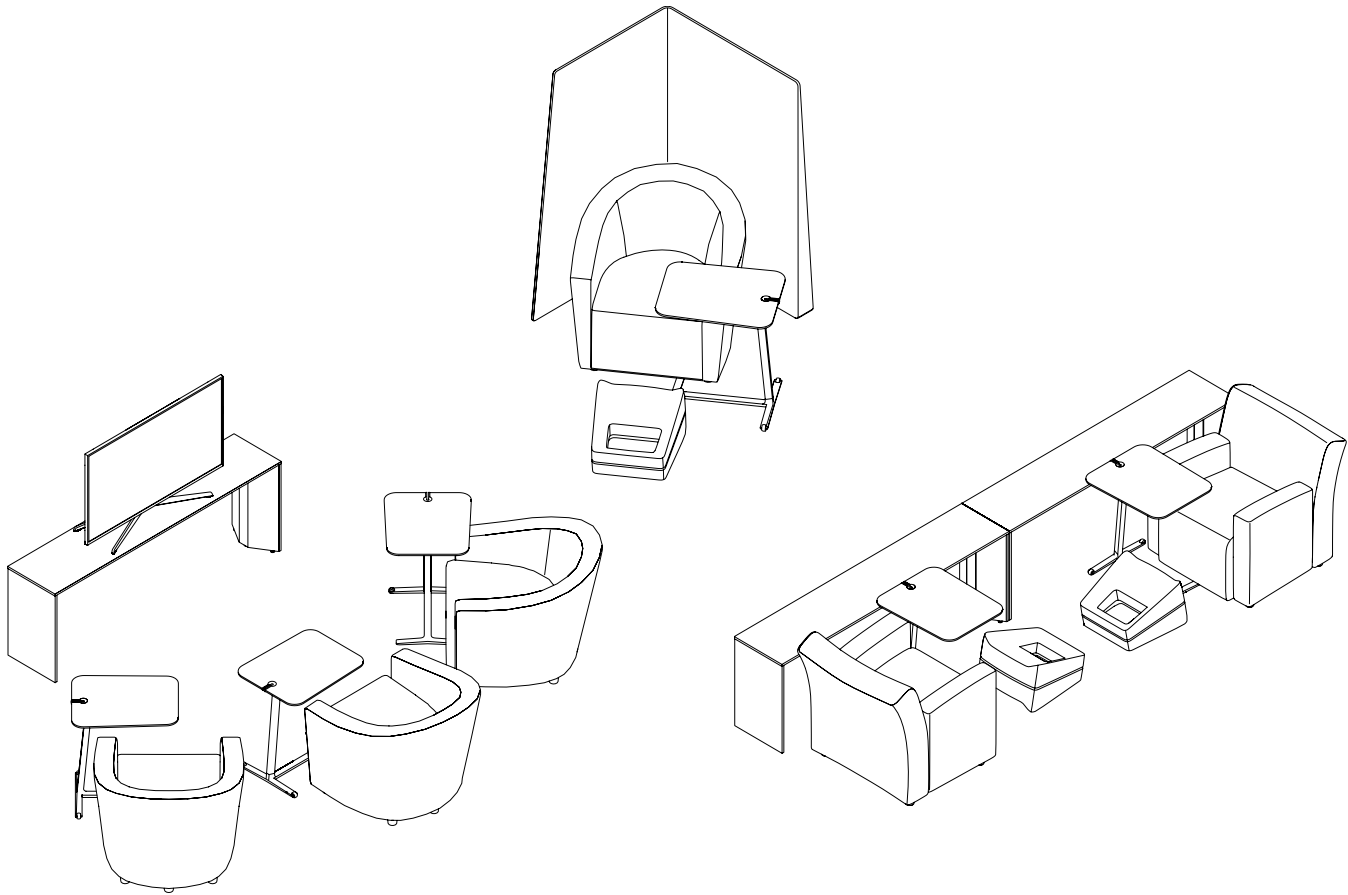
Tip: Finish 3522 Clear Maple and V1AM Clear Maple are a clear coat and therefore natural variations in wood will be visible.

Tip: Wood legs are natural wood and may have variations in color.

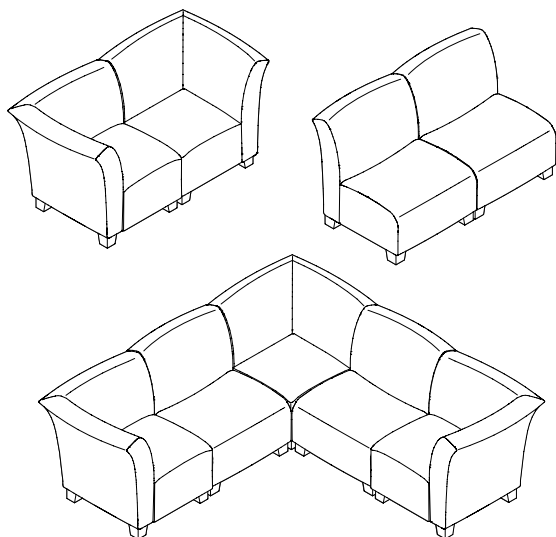
Dimensions

▶ Page 592

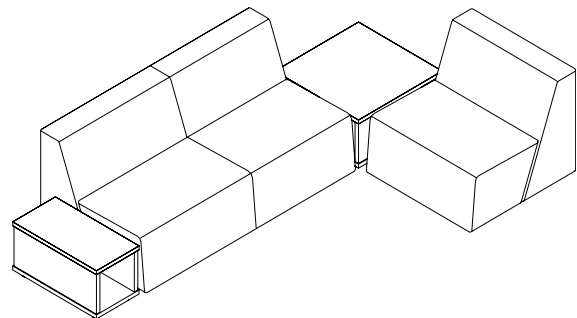
Application Guidelines



The Campfire Skate Table provides work space and slides easily around the Jenny Low feet and over the arms.
▶ See *Conference and Collaborative Tables Specification Guide*.



Jenny seating allows many different configurations using armless, left or right arms only, or corner version. Create a love seat, bench, or sectional using Jenny.



Jenny tables with the optional low foot align well with Campfire lounges.

Dimensions

Jenny Lounge

Features	Overall			Functional	Seat	Seat	Back	Back	Width
	Depth	Width	Height	Seat Depth	Width	Height from Floor	Width	Height from Seat	Between Arms

Jenny Lounge

Lounge Seating

Armless	32 ¹ / ₂ "	28 ¹ / ₂ "	32 ¹ / ₄ "	21"	28 ¹ / ₂ "	16", compressed	28 ¹ / ₂ "	18"	N.A.
Both Arms	32 ¹ / ₂ "	34 ¹ / ₂ "	32 ¹ / ₄ "	21"	19 ³ / ₄ "	16", compressed	28 ¹ / ₂ "	18"	26"
Right arm or Left arm only	32 ¹ / ₂ "	31 ¹ / ₂ "	32 ¹ / ₄ "	21"	23 ¹ / ₂ "	16", compressed	28 ¹ / ₂ "	18"	N.A.
Corner	32"	32"	32"	20"	20"	N.A.	N.A.	18"	N.A.
Club	32"	31 ³ / ₄ "	32 ¹ / ₄ "	21"	19"	16", compressed	28"	16"	19 ¹ / ₂ "
Round	32"	30"	31 ³ / ₄ "	21"	20"	16", compressed	28 ¹ / ₂ "	13"	19 ¹ / ₂ "
Wood Arms	32 ¹ / ₂ "	32 ¹ / ₂ "	32 ¹ / ₂ "	21"	24"	16", compressed	24"	16"	24 ¹ / ₄ "
Ottoman	27 ¹ / ₂ "	28 ¹ / ₂ "	18"	N.A.	N.A.	N.A.	N.A.	N.A.	N.A.
Club Low	32"	31 ³ / ₄ "	30"	21"	19"	14", compressed	28"	18 ¹ / ₂ "	19 ¹ / ₂ "
Round Low	32"	30"	28"	21"	20"	14", compressed	N.A.	14"	19 ¹ / ₂ "

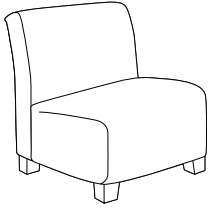
• Arm	• Arm	• Arm	• Arm	• Tablet	• Tablet	• Tablet	• Tablet
Rest Width	Rest Length	Height to Floor	Height from Seat	Width	Length	Height to Floor	Height from Seat

N.A.	N.A.	N.A.	N.A.	9"	16"	24 ¹ / ₂ "	6 ³ / ₄ "
4"	19 ³ / ₄ "	26"	9 ¹ / ₂ "	N.A.	N.A.	N.A.	N.A.
4"	19 ³ / ₄ "	26"	9 ¹ / ₂ "	9"	16"	24 ¹ / ₂ "	6 ³ / ₄ "
N.A.	N.A.	N.A.	N.A.	N.A.	N.A.	N.A.	N.A.
4 ¹ / ₂ "	19 ³ / ₄ "	26"	7 ³ / ₄ "	N.A.	N.A.	N.A.	N.A.
4 ¹ / ₂ "	N.A.	25"	9 ¹ / ₂ "	N.A.	N.A.	N.A.	N.A.
3 ¹ / ₂ "	24"	26"	9"	N.A.	N.A.	N.A.	N.A.
N.A.	N.A.	N.A.	N.A.	N.A.	N.A.	N.A.	N.A.
4 ¹ / ₂ "	N.A.	22"	9 ¹ / ₂ "	N.A.	N.A.	N.A.	N.A.
4 ¹ / ₂ "	N.A.	22"	9 ¹ / ₂ "	N.A.	N.A.	N.A.	N.A.

Jenny Lounge

Jenny Lounge

Armless



Tip: Tablet arm can be installed on either side.

Tip: Jenny Lounge chairs are available with multiple fabrics.

► See at right to specify.

Tip: When specifying multiple COM fabrics, indicate all surfaces where COM applies.

Example: TS31401M with Designtex 1234 on seat, Designtex 5678 on inner back, and Designtex 9012 on outer back.

Tip: When specifying multiple fabrics and leather, specify suffix **M** before suffix **L**.

Example: TS31401ML becomes TS31401CML

► Detailed dimensions, page 592



For Canadian Pricing

Multiply U.S. Price by the Canadian price factor.

► See page 1 for details.

Standard Includes	Required to Specify
<p>► Need help? Product details, page 588</p> <ul style="list-style-type: none"> Fully upholstered lounge chair: fabric price group 1 Tablet arm, if selected: Low-Pressure Laminate (LPL), or High-Pressure Laminate (HPL) price group 1 3 mm edge band for tablet arm, if selected: plastic Hard dual-wheel casters or legs with glides: black plastic Shipped fully assembled, some legs are field installed <i>Tablet arm is shipped ready to assemble.</i> Meets Cal. 117 requirements 	<ol style="list-style-type: none"> Style number Fabric color number for upholstery Low-Pressure Laminate or High-Pressure Laminate color number for tablet arm, if selected Plastic edge band color number for tablet arm, if selected Options, if selected (see below) <p>► See <i>Surface Materials</i>, page 634.</p>

Options	U.S. Price	Required to Specify
<p>Surface Materials</p> <p>Single upholstery fabric</p> <ul style="list-style-type: none"> Fabric price group 1 No cost Fabric price group 2 +\$ 47 Fabric price group 3 +\$ 105 Fabric price group 4 +\$ 144 Fabric price group 5 +\$ 187 Fabric price group 6 +\$ 234 Fabric price group 7 +\$ 277 Fabric price group 8 +\$ 349 Fabric price group 9 +\$ 437 Fabric price group 10 +\$ 494 Leather price group +\$2996 <ul style="list-style-type: none"> Vinyl +\$ 47 Customer's Own Material (COM) +\$ 56 Customer's Own Leather (COL) +\$ 53 <p>Multiple upholstery fabrics</p> <ul style="list-style-type: none"> Two or more fabrics on different chair components +\$ 98 <p>► See below and at right.</p> <p>1 Fabric on seat</p> <ul style="list-style-type: none"> Fabric price group 1 No cost Fabric price group 2 +\$ 17 Fabric price group 3 +\$ 49 Fabric price group 4 +\$ 63 Fabric price group 5 +\$ 85 Fabric price group 6 +\$ 106 Fabric price group 7 +\$ 126 Fabric price group 8 +\$ 161 Fabric price group 9 +\$ 197 Fabric price group 10 +\$ 227 Leather price group +\$1458 <ul style="list-style-type: none"> Vinyl +\$ 17 Customer's Own Material (COM) +\$ 27 Customer's Own Leather (COL) +\$ 27 		<p>Specify fabric color number.</p> <p>Specify fabric color number.</p> <p>Specify fabric color number.</p> <p>Specify fabric color number.</p> <p>Specify fabric color number.</p> <p>Specify fabric color number.</p> <p>Specify fabric color number.</p> <p>Specify fabric color number.</p> <p>Specify fabric color number.</p> <p>Specify fabric color number.</p> <p>Specify fabric color number.</p> <p>Add suffix L to style number and specify leather color number.</p> <p>Specify vinyl color number.</p> <p>► See <i>Understanding Customer's Own Material (COM)</i>, page 642.</p> <p>Add suffix L to style number and specify leather color number.</p> <hr/> <p>Add suffix M to lounge chair style number and select fabric color number for:</p> <ol style="list-style-type: none"> Seat Inner back Outer back <p>Example: TS31401M with 5G61 on seat, 5F15 on inner back, and 5G51 on outer back.</p> <p>Specify fabric color number.</p> <p>Specify fabric color number.</p> <p>Specify fabric color number.</p> <p>Specify fabric color number.</p> <p>Specify fabric color number.</p> <p>Specify fabric color number.</p> <p>Specify fabric color number.</p> <p>Specify fabric color number.</p> <p>Specify fabric color number.</p> <p>Specify fabric color number.</p> <p>Add suffix L to style number and specify leather color number.</p> <p>Specify vinyl color number.</p> <p>► See <i>Understanding Customer's Own Material (COM)</i>, page 642.</p> <p>Add suffix L to style number and specify leather color number.</p>

► Options, continued on next page

► Options, continued from previous page

	Options	U.S. Price	Required to Specify
Surface Materials, continued	② Fabric on inner back		
	• Fabric price group 1	No cost	Specify fabric color number.
	• Fabric price group 2	+\$ 9	Specify fabric color number.
	• Fabric price group 3	+\$ 35	Specify fabric color number.
	• Fabric price group 4	+\$ 47	Specify fabric color number.
	• Fabric price group 5	+\$ 60	Specify fabric color number.
	• Fabric price group 6	+\$ 73	Specify fabric color number.
	• Fabric price group 7	+\$ 87	Specify fabric color number.
	• Fabric price group 8	+\$108	Specify fabric color number.
	• Fabric price group 9	+\$136	Specify fabric color number.
	• Fabric price group 10	+\$159	Specify fabric color number.
	• Leather price group	+\$670	Add suffix L to style number and specify leather color number.
	• Vinyl	+\$ 9	Specify vinyl color number.
	• Customer's Own Material (COM)	+\$ 27	► See <i>Understanding Customer's Own Material (COM)</i> , page 642.
	• Customer's Own Leather (COL)	+\$ 27	Add suffix L to style number and specify leather color number.
	③ Fabric on outer back		
	• Fabric price group 1	No cost	Specify fabric color number.
	• Fabric price group 2	+\$ 7	Specify fabric color number.
	• Fabric price group 3	+\$ 22	Specify fabric color number.
	• Fabric price group 4	+\$ 36	Specify fabric color number.
	• Fabric price group 5	+\$ 46	Specify fabric color number.
	• Fabric price group 6	+\$ 56	Specify fabric color number.
• Fabric price group 7	+\$ 63	Specify fabric color number.	
• Fabric price group 8	+\$ 81	Specify fabric color number.	
• Fabric price group 9	+\$104	Specify fabric color number.	
• Fabric price group 10	+\$114	Specify fabric color number.	
• Leather price group	+\$929	Add suffix L to style number and specify leather color number.	
• Vinyl	+\$ 7	Specify vinyl color number.	
• Customer's Own Material (COM)	+\$ 27	► See <i>Understanding Customer's Own Material (COM)</i> , page 642.	
• Customer's Own Leather (COL)	+\$ 27	Add suffix L to style number and specify leather color number.	
	Tablet arm		
	• Low-Pressure Laminate	No cost	Specify Low-Pressure Laminate color number.
	• High-Pressure Laminate price group 1	No cost	Specify High-Pressure Laminate color number.
	• High-Pressure Laminate price group 2	See information at left	Specify High-Pressure Laminate color number.
	• Open Line laminate	+\$102 plus cost of laminate	► See <i>Surface Materials Reference Manual</i> .
	Legs		
	• Brushed aluminum legs	+\$167	Specify <i>with brushed aluminum legs</i> .
	• Solid square wood legs	+\$222	Specify <i>with solid square wood legs</i> and select 3412 Natural Cherry, 3522 Clear Maple, or 3762 Dark Walnut.
	• Solid round wood legs	+\$233	Specify <i>with solid round wood legs</i> and select V1AC Natural Cherry, V1AM Clear Maple, or V1EW Dark Walnut.
Related Products	• Ganging kit		► Page 615

For laminate group 2 and 3 pricing, please refer to the electronic catalog or SmartTools.

Tip: Brushed aluminum legs are adjustable and have 3/4" of height adjustment.

Tip: Wood legs are natural wood and may show variations in grain and color.

► Specification Information, on next page

**For Canadian Pricing**

Multiply U.S. Price by the Canadian price factor.

► See page 1 for details.

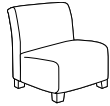
Jenny Lounge, continued

► Options, on previous page

Specification Information

Style Number LPL	U.S. Base Price	Style Number HPL	U.S. Base Price
------------------	-----------------	------------------	-----------------

Style Number LPL	U.S. Base Price	Style Number HPL	U.S. Base Price
------------------	-----------------	------------------	-----------------



Glides



Casters



Glides



Casters

With Glides

TS31401	\$1711	N.A.	N.A.
----------------	--------	------	------

With Two Casters and Two Glides

TS31401C	\$1780	N.A.	N.A.
-----------------	--------	------	------

With Tablet Arm with 180° Swivel

TS31401T	\$2102	TS31401H	\$2157
-----------------	--------	-----------------	--------

With Tablet Arm with 180° Swivel

TS31401CT	\$2171	TS31401CH	\$2226
------------------	--------	------------------	--------

► Detailed dimensions, page 592



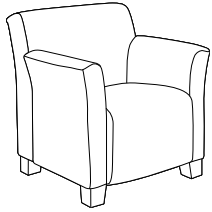
For Canadian Pricing

Multiply U.S. Price by the Canadian price factor.

► See page 1 for details.

Jenny Lounge, continued

With Arms



Tip: Jenny Lounge chairs are available with multiple fabrics.
 ▶ See at right to specify.

Tip: When specifying multiple COM fabrics, indicate all surfaces where COM applies.
 Example: TS31402M with Designtex 1234 on seat, Designtex 5678 on inner back, Designtex 9012 on outer back, and Designtex 9012 on arms.

Tip: When specifying multiple fabrics and leather, specify suffix **M** before suffix **L**.
 Example: TS31402ML becomes TS31402CML

▶ Detailed dimensions, page 592

Standard Includes **Required to Specify**

- | | | |
|--|---|--|
| ▶ Need help? Product details, page 588 | <ul style="list-style-type: none"> • Fully upholstered lounge chair with arms: fabric price group 1 • Hard dual-wheel casters or legs with glides: black plastic • Shipped fully assembled, some legs are field installed • Meets Cal. 117 requirements | 1 Style number
2 Fabric color number for upholstery
3 Options, if selected (see below)
▶ See <i>Surface Materials</i> , page 634. |
|--|---|--|

Options **U.S. Price** **Required to Specify**

Surface Materials	Single upholstery fabric	U.S. Price	Required to Specify
	• Fabric price group 1	No cost	Specify fabric color number.
	• Fabric price group 2	+\$ 69	Specify fabric color number.
	• Fabric price group 3	+\$ 164	Specify fabric color number.
	• Fabric price group 4	+\$ 231	Specify fabric color number.
	• Fabric price group 5	+\$ 301	Specify fabric color number.
	• Fabric price group 6	+\$ 362	Specify fabric color number.
	• Fabric price group 7	+\$ 434	Specify fabric color number.
	• Fabric price group 8	+\$ 546	Specify fabric color number.
	• Fabric price group 9	+\$ 682	Specify fabric color number.
	• Fabric price group 10	+\$ 775	Specify fabric color number.
	• Leather price group	+\$4630	Add suffix L to style number and specify leather color number.
	• Vinyl	+\$ 69	Specify vinyl color number.
	• Customer's Own Material (COM)	+\$ 56	▶ See <i>Understanding Customer's Own Material (COM)</i> , page 642.
	• Customer's Own Leather (COL)	+\$ 53	Add suffix L to style number and specify leather color number.

Multiple upholstery fabrics

- Two or more fabrics on different chair components +\$ 98
- ▶ See below and at right.

Add suffix **M** to lounge chair style number and select fabric color number for:

- 1 Seat
- 2 Inner back
- 3 Outer back
- 4 Arms

Example: TS31402M with 5G61 on seat, 5F15 on inner back, 5G51 on outer back, and 5F03 on arms.

1 Fabric on seat

- | | | |
|---------------------------------|---------|--|
| • Fabric price group 1 | No cost | |
| • Fabric price group 2 | +\$ 17 | |
| • Fabric price group 3 | +\$ 49 | |
| • Fabric price group 4 | +\$ 63 | |
| • Fabric price group 5 | +\$ 85 | |
| • Fabric price group 6 | +\$ 106 | |
| • Fabric price group 7 | +\$ 126 | |
| • Fabric price group 8 | +\$ 161 | |
| • Fabric price group 9 | +\$ 197 | |
| • Fabric price group 10 | +\$ 227 | |
| • Leather price group | +\$1321 | |
| • Vinyl | +\$ 17 | |
| • Customer's Own Material (COM) | +\$ 27 | |
| • Customer's Own Leather (COL) | +\$ 27 | |

Specify fabric color number.
 Specify fabric color number.
 Specify fabric color number.
 Specify fabric color number.
 Specify fabric color number.
 Specify fabric color number.
 Specify fabric color number.
 Specify fabric color number.
 Specify fabric color number.
 Specify fabric color number.
 Specify fabric color number.
 Add suffix **L** to style number and specify leather color number.
 Specify vinyl color number.

▶ See *Understanding Customer's Own Material (COM)*, page 642.
 Add suffix **L** to style number and specify leather color number.

▶ Options, continued on next page

For Canadian Pricing
 Multiply U.S. Price by the Canadian price factor.
 ▶ See page 1 for details.

► Options, continued from previous page

	Options	U.S. Price	Required to Specify
Surface Materials, continued	② Fabric on inner back		
	• Fabric price group 1	No cost	Specify fabric color number.
	• Fabric price group 2	+\$ 9	Specify fabric color number.
	• Fabric price group 3	+\$ 35	Specify fabric color number.
	• Fabric price group 4	+\$ 47	Specify fabric color number.
	• Fabric price group 5	+\$ 60	Specify fabric color number.
	• Fabric price group 6	+\$ 73	Specify fabric color number.
	• Fabric price group 7	+\$ 87	Specify fabric color number.
	• Fabric price group 8	+\$ 108	Specify fabric color number.
	• Fabric price group 9	+\$ 136	Specify fabric color number.
	• Fabric price group 10	+\$ 159	Specify fabric color number.
	• Leather price group	+\$ 670	Add suffix L to style number and specify leather color number.
	• Vinyl	+\$ 9	Specify vinyl color number.
	• Customer's Own Material (COM)	+\$ 27	► See <i>Understanding Customer's Own Material (COM)</i> , page 642.
	• Customer's Own Leather (COL)	+\$ 27	Add suffix L to style number and specify leather color number.
	③ Fabric on outer back		
	• Fabric price group 1	No cost	Specify fabric color number.
	• Fabric price group 2	+\$ 7	Specify fabric color number.
	• Fabric price group 3	+\$ 22	Specify fabric color number.
	• Fabric price group 4	+\$ 36	Specify fabric color number.
	• Fabric price group 5	+\$ 46	Specify fabric color number.
	• Fabric price group 6	+\$ 56	Specify fabric color number.
	• Fabric price group 7	+\$ 63	Specify fabric color number.
	• Fabric price group 8	+\$ 81	Specify fabric color number.
	• Fabric price group 9	+\$ 104	Specify fabric color number.
	• Fabric price group 10	+\$ 114	Specify fabric color number.
	• Leather price group	+\$ 929	Add suffix L to style number and specify leather color number.
• Vinyl	+\$ 7	Specify vinyl color number.	
• Customer's Own Material (COM)	+\$ 27	► See <i>Understanding Customer's Own Material (COM)</i> , page 642.	
• Customer's Own Leather (COL)	+\$ 27	Add suffix L to style number and specify leather color number.	
④ Fabric on arms			
• Fabric price group 1	No cost	Specify fabric color number.	
• Fabric price group 2	+\$ 23	Specify fabric color number.	
• Fabric price group 3	+\$ 59	Specify fabric color number.	
• Fabric price group 4	+\$ 81	Specify fabric color number.	
• Fabric price group 5	+\$ 107	Specify fabric color number.	
• Fabric price group 6	+\$ 132	Specify fabric color number.	
• Fabric price group 7	+\$ 160	Specify fabric color number.	
• Fabric price group 8	+\$ 196	Specify fabric color number.	
• Fabric price group 9	+\$ 246	Specify fabric color number.	
• Fabric price group 10	+\$ 278	Specify fabric color number.	
• Leather price group	+\$1770	Add suffix L to style number and specify leather color number.	
• Vinyl	+\$ 23	Specify vinyl color number.	
• Customer's Own Material (COM)	+\$ 27	► See <i>Understanding Customer's Own Material (COM)</i> , page 642.	
• Customer's Own Leather (COL)	+\$ 27	Add suffix L to style number and specify leather color number.	
Tablet arm			
• Low-Pressure Laminate	No cost	Specify Low-Pressure Laminate color number.	
• High-Pressure Laminate price group 1	No cost	Specify High-Pressure Laminate color number.	
• High-Pressure Laminate price group 2	See information at left	Specify High-Pressure Laminate color number.	
• Open Line laminate	+\$ 102 plus cost of laminate	► See <i>Surface Materials Reference Manual</i> .	

For laminate group 2 and 3 pricing, please refer to the electronic catalog or SmartTools.

► Options, continued on next page

Jenny Lounge, continued

► Options, continued from previous page

Tip: Brushed aluminum legs are adjustable and have 3/4" of height adjustment.

Tip: Wood legs are natural wood and may show variations in grain and color.

Options	U.S. Price	Required to Specify
Surface Materials, continued		
Legs		
• Brushed aluminum legs	+\$167	Specify with brushed aluminum legs. Specify with solid square wood legs and select 3412 Natural Cherry, 3522 Clear Maple, or 3762 Dark Walnut. Specify with solid round wood legs and select V1AC Natural Cherry, V1AM Clear Maple, or V1EW Dark Walnut.
• Solid square wood legs	+\$222	
• Solid round wood legs	+\$233	

Specification Information

Style Number	U.S. Base Price	Style Number	U.S. Base Price



Glides



Casters

With Glides

TS31402	\$1917
----------------	--------

With Two Casters and Two Glides

TS31402C	\$1986
-----------------	--------



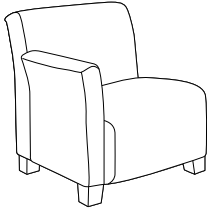
For Canadian Pricing

Multiply U.S. Price by the Canadian price factor.

► See page 1 for details.

Jenny Lounge, continued

With Arm Left or Right



Tip: Jenny Lounge chairs are available with multiple fabrics.

▶ See at right to specify.

Tip: When specifying multiple COM fabrics, indicate all surfaces where COM applies.

Example: TS31403M with Designtex 1234 on seat, Designtex 5678 on inner back, Designtex 9012 on outer back, and Designtex 9012 on arm.

Tip: When specifying multiple fabrics and leather, specify suffix **M** before suffix **L**.

Example: TS31403L becomes TS31403ML

▶ Detailed dimensions, page 592



For Canadian Pricing

Multiply U.S. Price by the Canadian price factor.

▶ See page 1 for details.

Standard Includes	Required to Specify
<p>▶ Need help? Product details, page 588</p> <ul style="list-style-type: none"> Fully upholstered lounge chair with arm left or right: fabric price group 1 Tablet arm, if selected: Low-Pressure Laminate (LPL), or High-Pressure Laminate (HPL) price group 1 3 mm edge band for tablet arm, if selected: plastic Hard dual-wheel casters or legs with glides: black plastic Shipped fully assembled, some legs are field installed <i>Tablet arm is shipped ready to assemble.</i> Meets Cal. 117 requirements 	<ol style="list-style-type: none"> Style number Fabric color number for upholstery Low-Pressure Laminate or High-Pressure Laminate color number for tablet arm, if selected Plastic edge band color number for tablet arm, if selected Options, if selected (see below) ▶ See <i>Surface Materials</i>, page 634.

Surface Materials	Options	U.S. Price	Required to Specify
	<p>Single upholstery fabric</p> <ul style="list-style-type: none"> Fabric price group 1 Fabric price group 2 Fabric price group 3 Fabric price group 4 Fabric price group 5 Fabric price group 6 Fabric price group 7 Fabric price group 8 Fabric price group 9 Fabric price group 10 Leather price group 	<p>No cost</p> <p>+\$ 57</p> <p>+\$ 133</p> <p>+\$ 186</p> <p>+\$ 245</p> <p>+\$ 302</p> <p>+\$ 356</p> <p>+\$ 446</p> <p>+\$ 561</p> <p>+\$ 633</p> <p>+\$3856</p>	<p>Specify fabric color number.</p> <p>Specify fabric color number.</p> <p>Specify fabric color number.</p> <p>Specify fabric color number.</p> <p>Specify fabric color number.</p> <p>Specify fabric color number.</p> <p>Specify fabric color number.</p> <p>Specify fabric color number.</p> <p>Specify fabric color number.</p> <p>Specify fabric color number.</p> <p>Add suffix L to style number and specify leather color number.</p> <p>Specify vinyl color number.</p> <p>▶ See <i>Understanding Customer's Own Material (COM)</i>, page 642.</p> <p>Add suffix L to style number and specify leather color number.</p>
	<ul style="list-style-type: none"> Vinyl Customer's Own Material (COM) Customer's Own Leather (COL) 	<p>+\$ 57</p> <p>+\$ 56</p> <p>+\$ 53</p>	<p>▶ See <i>Understanding Customer's Own Material (COM)</i>, page 642.</p> <p>Add suffix L to style number and specify leather color number.</p>
	<p>Multiple upholstery fabrics</p> <ul style="list-style-type: none"> Two or more fabrics on different chair components <p>▶ See below and at right.</p>	<p>+\$ 98</p>	<p>Add suffix M to lounge chair style number and select fabric color number for:</p> <ol style="list-style-type: none"> Seat Inner back Outer back Arm <p>Example: TS31403M with 5G61 on seat, 5F15 on inner back, 5G51 on outer back, and 5F03 on arm.</p>
	<p>1 Fabric on seat</p> <ul style="list-style-type: none"> Fabric price group 1 Fabric price group 2 Fabric price group 3 Fabric price group 4 Fabric price group 5 Fabric price group 6 Fabric price group 7 Fabric price group 8 Fabric price group 9 Fabric price group 10 Leather price group 	<p>No cost</p> <p>+\$ 17</p> <p>+\$ 49</p> <p>+\$ 63</p> <p>+\$ 85</p> <p>+\$ 106</p> <p>+\$ 126</p> <p>+\$ 161</p> <p>+\$ 197</p> <p>+\$ 227</p> <p>+\$1430</p>	<p>Specify fabric color number.</p> <p>Specify fabric color number.</p> <p>Specify fabric color number.</p> <p>Specify fabric color number.</p> <p>Specify fabric color number.</p> <p>Specify fabric color number.</p> <p>Specify fabric color number.</p> <p>Specify fabric color number.</p> <p>Specify fabric color number.</p> <p>Specify fabric color number.</p> <p>Add suffix L to style number and specify leather color number.</p> <p>Specify vinyl color number.</p> <p>▶ See <i>Understanding Customer's Own Material (COM)</i>, page 642.</p> <p>Add suffix L to style number and specify leather color number.</p>
	<ul style="list-style-type: none"> Vinyl Customer's Own Material (COM) Customer's Own Leather (COL) 	<p>+\$ 17</p> <p>+\$ 27</p> <p>+\$ 27</p>	<p>▶ See <i>Understanding Customer's Own Material (COM)</i>, page 642.</p> <p>Add suffix L to style number and specify leather color number.</p>

▶ Options, continued on next page

► Options, continued from previous page

	Options	U.S. Price	Required to Specify
Surface Materials, continued	② Fabric on inner back		
	• Fabric price group 1	No cost	Specify fabric color number.
	• Fabric price group 2	+\$ 9	Specify fabric color number.
	• Fabric price group 3	+\$ 35	Specify fabric color number.
	• Fabric price group 4	+\$ 47	Specify fabric color number.
	• Fabric price group 5	+\$ 60	Specify fabric color number.
	• Fabric price group 6	+\$ 73	Specify fabric color number.
	• Fabric price group 7	+\$ 87	Specify fabric color number.
	• Fabric price group 8	+\$108	Specify fabric color number.
	• Fabric price group 9	+\$136	Specify fabric color number.
	• Fabric price group 10	+\$159	Specify fabric color number.
	• Leather price group	+\$670	Add suffix L to style number and specify leather color number.
	• Vinyl	+\$ 9	Specify vinyl color number.
	• Customer's Own Material (COM)	+\$ 27	► See <i>Understanding Customer's Own Material (COM)</i> , page 642.
	• Customer's Own Leather (COL)	+\$ 27	Add suffix L to style number and specify leather color number.
	③ Fabric on outer back		
	• Fabric price group 1	No cost	Specify fabric color number.
	• Fabric price group 2	+\$ 7	Specify fabric color number.
	• Fabric price group 3	+\$ 22	Specify fabric color number.
	• Fabric price group 4	+\$ 36	Specify fabric color number.
	• Fabric price group 5	+\$ 46	Specify fabric color number.
	• Fabric price group 6	+\$ 56	Specify fabric color number.
	• Fabric price group 7	+\$ 63	Specify fabric color number.
	• Fabric price group 8	+\$ 81	Specify fabric color number.
	• Fabric price group 9	+\$104	Specify fabric color number.
	• Fabric price group 10	+\$114	Specify fabric color number.
	• Leather price group	+\$929	Add suffix L to style number and specify leather color number.
• Vinyl	+\$ 7	Specify vinyl color number.	
• Customer's Own Material (COM)	+\$ 27	► See <i>Understanding Customer's Own Material (COM)</i> , page 642.	
• Customer's Own Leather (COL)	+\$ 27	Add suffix L to style number and specify leather color number.	
④ Fabric on arm			
• Fabric price group 1	No cost	Specify fabric color number.	
• Fabric price group 2	+\$ 8	Specify fabric color number.	
• Fabric price group 3	+\$ 34	Specify fabric color number.	
• Fabric price group 4	+\$ 46	Specify fabric color number.	
• Fabric price group 5	+\$ 57	Specify fabric color number.	
• Fabric price group 6	+\$ 69	Specify fabric color number.	
• Fabric price group 7	+\$ 81	Specify fabric color number.	
• Fabric price group 8	+\$105	Specify fabric color number.	
• Fabric price group 9	+\$130	Specify fabric color number.	
• Fabric price group 10	+\$144	Specify fabric color number.	
• Leather price group	+\$884	Add suffix L to style number and specify leather color number.	
• Vinyl	+\$ 8	Specify vinyl color number.	
• Customer's Own Material (COM)	+\$ 27	► See <i>Understanding Customer's Own Material (COM)</i> , page 642.	
• Customer's Own Leather (COL)	+\$ 27	Add suffix L to style number and specify leather color number.	
Tablet arm			
• Low-Pressure Laminate	No cost	Specify Low-Pressure Laminate color number.	
• High-Pressure Laminate price group 1	No cost	Specify High-Pressure Laminate color number.	
• High-Pressure Laminate price group 2	See information at left	Specify High-Pressure Laminate color number.	
• Open Line laminate	+\$102 plus cost of laminate	► See <i>Surface Materials Reference Manual</i> .	

For laminate group 2 and 3 pricing, please refer to the electronic catalog or SmartTools.

► Options, continued on next page

Jenny Lounge, continued

► Options, continued from previous page

Options	U.S. Price	Required to Specify
Surface Materials, continued		
Legs		
• Brushed aluminum legs	+\$167	Specify with brushed aluminum legs. Specify with solid square wood legs and select 3412 Natural Cherry, 3522 Clear Maple, or 3762 Dark Walnut. Specify with solid round wood legs and select V1AC Natural Cherry, V1AM Clear Maple, or V1EW Dark Walnut.
• Solid square wood legs	+\$222	
• Solid round wood legs	+\$233	

Tip: Brushed aluminum legs are adjustable and have 3/4" of height adjustment.

Tip: Wood legs are natural wood and may show variations in grain and color.

Related Products • Ganging kit ► Page 615

Specification Information

Style Number LPL	U.S. Base Price	Style Number HPL	U.S. Base Price	Style Number LPL	U.S. Base Price	Style Number HPL	U.S. Base Price
------------------	-----------------	------------------	-----------------	------------------	-----------------	------------------	-----------------

With Glides

Arm Right			
TS31403	\$1812	N.A.	N.A.



Glides



Casters

Tip: Casters are not retrofittable on style number TS31403.

With Two Casters and Two Glides

Arm Right			
TS31403C	\$1881	N.A.	N.A.

Arm Right with Tablet Arm with 180° Swivel

TS31403T	\$2203	TS31403H	\$2258
-----------------	--------	-----------------	--------



Glides



Casters

Arm Right with Tablet Arm with 180° Swivel

TS31403CT	\$2272	TS31403CH	\$2327
------------------	--------	------------------	--------

Arm Left

TS31404	\$1812	N.A.	N.A.
----------------	--------	------	------



Glides



Casters

Tip: Casters are not retrofittable on style number TS31404.

Arm Left

TS31404C	\$1881	N.A.	N.A.
-----------------	--------	------	------

Arm Left with Tablet Arm with 180° Swivel

TS31404T	\$2203	TS31404H	\$2258
-----------------	--------	-----------------	--------



Glides



Casters

Tip: Tablet is 8 1/2"W x 15 1/2"L and 3/4" thick.



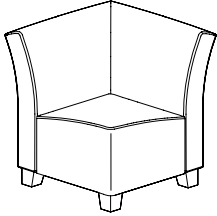
For Canadian Pricing

Multiply U.S. Price by the Canadian price factor.

► See page 1 for details.

Jenny Lounge, continued

Corner



Tip: Jenny Lounge chairs are available with multiple fabrics.

▶ See at right to specify.

Tip: When specifying multiple COM fabrics, indicate all surfaces where COM applies. Example: TS31406M with Designtex 1234 on seat, Designtex 5678 on inner back, and Designtex 9012 on outer back.

Tip: When specifying multiple fabrics and leather, specify suffix M before suffix L. Example: TS31406L becomes TS31406ML

▶ Detailed dimensions, page 592

Standard Includes	Required to Specify
<p>▶ Need help? Product details, page 588</p> <ul style="list-style-type: none"> Fully upholstered lounge chair: fabric price group 1 Hard dual-wheel casters or legs with glides: black plastic Shipped fully assembled, some legs are field installed Meets Cal. 117 requirements 	<ul style="list-style-type: none"> 1 Style number 2 Fabric color number for upholstery 3 Options, if selected (see below) <p>▶ See <i>Surface Materials</i>, page 634.</p>

Surface Materials	Options	U.S. Price	Required to Specify
	Single upholstery fabric		Specify fabric color number. Specify fabric color number. Specify fabric color number. Specify fabric color number. Specify fabric color number. Specify fabric color number. Specify fabric color number. Specify fabric color number. Specify fabric color number. Specify fabric color number. Specify fabric color number. Add suffix L to style number and specify leather color number. Specify vinyl color number. ▶ See <i>Understanding Customer's Own Material (COM)</i> , page 642. Add suffix L to style number and specify leather color number.
	• Fabric price group 1	No cost	
	• Fabric price group 2	+\$ 47	
	• Fabric price group 3	+\$ 105	
	• Fabric price group 4	+\$ 144	
	• Fabric price group 5	+\$ 187	
	• Fabric price group 6	+\$ 234	
	• Fabric price group 7	+\$ 277	
	• Fabric price group 8	+\$ 349	
	• Fabric price group 9	+\$ 437	
	• Fabric price group 10	+\$ 494	
	• Leather price group	+\$2996	
	• Vinyl	+\$ 47	
	• Customer's Own Material (COM)	+\$ 56	
	• Customer's Own Leather (COL)	+\$ 53	

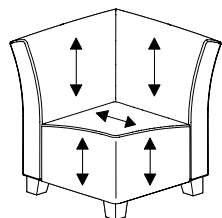
	Multiple upholstery fabrics		Add suffix M to lounge chair style number and select fabric color number for: ① Seat ② Inner back ③ Outer back Example: TS31406M with 5G61 on seat, 5F15 on inner back, and 5G51 on outer back.
	• Two or more fabrics on different chair components	+\$ 98	

	① Fabric on seat		Specify fabric color number. Specify fabric color number. Specify fabric color number. Specify fabric color number. Specify fabric color number. Specify fabric color number. Specify fabric color number. Specify fabric color number. Specify fabric color number. Specify fabric color number. Specify fabric color number. Add suffix L to style number and specify leather color number. Specify vinyl color number. ▶ See <i>Understanding Customer's Own Material (COM)</i> , page 642. Add suffix L to style number and specify leather color number.
	• Fabric price group 1	No cost	
	• Fabric price group 2	+\$ 17	
	• Fabric price group 3	+\$ 49	
	• Fabric price group 4	+\$ 63	
	• Fabric price group 5	+\$ 85	
	• Fabric price group 6	+\$ 106	
	• Fabric price group 7	+\$ 126	
	• Fabric price group 8	+\$ 161	
	• Fabric price group 9	+\$ 197	
	• Fabric price group 10	+\$ 227	
	• Leather price group	+\$1458	
	• Vinyl	+\$ 17	
	• Customer's Own Material (COM)	+\$ 27	
	• Customer's Own Leather (COL)	+\$ 27	

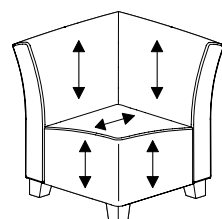
▶ Options, continued on next page

For Canadian Pricing
 Multiply U.S. Price by the Canadian price factor.
 ▶ See page 1 for details.

► Options, continued from previous page



Tip: Standard seat fabric directionality is applied as the diagram above indicates (ex. TS31406).



Tip: Reverse seat fabric directionality is applied as the diagram above indicates (ex. TS31426).

Tip: Brushed aluminum legs are adjustable and have 3/4" of height adjustment.

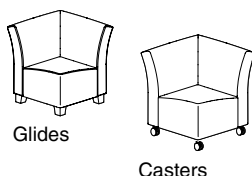
Tip: Wood legs are natural wood and may show variations in grain and color.

Options	U.S. Price	Required to Specify
Surface Materials, continued		
② Fabric on inner back		
• Fabric price group 1	No cost	Specify fabric color number.
• Fabric price group 2	+\$ 9	Specify fabric color number.
• Fabric price group 3	+\$ 35	Specify fabric color number.
• Fabric price group 4	+\$ 47	Specify fabric color number.
• Fabric price group 5	+\$ 60	Specify fabric color number.
• Fabric price group 6	+\$ 73	Specify fabric color number.
• Fabric price group 7	+\$ 87	Specify fabric color number.
• Fabric price group 8	+\$108	Specify fabric color number.
• Fabric price group 9	+\$136	Specify fabric color number.
• Fabric price group 10	+\$159	Specify fabric color number.
• Leather price group	+\$670	Add suffix L to style number and specify leather color number.
• Vinyl	+\$ 9	Specify vinyl color number.
• Customer's Own Material (COM)	+\$ 27	► See <i>Understanding Customer's Own Material (COM)</i> , page 642.
• Customer's Own Leather (COL)	+\$ 27	Add suffix L to style number and specify leather color number.
③ Fabric on outer back		
• Fabric price group 1	No cost	Specify fabric color number.
• Fabric price group 2	+\$ 7	Specify fabric color number.
• Fabric price group 3	+\$ 22	Specify fabric color number.
• Fabric price group 4	+\$ 36	Specify fabric color number.
• Fabric price group 5	+\$ 46	Specify fabric color number.
• Fabric price group 6	+\$ 56	Specify fabric color number.
• Fabric price group 7	+\$ 63	Specify fabric color number.
• Fabric price group 8	+\$ 81	Specify fabric color number.
• Fabric price group 9	+\$104	Specify fabric color number.
• Fabric price group 10	+\$114	Specify fabric color number.
• Leather price group	+\$929	Add suffix L to style number and specify leather color number.
• Vinyl	+\$ 7	Specify vinyl color number.
• Customer's Own Material (COM)	+\$ 27	► See <i>Understanding Customer's Own Material (COM)</i> , page 642.
• Customer's Own Leather (COL)	+\$ 27	Add suffix L to style number and specify leather color number.
Legs		
• Brushed aluminum legs	+\$167	Specify <i>with brushed aluminum legs</i> .
• Solid square wood legs	+\$222	Specify <i>with solid square wood legs</i> and select 3412 Natural Cherry, 3522 Clear Maple, or 3762 Dark Walnut.
• Solid round wood legs	+\$233	Specify <i>with solid round wood legs</i> and select V1AC Natural Cherry, V1AM Clear Maple, or V1EW Dark Walnut.

Related Products • Ganging kit ► Page 615

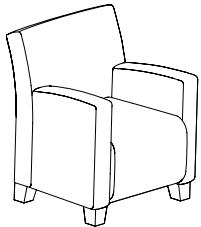
Specification Information

Style Number	U.S. Base Price	Style Number	U.S. Base Price
Standard Seat Fabric Directionality			
With Glides			
TS31406	\$1814	With Casters	
		TS31406C	\$1883
Reverse Seat Fabric Directionality			
With Glides			
TS31426	\$1814	With Casters	
		TS31426C	\$1883



For Canadian Pricing
Multiply U.S. Price by the Canadian price factor.
► See page 1 for details.

Club



Tip: Jenny Lounge chairs are available with multiple fabrics.

▶ See at right to specify.

Tip: When specifying multiple COM fabrics, indicate all surfaces where COM applies.

Example: TS31407M with Designtex 1234 on seat, Designtex 5678 on inner back, Designtex 9012 on outer back, and Designtex 9012 on arms.

Tip: When specifying multiple fabrics and leather, specify suffix **M** before suffix **L**.

Example: TS31407L becomes TS31407ML

▶ Detailed dimensions, page 592



For Canadian Pricing

Multiply U.S. Price by the Canadian price factor.

▶ See page 1 for details.

Standard Includes **Required to Specify**

- | | | |
|---|---|---|
| <p>▶ Need help? Product details, page 588</p> | <ul style="list-style-type: none"> • Fully upholstered lounge chair with arms: fabric price group 1 • Deck stitch detail • Hard dual wheel casters or legs with glides: black plastic • Shipped fully assembled, some legs are field installed • Meets Cal. 117 requirements | <p>1 Style number
2 Fabric color number for upholstery
3 Options, if selected (see below)
▶ See <i>Surface Materials</i>, page 634.</p> |
|---|---|---|

Options **U.S. Price** **Required to Specify**

Surface Materials	Single upholstery fabric		
	• Fabric price group 1	No cost	Specify fabric color number.
	• Fabric price group 2	+\$ 69	Specify fabric color number.
	• Fabric price group 3	+\$ 164	Specify fabric color number.
	• Fabric price group 4	+\$ 231	Specify fabric color number.
	• Fabric price group 5	+\$ 301	Specify fabric color number.
	• Fabric price group 6	+\$ 362	Specify fabric color number.
	• Fabric price group 7	+\$ 434	Specify fabric color number.
	• Fabric price group 8	+\$ 546	Specify fabric color number.
	• Fabric price group 9	+\$ 682	Specify fabric color number.
	• Fabric price group 10	+\$ 775	Specify fabric color number.
	• Leather price group	+\$4630	Add suffix L to style number and specify leather color number.
	• Vinyl	+\$ 69	Specify vinyl color number.
	• Customer's Own Material (COM)	+\$ 56	▶ See <i>Understanding Customer's Own Material (COM)</i> , page 642.
	• Customer's Own Leather (COL)	+\$ 53	Add suffix L to style number and specify leather color number.
	Multiple upholstery fabrics		
	• Two or more fabrics on different chair components	+\$ 98	Add suffix M to lounge chair style number and select fabric color number for:
	▶ See below and at right.		<ol style="list-style-type: none"> 1 Seat 2 Inner back 3 Outer back 4 Arms <p>Example: TS31407M with 5G61 on seat, 5F15 on inner back, 5G51 on outer back, and 5F03 on arms.</p>
	1 Fabric on seat		
	• Fabric price group 1	No cost	Specify fabric color number.
	• Fabric price group 2	+\$ 17	Specify fabric color number.
	• Fabric price group 3	+\$ 49	Specify fabric color number.
	• Fabric price group 4	+\$ 63	Specify fabric color number.
	• Fabric price group 5	+\$ 85	Specify fabric color number.
	• Fabric price group 6	+\$ 106	Specify fabric color number.
	• Fabric price group 7	+\$ 126	Specify fabric color number.
	• Fabric price group 8	+\$ 161	Specify fabric color number.
	• Fabric price group 9	+\$ 197	Specify fabric color number.
	• Fabric price group 10	+\$ 227	Specify fabric color number.
	• Leather price group	+\$1321	Add suffix L to style number and specify leather color number.
	• Vinyl	+\$ 17	Specify vinyl color number.
	• Customer's Own Material (COM)	+\$ 27	▶ See <i>Understanding Customer's Own Material (COM)</i> , page 642.
	• Customer's Own Leather (COL)	+\$ 27	Add suffix L to style number and specify leather color number.

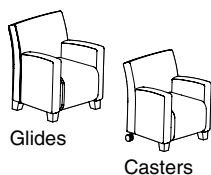
▶ **Options, continued on next page**

► Options, continued from previous page

	Options	U.S. Price	Required to Specify
Surface Materials, continued	2 Fabric on inner back		
	• Fabric price group 1	No cost	Specify fabric color number.
	• Fabric price group 2	+\$ 9	Specify fabric color number.
	• Fabric price group 3	+\$ 35	Specify fabric color number.
	• Fabric price group 4	+\$ 47	Specify fabric color number.
	• Fabric price group 5	+\$ 60	Specify fabric color number.
	• Fabric price group 6	+\$ 73	Specify fabric color number.
	• Fabric price group 7	+\$ 87	Specify fabric color number.
	• Fabric price group 8	+\$ 108	Specify fabric color number.
	• Fabric price group 9	+\$ 136	Specify fabric color number.
	• Fabric price group 10	+\$ 159	Specify fabric color number.
	• Leather price group	+\$ 670	Add suffix L to style number and specify leather color number.
	• Vinyl	+\$ 9	Specify vinyl color number.
	• Customer's Own Material (COM)	+\$ 27	► See <i>Understanding Customer's Own Material (COM)</i> , page 642.
	• Customer's Own Leather (COL)	+\$ 27	Add suffix L to style number and specify leather color number.
	3 Fabric on outer back		
	• Fabric price group 1	No cost	Specify fabric color number.
	• Fabric price group 2	+\$ 7	Specify fabric color number.
	• Fabric price group 3	+\$ 22	Specify fabric color number.
	• Fabric price group 4	+\$ 36	Specify fabric color number.
• Fabric price group 5	+\$ 46	Specify fabric color number.	
• Fabric price group 6	+\$ 56	Specify fabric color number.	
• Fabric price group 7	+\$ 63	Specify fabric color number.	
• Fabric price group 8	+\$ 81	Specify fabric color number.	
• Fabric price group 9	+\$ 104	Specify fabric color number.	
• Fabric price group 10	+\$ 114	Specify fabric color number.	
• Leather price group	+\$ 929	Add suffix L to style number and specify leather color number.	
• Vinyl	+\$ 7	Specify vinyl color number.	
• Customer's Own Material (COM)	+\$ 27	► See <i>Understanding Customer's Own Material (COM)</i> , page 642.	
• Customer's Own Leather (COL)	+\$ 27	Add suffix L to style number and specify leather color number.	
4 Fabric on arms			
• Fabric price group 1	No cost	Specify fabric color number.	
• Fabric price group 2	+\$ 23	Specify fabric color number.	
• Fabric price group 3	+\$ 59	Specify fabric color number.	
• Fabric price group 4	+\$ 81	Specify fabric color number.	
• Fabric price group 5	+\$ 107	Specify fabric color number.	
• Fabric price group 6	+\$ 132	Specify fabric color number.	
• Fabric price group 7	+\$ 160	Specify fabric color number.	
• Fabric price group 8	+\$ 196	Specify fabric color number.	
• Fabric price group 9	+\$ 246	Specify fabric color number.	
• Fabric price group 10	+\$ 278	Specify fabric color number.	
• Leather price group	+\$1770	Add suffix L to style number and specify leather color number.	
• Vinyl	+\$ 23	Specify vinyl color number.	
• Customer's Own Material (COM)	+\$ 27	► See <i>Understanding Customer's Own Material (COM)</i> , page 642.	
• Customer's Own Leather (COL)	+\$ 27	Add suffix L to style number and specify leather color number.	
Legs			
• Brushed aluminum legs	+\$ 167	Specify with <i>brushed aluminum legs</i> .	
• Solid square wood legs	+\$ 222	Specify with <i>solid square wood legs</i> and select 3412 Natural Cherry, 3522 Clear Maple, or 3762 Dark Walnut.	
• Solid round wood legs	+\$ 233	Specify with <i>solid round wood legs</i> and select V1AC Natural Cherry, V1AM Clear Maple, or V1EW Dark Walnut.	

Tip: Brushed aluminum legs are adjustable and have 3/4" of height adjustment.

Tip: Wood legs are natural wood and may show variations in grain and color.

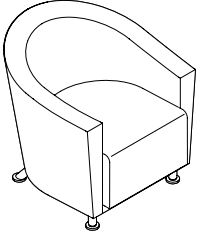


Specification Information

• Style Number	• U.S. Base Price	• Style Number	• U.S. Base Price
With Glides		With Two Casters and Two Glides	
TS31407	\$1917	TS31407C	\$1986

Jenny Lounge, continued

Round



Tip: Jenny Round chairs are available with multiple fabrics.
 ▶ See at right to specify.

Tip: When specifying multiple COM fabrics, indicate all surfaces where COM applies.
 Example: TS31407M with Designtex 1234 on seat, Designtex 5678 on inner back, Designtex 9012 on outer back, and Designtex 9012 on arms.

Tip: When specifying multiple fabrics and leather, specify suffix **M** before suffix **L**.
 Example: TS31409L becomes TS31409ML

▶ Detailed dimensions, page 592

Standard Includes **Required to Specify**

- | | | |
|--|--|--|
| ▶ Need help? Product details, page 588 | <ul style="list-style-type: none"> • Fully upholstered Round chair with arms: fabric price group 1 • Shipped fully assembled, legs are field installed • Meets Cal. 117 requirements • Brushed aluminum legs • Deck stitch detail | 1 Style number
2 Fabric color number for upholstery
3 Options, if selected (see below)
▶ See <i>Surface Materials</i> , page 634. |
|--|--|--|

Options **U.S. Price** **Required to Specify**

Surface Materials	Single upholstery fabric	U.S. Price	Required to Specify
	• Fabric price group 1	No cost	Specify fabric color number.
	• Fabric price group 2	+\$ 69	Specify fabric color number.
	• Fabric price group 3	+\$ 164	Specify fabric color number.
	• Fabric price group 4	+\$ 231	Specify fabric color number.
	• Fabric price group 5	+\$ 301	Specify fabric color number.
	• Fabric price group 6	+\$ 362	Specify fabric color number.
	• Fabric price group 7	+\$ 434	Specify fabric color number.
	• Fabric price group 8	+\$ 546	Specify fabric color number.
	• Fabric price group 9	+\$ 682	Specify fabric color number.
	• Fabric price group 10	+\$ 775	Specify fabric color number.
	• Leather price group	+\$4686	Specify fabric color number. Add suffix L to style number and specify leather color number.
	• Vinyl	+\$ 69	Specify vinyl color number.
	• Customer's Own Material (COM)	+\$ 56	▶ See <i>Understanding Customer's Own Material (COM)</i> , page 642.
	• Customer's Own Leather (COL)	+\$ 53	Add suffix L to style number and specify leather color number.

Multiple upholstery fabrics

- Two or more fabrics on different chair components +\$ 98
- ▶ See below and at right.

Add suffix **M** to Round chair style number and select fabric color number for:

- ① Seat
- ② Inner back
- ③ Outer back

Example: TS31409M with 5G61 on seat, 5F15 on inner back, and 5G51 on outer back.

① **Fabric on seat**

- | | | |
|---------------------------------|---------|---|
| • Fabric price group 1 | No cost | |
| • Fabric price group 2 | +\$ 23 | Specify fabric color number. |
| • Fabric price group 3 | +\$ 49 | Specify fabric color number. |
| • Fabric price group 4 | +\$ 92 | Specify fabric color number. |
| • Fabric price group 5 | +\$ 113 | Specify fabric color number. |
| • Fabric price group 6 | +\$ 130 | Specify fabric color number. |
| • Fabric price group 7 | +\$ 161 | Specify fabric color number. |
| • Fabric price group 8 | +\$ 197 | Specify fabric color number. |
| • Fabric price group 9 | +\$ 227 | Specify fabric color number. |
| • Fabric price group 10 | +\$ 254 | Specify fabric color number. |
| • Leather price group | +\$1542 | Specify fabric color number.
Add suffix L to style number and specify leather color number. |
| • Vinyl | +\$ 23 | Specify vinyl color number. |
| • Customer's Own Material (COM) | +\$ 27 | ▶ See <i>Understanding Customer's Own Material (COM)</i> , page 642. |
| • Customer's Own Leather (COL) | +\$ 27 | Add suffix L to style number and specify leather color number. |

▶ **Options, continued on next page**



For Canadian Pricing

Multiply U.S. Price by the Canadian price factor.

▶ See page 1 for details.

► Options, continued from previous page

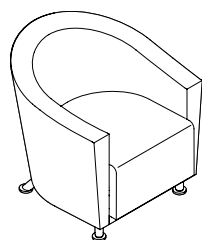
	Options	U.S. Price	Required to Specify
Surface Materials, continued	② Fabric on inner back		
	• Fabric price group 1	No cost	Specify fabric color number.
	• Fabric price group 2	+\$ 24	Specify fabric color number.
	• Fabric price group 3	+\$ 57	Specify fabric color number.
	• Fabric price group 4	+\$ 66	Specify fabric color number.
	• Fabric price group 5	+\$ 78	Specify fabric color number.
	• Fabric price group 6	+\$ 98	Specify fabric color number.
	• Fabric price group 7	+\$ 104	Specify fabric color number.
	• Fabric price group 8	+\$ 119	Specify fabric color number.
	• Fabric price group 9	+\$ 136	Specify fabric color number.
	• Fabric price group 10	+\$ 159	Specify fabric color number.
	• Leather price group	+\$ 912	Add suffix L to style number and specify leather color number.
	• Vinyl	+\$ 24	Specify vinyl color number.
	• Customer's Own Material (COM)	+\$ 27	► See <i>Understanding Customer's Own Material (COM)</i> , page 642.
	• Customer's Own Leather (COL)	+\$ 27	Add suffix L to style number and specify leather color number.
	③ Fabric on outer back		
	• Fabric price group 1	No cost	Specify fabric color number.
	• Fabric price group 2	+\$ 31	Specify fabric color number.
	• Fabric price group 3	+\$ 60	Specify fabric color number.
	• Fabric price group 4	+\$ 83	Specify fabric color number.
• Fabric price group 5	+\$ 109	Specify fabric color number.	
• Fabric price group 6	+\$ 141	Specify fabric color number.	
• Fabric price group 7	+\$ 179	Specify fabric color number.	
• Fabric price group 8	+\$ 201	Specify fabric color number.	
• Fabric price group 9	+\$ 231	Specify fabric color number.	
• Fabric price group 10	+\$ 255	Specify fabric color number.	
• Leather price group	+\$1209	Add suffix L to style number and specify leather color number.	
• Vinyl	+\$ 31	Specify vinyl color number.	
• Customer's Own Material (COM)	+\$ 27	► See <i>Understanding Customer's Own Material (COM)</i> , page 642.	
• Customer's Own Leather (COL)	+\$ 27	Add suffix L to style number and specify leather color number.	
	Legs		
	• Solid round wood legs	+\$ 136	Specify <i>with solid round wood legs</i> and select V1AC Natural Cherry, V1AM Clear Maple, or V1EW Dark Walnut.

Tip: Wood legs are natural wood and may show variations in grain and color.

Jenny Lounge

Specification Information

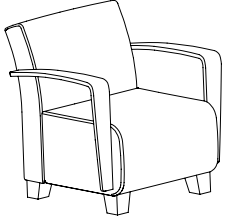
Style Number	U.S. Base Price
Round	
TS31409	\$2233



For Canadian Pricing
 Multiply U.S. Price by the Canadian price factor.
 ► See page 1 for details.

Jenny Lounge, continued

With Wood Arms



Tip: Jenny Lounge chairs are available with multiple fabrics.
 ▶ See at right to specify.

Tip: When specifying multiple COM fabrics, indicate all surfaces where COM applies.
 Example: TS31407M with Designtex 1234 on seat, Designtex 5678 on inner back, Designtex 9012 on outer back, and Designtex 9012 on arms.

Tip: When specifying multiple fabrics and leather, specify suffix **M** before suffix **L**.
 Example: TS31408L becomes TS31408ML

▶ Detailed dimensions, page 592

Standard Includes **Required to Specify**

- | | | |
|--|---|---|
| <ul style="list-style-type: none"> ▶ Need help? Product details, page 588 | <ul style="list-style-type: none"> • Fully upholstered lounge chair: fabric price group 1 • Plywood arm: maple veneer • Legs with glides: black plastic • Shipped fully assembled, some legs are field installed • Meets Cal. 117 requirements | <ul style="list-style-type: none"> 1 Style number 2 Fabric color number for upholstery 3 Wood color number for arms 4 Options, if selected (see below) ▶ See <i>Surface Materials</i>, page 634. |
|--|---|---|

Options **U.S. Price** **Required to Specify**

Surface Materials	Single upholstery fabric		Required to Specify
	<ul style="list-style-type: none"> • Fabric price group 1 • Fabric price group 2 • Fabric price group 3 • Fabric price group 4 • Fabric price group 5 • Fabric price group 6 • Fabric price group 7 • Fabric price group 8 • Fabric price group 9 • Fabric price group 10 • Leather price group 	<ul style="list-style-type: none"> No cost +\$ 47 +\$ 105 +\$ 144 +\$ 187 +\$ 234 +\$ 277 +\$ 349 +\$ 437 +\$ 494 +\$2996 	<ul style="list-style-type: none"> Specify fabric color number. Specify fabric color number. Specify fabric color number. Specify fabric color number. Specify fabric color number. Specify fabric color number. Specify fabric color number. Specify fabric color number. Specify fabric color number. Specify fabric color number. Add suffix L to style number and specify leather color number. Specify vinyl color number. ▶ See <i>Understanding Customer's Own Material (COM)</i>, page 642. Add suffix L to style number and specify leather color number.
	<ul style="list-style-type: none"> • Vinyl • Customer's Own Material (COM) • Customer's Own Leather (COL) 	<ul style="list-style-type: none"> +\$ 47 +\$ 56 +\$ 53 	<ul style="list-style-type: none"> ▶ See <i>Understanding Customer's Own Material (COM)</i>, page 642.
	<p>Multiple upholstery fabrics</p> <ul style="list-style-type: none"> • Two or more fabrics on different chair components 	<ul style="list-style-type: none"> +\$ 98 	<ul style="list-style-type: none"> Add suffix M to lounge chair style number and select fabric color number for: ① Seat ② Inner back ③ Outer back Example: TS31408M with 5G61 on seat, 5F15 on inner back, and 5G51 on outer back. Specify fabric color number. Specify fabric color number. Specify fabric color number. Specify fabric color number. Specify fabric color number. Specify fabric color number. Specify fabric color number. Specify fabric color number. Specify fabric color number. Specify fabric color number. Add suffix L to style number and specify leather color number. Specify vinyl color number. ▶ See <i>Understanding Customer's Own Material (COM)</i>, page 642. Add suffix L to style number and specify leather color number.
	<p>① Fabric on seat</p> <ul style="list-style-type: none"> • Fabric price group 1 • Fabric price group 2 • Fabric price group 3 • Fabric price group 4 • Fabric price group 5 • Fabric price group 6 • Fabric price group 7 • Fabric price group 8 • Fabric price group 9 • Fabric price group 10 • Leather price group 	<ul style="list-style-type: none"> No cost +\$ 17 +\$ 49 +\$ 63 +\$ 85 +\$ 106 +\$ 126 +\$ 161 +\$ 197 +\$ 227 +\$1430 	<ul style="list-style-type: none"> Specify fabric color number. Specify fabric color number. Specify fabric color number. Specify fabric color number. Specify fabric color number. Specify fabric color number. Specify fabric color number. Specify fabric color number. Specify fabric color number. Specify fabric color number. Specify fabric color number. Add suffix L to style number and specify leather color number. Specify vinyl color number. ▶ See <i>Understanding Customer's Own Material (COM)</i>, page 642. Add suffix L to style number and specify leather color number.
	<ul style="list-style-type: none"> • Vinyl • Customer's Own Material (COM) • Customer's Own Leather (COL) 	<ul style="list-style-type: none"> +\$ 17 +\$ 27 +\$ 27 	<ul style="list-style-type: none"> ▶ See <i>Understanding Customer's Own Material (COM)</i>, page 642.

▶ Options, continued on next page

For Canadian Pricing
 Multiply U.S. Price by the Canadian price factor.
 ▶ See page 1 for details.

► Options, continued from previous page

	Options	U.S. Price	Required to Specify
Surface Materials, continued	② Fabric on inner back		
	• Fabric price group 1	No cost	Specify fabric color number.
	• Fabric price group 2	+\$ 9	Specify fabric color number.
	• Fabric price group 3	+\$ 35	Specify fabric color number.
	• Fabric price group 4	+\$ 47	Specify fabric color number.
	• Fabric price group 5	+\$ 60	Specify fabric color number.
	• Fabric price group 6	+\$ 73	Specify fabric color number.
	• Fabric price group 7	+\$ 87	Specify fabric color number.
	• Fabric price group 8	+\$108	Specify fabric color number.
	• Fabric price group 9	+\$136	Specify fabric color number.
	• Fabric price group 10	+\$159	Specify fabric color number.
	• Leather price group	+\$670	Add suffix L to style number and specify leather color number.
	• Vinyl	+\$ 9	Specify vinyl color number.
	• Customer's Own Material (COM)	+\$ 27	► See <i>Understanding Customer's Own Material (COM)</i> , page 642.
	• Customer's Own Leather (COL)	+\$ 27	Add suffix L to style number and specify leather color number.
	③ Fabric on outer back		
	• Fabric price group 1	No cost	Specify fabric color number.
	• Fabric price group 2	+\$ 7	Specify fabric color number.
	• Fabric price group 3	+\$ 22	Specify fabric color number.
	• Fabric price group 4	+\$ 36	Specify fabric color number.
• Fabric price group 5	+\$ 46	Specify fabric color number.	
• Fabric price group 6	+\$ 56	Specify fabric color number.	
• Fabric price group 7	+\$ 63	Specify fabric color number.	
• Fabric price group 8	+\$ 81	Specify fabric color number.	
• Fabric price group 9	+\$104	Specify fabric color number.	
• Fabric price group 10	+\$114	Specify fabric color number.	
• Leather price group	+\$929	Add suffix L to style number and specify leather color number.	
• Vinyl	+\$ 7	Specify vinyl color number.	
• Customer's Own Material (COM)	+\$ 27	► See <i>Understanding Customer's Own Material (COM)</i> , page 642.	
• Customer's Own Leather (COL)	+\$ 27	Add suffix L to style number and specify leather color number.	
	Legs		
	• Brushed aluminum legs	+\$167	Specify <i>with brushed aluminum legs</i> .
	• Solid square wood legs	+\$222	Specify <i>with solid wood legs</i> and select 3412 Natural Cherry, 3522 Clear Maple, or 3762 Dark Walnut.
	• Solid round wood legs	+\$233	Specify <i>with solid round wood legs</i> and select V1AC Natural Cherry, V1AM Clear Maple, or V1EW Dark Walnut.

Tip: Brushed aluminum legs are adjustable and have 3/4" of height adjustment.

Tip: Wood legs are natural wood and may show variations in grain and color.

Specification Information

Style Number	U.S. Base Price
--------------	-----------------

With Wood Arms

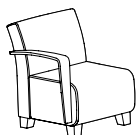
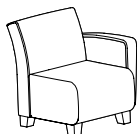
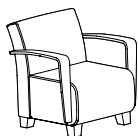
TS31408	\$2317
----------------	--------

With Wood Arm Left

TS31428	\$2037
----------------	--------

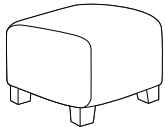
With Wood Arm Right

TS31438	\$2037
----------------	--------



Jenny Lounge, continued

Ottoman



Tip: Hard dual-wheel casters are for use on carpet. Use on hard surfaces, including floor mats, will affect chair stability and may result in personal injury.

Tip: Jenny Ottoman is available with multiple fabrics. See at right to specify.

Tip: When specifying multiple COM fabrics, indicate all surfaces where COM applies. Example: TS31405M with Designtex 1234 on seat, front, and back and Designtex 9012 on sides.

Tip: When specifying multiple fabrics and leather, specify suffix **M** before suffix **L**. Example: TS31405L becomes TS31405ML

Detailed dimensions, page 592



For Canadian Pricing
Multiply U.S. Price by the Canadian price factor.
See page 1 for details.

Standard Includes **Required to Specify**

- | | | |
|--|--|---|
| <ul style="list-style-type: none"> ▶ Need help? Product details, page 588 | <ul style="list-style-type: none"> • Fully upholstered Ottoman: fabric price group 1 • Hard dual-wheel casters or legs with glides: black plastic • Shipped fully assembled, some legs are field installed • Meets Cal. 117 requirements | <ul style="list-style-type: none"> 1 Style number 2 Fabric color number for upholstery 3 Options, if selected (see below) ▶ See <i>Surface Materials</i>, page 634. |
|--|--|---|

Options **U.S. Price** **Required to Specify**

Surface Materials	Single upholstery fabric	U.S. Price	Required to Specify
	• Fabric price group 1	No cost	Specify fabric color number.
	• Fabric price group 2	+\$ 24	Specify fabric color number.
	• Fabric price group 3	+\$ 62	Specify fabric color number.
	• Fabric price group 4	+\$ 94	Specify fabric color number.
	• Fabric price group 5	+\$ 117	Specify fabric color number.
	• Fabric price group 6	+\$ 144	Specify fabric color number.
	• Fabric price group 7	+\$ 172	Specify fabric color number.
	• Fabric price group 8	+\$ 221	Specify fabric color number.
	• Fabric price group 9	+\$ 273	Specify fabric color number.
	• Fabric price group 10	+\$ 308	Specify fabric color number.
	• Leather price group	+\$1555	Specify fabric color number.
	• Vinyl	+\$ 24	Add suffix L to style number and specify leather color number.
	• Customer's Own Material (COM)	+\$ 56	Specify vinyl color number.
	• Customer's Own Leather (COL)	+\$ 53	▶ See <i>Understanding Customer's Own Material (COM)</i> , page 642.

	Multiple upholstery fabrics		
	• Two or more fabrics on different components	+\$ 98	Add suffix M to Ottoman style number and select fabric color number for:
	▶ See below and at right.		1 Seat, front, and back
			2 Sides
			Example: TS31405M with 5G61 on seat, front, and back and 5F15 on sides.

	1 Fabric on seat, front, and back		
	• Fabric price group 1	No cost	Specify fabric color number.
	• Fabric price group 2	+\$ 17	Specify fabric color number.
	• Fabric price group 3	+\$ 49	Specify fabric color number.
	• Fabric price group 4	+\$ 69	Specify fabric color number.
	• Fabric price group 5	+\$ 88	Specify fabric color number.
	• Fabric price group 6	+\$ 108	Specify fabric color number.
	• Fabric price group 7	+\$ 130	Specify fabric color number.
	• Fabric price group 8	+\$ 165	Specify fabric color number.
	• Fabric price group 9	+\$ 206	Specify fabric color number.
	• Fabric price group 10	+\$ 234	Specify fabric color number.
	• Leather price group	+\$1074	Specify fabric color number.
	• Vinyl	+\$ 17	Add suffix L to style number and specify leather color number.
	• Customer's Own Material (COM)	+\$ 27	Specify vinyl color number.
	• Customer's Own Leather (COL)	+\$ 27	▶ See <i>Understanding Customer's Own Material (COM)</i> , page 642.

Options, continued on next page

► Options, continued from previous page

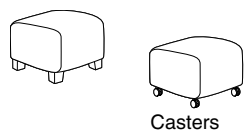
	Options	U.S. Price	Required to Specify
Surface Materials, continued	② Fabric on sides		
	• Fabric price group 1	No cost	Specify fabric color number.
	• Fabric price group 2	+\$ 4	Specify fabric color number.
	• Fabric price group 3	+\$ 11	Specify fabric color number.
	• Fabric price group 4	+\$ 22	Specify fabric color number.
	• Fabric price group 5	+\$ 28	Specify fabric color number.
	• Fabric price group 6	+\$ 37	Specify fabric color number.
	• Fabric price group 7	+\$ 46	Specify fabric color number.
	• Fabric price group 8	+\$ 56	Specify fabric color number.
	• Fabric price group 9	+\$ 69	Specify fabric color number.
	• Fabric price group 10	+\$ 77	Specify fabric color number.
	• Leather price group	+\$546	Specify fabric color number. Add suffix L to style number and specify leather color number.
	• Vinyl	+\$ 4	Specify vinyl color number.
	• Customer's Own Material (COM)	+\$ 27	► See <i>Understanding Customer's Own Material (COM)</i> , page 642.
	• Customer's Own Leather (COL)	+\$ 27	Add suffix L to style number and specify leather color number.
	Legs		
	• Brushed aluminum legs	+\$167	Specify <i>with brushed aluminum legs</i> .
	• Solid square wood legs	+\$222	Specify <i>with solid square wood legs</i> and select 3412 Natural Cherry, 3522 Clear Maple, or 3762 Dark Walnut.
	• Solid round wood legs	+\$233	Specify <i>with solid round wood legs</i> and select V1AC Natural Cherry, V1AM Clear Maple, or V1EW Dark Walnut.

Tip: Brushed aluminum legs are adjustable and have 3/4" of height adjustment.

Tip: Wood legs are natural wood and may show variations in grain and color.

Specification Information

• Style Number	• U.S. Base Price	• Style Number	• U.S. Base Price
----------------	-------------------	----------------	-------------------



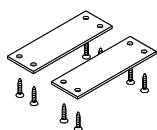
With Glides

TS31405 \$824

With Casters

TS31405C \$957

Ganging Kit



Standard Includes	Required to Specify
<ul style="list-style-type: none"> • Ganging kit • Two plates • Attachment hardware 	Style number

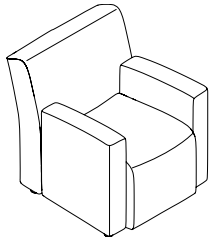
Specification Information

• Dimensions	• Style Number	• U.S. Price
D W		
2" 6"	TS31410	\$44

 **For Canadian Pricing**
Multiply U.S. Price by the Canadian price factor.
► See page 1 for details.

Jenny Lounge, continued

Club Low



Tip: Jenny Low chairs come standard with low feet to allow for a lower chair height supporting working lounge posture.

Tip: Jenny Lounge chairs are available with multiple fabrics.

▶ See at right to specify.

Tip: When specifying multiple COM fabrics, indicate all surfaces where COM applies. Example: TS31407M with Designtex 1234 on seat, Designtex 5678 on inner back, Designtex 9012 on outer back, and Designtex 9012 on arms.

Tip: When specifying multiple fabrics and leather, specify suffix **M** before suffix **L**. Example: TS31412L becomes TS31412ML

▶ Detailed dimensions, page 592



For Canadian Pricing

Multiply U.S. Price by the Canadian price factor.

▶ See page 1 for details.

Standard Includes	Required to Specify
<ul style="list-style-type: none"> ▶ Need help? Product details, page 588 Fully upholstered lounge chair with arms: fabric price group 1 Deck stitch detail Shipped fully assembled Meets Cal. 117 requirements Low foot, black plastic 	<ul style="list-style-type: none"> 1 Style number 2 Fabric color number for upholstery 3 Options, if selected (see below) ▶ See <i>Surface Materials</i>, page 634.

Surface Materials	Options	U.S. Price	Required to Specify
	Single upholstery fabric		Specify fabric color number.
	<ul style="list-style-type: none"> Fabric price group 1 Fabric price group 2 Fabric price group 3 Fabric price group 4 Fabric price group 5 Fabric price group 6 Fabric price group 7 Fabric price group 8 Fabric price group 9 Fabric price group 10 Leather price group 	<ul style="list-style-type: none"> No cost +\$ 69 +\$ 164 +\$ 231 +\$ 301 +\$ 362 +\$ 434 +\$ 546 +\$ 682 +\$ 775 +\$4630 	
	<ul style="list-style-type: none"> Vinyl Customer's Own Material (COM) Customer's Own Leather (COL) 	<ul style="list-style-type: none"> +\$ 69 +\$ 56 +\$ 56 	<ul style="list-style-type: none"> ▶ See <i>Understanding Customer's Own Material (COM)</i>, page 642. Add suffix L to style number and specify leather color number.
	Multiple upholstery fabrics		Add suffix M to lounge chair style number and select fabric color number for:
	<ul style="list-style-type: none"> Two or more fabrics on different chair components 	<ul style="list-style-type: none"> +\$ 98 	
	① Fabric on seat		<ul style="list-style-type: none"> 1 Seat 2 Inner back 3 Outer back 4 Arms Example: TS31412M with 5G61 on seat, 5F15 on inner back, 5G51 on outer back, and 5F03 on arms.
	<ul style="list-style-type: none"> Fabric price group 1 Fabric price group 2 Fabric price group 3 Fabric price group 4 Fabric price group 5 Fabric price group 6 Fabric price group 7 Fabric price group 8 Fabric price group 9 Fabric price group 10 Leather price group 	<ul style="list-style-type: none"> No cost +\$ 17 +\$ 49 +\$ 63 +\$ 85 +\$ 106 +\$ 126 +\$ 161 +\$ 197 +\$ 227 +\$1321 	
	<ul style="list-style-type: none"> Vinyl Customer's Own Material (COM) Customer's Own Leather (COL) 	<ul style="list-style-type: none"> +\$ 17 +\$ 27 +\$ 27 	<ul style="list-style-type: none"> ▶ See <i>Understanding Customer's Own Material (COM)</i>, page 642. Add suffix L to style number and specify leather color number.

▶ Options, continued on next page

► Options, continued from previous page

	Options	U.S. Price	Required to Specify
Surface Materials, continued	2 Fabric on inner back		
	• Fabric price group 1	No cost	Specify fabric color number.
	• Fabric price group 2	+\$ 9	Specify fabric color number.
	• Fabric price group 3	+\$ 35	Specify fabric color number.
	• Fabric price group 4	+\$ 47	Specify fabric color number.
	• Fabric price group 5	+\$ 60	Specify fabric color number.
	• Fabric price group 6	+\$ 73	Specify fabric color number.
	• Fabric price group 7	+\$ 87	Specify fabric color number.
	• Fabric price group 8	+\$ 108	Specify fabric color number.
	• Fabric price group 9	+\$ 136	Specify fabric color number.
	• Fabric price group 10	+\$ 159	Specify fabric color number.
	• Leather price group	+\$ 670	Add suffix L to style number and specify leather color number.
	• Vinyl	+\$ 9	Specify vinyl color number.
	• Customer's Own Material (COM)	+\$ 27	► See <i>Understanding Customer's Own Material (COM)</i> , page 642.
	• Customer's Own Leather (COL)	+\$ 27	Add suffix L to style number and specify leather color number.
	3 Fabric on outer back		
	• Fabric price group 1	No cost	Specify fabric color number.
	• Fabric price group 2	+\$ 7	Specify fabric color number.
	• Fabric price group 3	+\$ 22	Specify fabric color number.
	• Fabric price group 4	+\$ 36	Specify fabric color number.
	• Fabric price group 5	+\$ 46	Specify fabric color number.
	• Fabric price group 6	+\$ 56	Specify fabric color number.
	• Fabric price group 7	+\$ 63	Specify fabric color number.
	• Fabric price group 8	+\$ 81	Specify fabric color number.
	• Fabric price group 9	+\$ 104	Specify fabric color number.
	• Fabric price group 10	+\$ 114	Specify fabric color number.
	• Leather price group	+\$ 929	Add suffix L to style number and specify leather color number.
	• Vinyl	+\$ 7	Specify vinyl color number.
	• Customer's Own Material (COM)	+\$ 27	► See <i>Understanding Customer's Own Material (COM)</i> , page 642.
	• Customer's Own Leather (COL)	+\$ 27	Add suffix L to style number and specify leather color number.
	4 Fabric on arms		
	• Fabric price group 1	No cost	Specify fabric color number.
	• Fabric price group 2	+\$ 23	Specify fabric color number.
• Fabric price group 3	+\$ 59	Specify fabric color number.	
• Fabric price group 4	+\$ 81	Specify fabric color number.	
• Fabric price group 5	+\$ 107	Specify fabric color number.	
• Fabric price group 6	+\$ 132	Specify fabric color number.	
• Fabric price group 7	+\$ 160	Specify fabric color number.	
• Fabric price group 8	+\$ 196	Specify fabric color number.	
• Fabric price group 9	+\$ 246	Specify fabric color number.	
• Fabric price group 10	+\$ 278	Specify fabric color number.	
• Leather price group	+\$1770	Add suffix L to style number and specify leather color number.	
• Vinyl	+\$ 23	Specify vinyl color number.	
• Customer's Own Material (COM)	+\$ 27	► See <i>Understanding Customer's Own Material (COM)</i> , page 642.	
• Customer's Own Leather (COL)	+\$ 27	Add suffix L to style number and specify leather color number.	

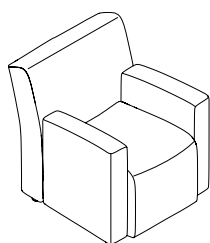
Jenny Lounge

Specification Information

• Style Number	• U.S. Base Price
•	•
•	•
•	•

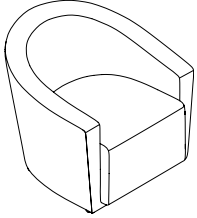
Club Low

TS31412	\$1917
•	•
•	•



Jenny Lounge, continued

Round Low



Tip: Jenny Low chairs come standard with low feet to allow for a lower chair height supporting working lounge posture.

Tip: Jenny Round chairs are available with multiple fabrics.
 ▶ See at right to specify.

Tip: When specifying multiple COM fabrics, indicate all surfaces where COM applies.
 Example: TS31407M with Designtex 1234 on seat, Designtex 5678 on inner back, Designtex 9012 on outer back, and Designtex 9012 on arms.

Tip: When specifying multiple fabrics and leather, specify suffix **M** before suffix **L**.
 Example: TS31413L becomes TS31413ML

▶ Detailed dimensions, page 592

Standard Includes	Required to Specify
▶ Need help? Product details, page 588 • Fully upholstered Round chair with arms: fabric price group 1 • Deck stitch detail • Shipped fully assembled • Meets Cal. 117 requirements • Low foot, black plastic	1 Style number 2 Fabric color number for upholstery 3 Options, if selected (see below) ▶ See <i>Surface Materials</i> , page 634.

Surface Materials	Options	U.S. Price	Required to Specify
	Single upholstery fabric		
	• Fabric price group 1	No cost	Specify fabric color number.
	• Fabric price group 2	+\$ 69	Specify fabric color number.
	• Fabric price group 3	+\$ 164	Specify fabric color number.
	• Fabric price group 4	+\$ 231	Specify fabric color number.
	• Fabric price group 5	+\$ 301	Specify fabric color number.
	• Fabric price group 6	+\$ 362	Specify fabric color number.
	• Fabric price group 7	+\$ 434	Specify fabric color number.
	• Fabric price group 8	+\$ 546	Specify fabric color number.
	• Fabric price group 9	+\$ 682	Specify fabric color number.
	• Fabric price group 10	+\$ 775	Specify fabric color number.
	• Leather price group	+\$4686	Add suffix L to style number and specify leather color number.
	• Vinyl	+\$ 69	Specify vinyl color number.
	• Customer's Own Material (COM)	+\$ 56	▶ See <i>Understanding Customer's Own Material (COM)</i> , page 642.
	• Customer's Own Leather (COL)	+\$ 56	Add suffix L to style number and specify leather color number.
	Multiple upholstery fabrics		
	• Two or more fabrics on different chair components	+\$ 98	Add suffix M to Round chair style number and select fabric color number for:
	▶ See below and at right.		① Seat ② Inner back ③ Outer back Example: TS31413M with 5G61 on seat, 5F15 on inner back, and 5G51 on outer back.
	① Fabric on seat		
	• Fabric price group 1	No cost	Specify fabric color number.
	• Fabric price group 2	+\$ 17	Specify fabric color number.
	• Fabric price group 3	+\$ 49	Specify fabric color number.
	• Fabric price group 4	+\$ 92	Specify fabric color number.
	• Fabric price group 5	+\$ 113	Specify fabric color number.
	• Fabric price group 6	+\$ 130	Specify fabric color number.
	• Fabric price group 7	+\$ 161	Specify fabric color number.
	• Fabric price group 8	+\$ 197	Specify fabric color number.
	• Fabric price group 9	+\$ 227	Specify fabric color number.
	• Fabric price group 10	+\$ 254	Specify fabric color number.
	• Leather price group	+\$1542	Add suffix L to style number and specify leather color number.
	• Vinyl	+\$ 17	Specify vinyl color number.
	• Customer's Own Material (COM)	+\$ 27	▶ See <i>Understanding Customer's Own Material (COM)</i> , page 642.
	• Customer's Own Leather (COL)	+\$ 27	Add suffix L to style number and specify leather color number.

▶ Options, continued on next page

For Canadian Pricing
 Multiply U.S. Price by the Canadian price factor.
 ▶ See page 1 for details.

► Options, continued from previous page

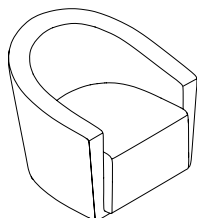
	Options	U.S. Price	Required to Specify
Surface Materials, continued	② Fabric on inner back		
	• Fabric price group 1	No cost	Specify fabric color number.
	• Fabric price group 2	+\$ 24	Specify fabric color number.
	• Fabric price group 3	+\$ 57	Specify fabric color number.
	• Fabric price group 4	+\$ 66	Specify fabric color number.
	• Fabric price group 5	+\$ 78	Specify fabric color number.
	• Fabric price group 6	+\$ 98	Specify fabric color number.
	• Fabric price group 7	+\$ 104	Specify fabric color number.
	• Fabric price group 8	+\$ 119	Specify fabric color number.
	• Fabric price group 9	+\$ 136	Specify fabric color number.
	• Fabric price group 10	+\$ 159	Specify fabric color number.
	• Leather price group	+\$ 912	Add suffix L to style number and specify leather color number.
	• Vinyl	+\$ 24	Specify vinyl color number.
	• Customer's Own Material (COM)	+\$ 27	► See <i>Understanding Customer's Own Material (COM)</i> , page 642.
	• Customer's Own Leather (COL)	+\$ 27	Add suffix L to style number and specify leather color number.
	③ Fabric on outer back		
	• Fabric price group 1	No cost	Specify fabric color number.
	• Fabric price group 2	+\$ 31	Specify fabric color number.
	• Fabric price group 3	+\$ 60	Specify fabric color number.
	• Fabric price group 4	+\$ 83	Specify fabric color number.
	• Fabric price group 5	+\$ 109	Specify fabric color number.
	• Fabric price group 6	+\$ 141	Specify fabric color number.
	• Fabric price group 7	+\$ 179	Specify fabric color number.
	• Fabric price group 8	+\$ 201	Specify fabric color number.
	• Fabric price group 9	+\$ 231	Specify fabric color number.
	• Fabric price group 10	+\$ 255	Specify fabric color number.
• Leather price group	+\$1209	Add suffix L to style number and specify leather color number.	
• Vinyl	+\$ 31	Specify vinyl color number.	
• Customer's Own Material (COM)	+\$ 27	► See <i>Understanding Customer's Own Material (COM)</i> , page 642.	
• Customer's Own Leather (COL)	+\$ 27	Add suffix L to style number and specify leather color number.	

Specification Information

Style Number	U.S. Base Price

Round Low

TS31413	\$2233
---------	--------



 **For Canadian Pricing**
 Multiply U.S. Price by the Canadian price factor.
 ► See page 1 for details.

Occasional Tables

Tip: There may be sheen or texture differences when using Low-Pressure Laminate and High-Pressure Laminate in adjacent applications. Please use caution when mixing and matching different worksurface types.

Tip: Edge band applies to entire table, not just the worksurface.

For laminate group 2 and 3 pricing, please refer to the electronic catalog or SmartTools.

Tip: Brushed aluminum legs are adjustable and have 3/4" of height adjustment.

Tip: Wood legs are natural wood and may show variations in grain and color.

Tip: Low foot option reduces overall table height to 15".

Standard Includes	Required to Specify
<ul style="list-style-type: none"> ▶ Need help? Product details, page 588 • Table: Low-Pressure Laminate (LPL) or High-Pressure Laminate (HPL) price group 1 • 3 mm edge band: plastic • Legs with glides: black plastic • Shipped ready to assemble 	<ol style="list-style-type: none"> 1 Style number 2 Low-Pressure Laminate or High-Pressure Laminate color number for table top, as appropriate 3 Plastic edge band color number for table 4 Low-Pressure Laminate color number for sides and base of table 5 Options, if selected <p>▶ See <i>Surface Materials</i>, page 634.</p>

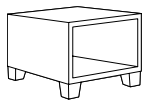
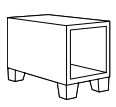
Surface Materials	Options	U.S. Price	Required to Specify
	High-Pressure Laminate worksurfaces <ul style="list-style-type: none"> • High-Pressure Laminate price group 2 • High-Pressure Laminate price group 3 • Open Line laminate 	See information at left See information at left +\$102 plus cost of laminate	Specify High-Pressure Laminate color number. Specify High-Pressure Laminate color number. ▶ See <i>Surface Materials Reference Manual</i> .
	Legs <ul style="list-style-type: none"> • Brushed aluminum legs • Solid square wood legs 	+\$167 +\$222	Specify <i>with brushed aluminum legs</i> . Specify <i>with solid square wood legs</i> and select 3412 Natural Cherry, 3522 Clear Maple, or 3762 Dark Walnut.
	<ul style="list-style-type: none"> • Solid round wood legs 	+\$233	Specify <i>with solid round wood legs</i> and select V1AC Natural Cherry, V1AM Clear Maple, or V1EW Dark Walnut.
	Legs <ul style="list-style-type: none"> • Low foot 	No cost	Specify <i>with low foot</i> .

Specification Information

Dimensions	Style Number	U.S. Base Price	Style Number	U.S. Base Price
D W H	LPL	Price	HPL	Price

End Table				
26½"	13½"	17"	TS31415L	\$488
			TS31415H	\$538

Coffee Table				
26½"	26½"	17"	TS31416L	\$665
			TS31416H	\$715



For Canadian Pricing
 Multiply U.S. Price by the Canadian price factor.
 ▶ See page 1 for details.