
Understanding and Specifying Turnstone Aight Lounge

Lounge Seating



Product Details

Aight Lounge	628
Dimensions	630

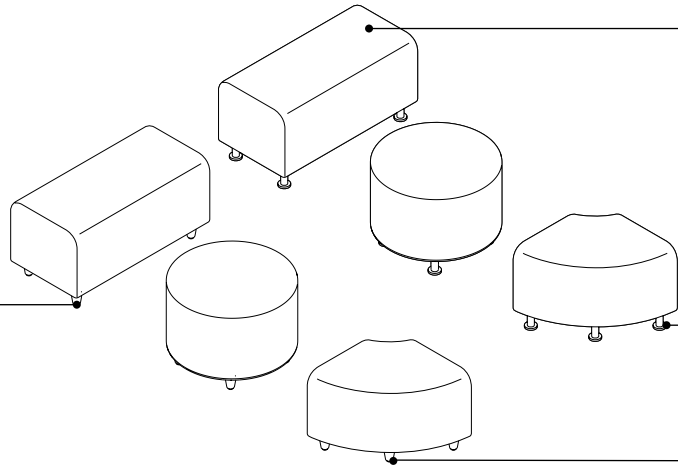


Specifying

Aight Lounge	631
--------------	-----

Alight Lounge

Alight comes fully upholstered as a Bench, Round, or Corner Ottoman. Alight supports up to 300 pounds.
▶ Specifying, page 631



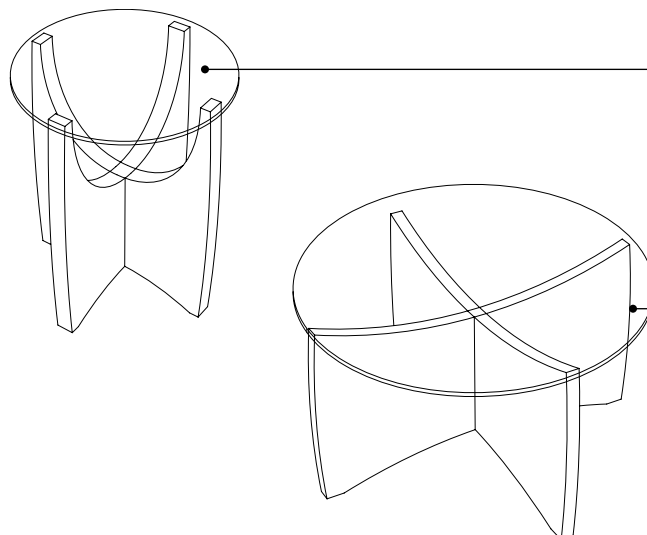
Alight Seating comes fully assembled.

Legs come standard brushed aluminum with an option of round wood legs and low profile glides.

Brushed aluminum legs are height adjustable.

Round wood legs are solid maple and are available in three finishes.
Tip: Wood legs are natural wood and may have variations in color.

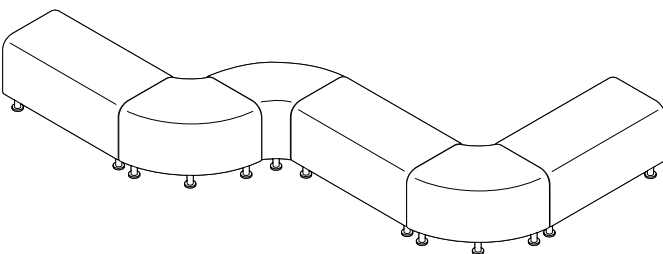
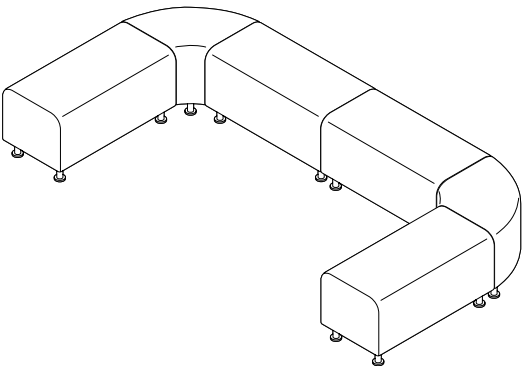
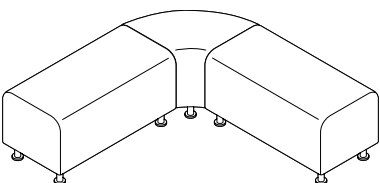
Alight tables are available as an End Table or Coffee Table.
▶ Specifying, page 632



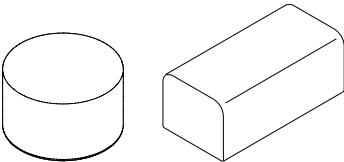
Alight tables have a glass top.

Alight tables require minor assembly.

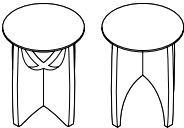
Product Details



Alight Bench and Corner Ottoman can be combined to create a variety of configurations.



The low profile glide option reduces the overall height of the Ottoman from 19" to 16".



Alight End Table base can be reversed creating two unique looks.

Surface Materials

- Legs**
- Brushed aluminum
- With Round Wood Legs**
- V1AC Natural Cherry
 - V1AM Clear Maple
 - V1EW Dark Walnut
- Tip: Wood legs are natural wood and may have variations in color.*

Dimensions

▶ Page 630

Alight Lounge

Dimensions

Alight Lounge

• Features • Overall
• • Depth Width Height

Alight Lounge

Lounge Seating

Round	24"	24"	19"
Corner Ottoman	18"	31"	19"
Bench Ottoman	18"	36"	19"

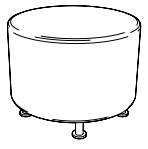
Standard Includes	Required to Specify
<ul style="list-style-type: none"> ▶ Need help? Product details, page 628 Fully upholstered Ottoman: fabric price group 1 Four adjustable-height legs: brushed aluminum Meets Cal. 117 requirements 	<ul style="list-style-type: none"> 1 Style number 2 Fabric color number for upholstery 3 Options, if selected (see below) ▶ See <i>Surface Materials</i>, page 634.

Surface Materials	Options	U.S. Price	Required to Specify
	Upholstery <ul style="list-style-type: none"> Fabric price group 1 Fabric price group 2 Fabric price group 3 Fabric price group 4 Fabric price group 5 Fabric price group 6 Fabric price group 7 Fabric price group 8 Fabric price group 9 Fabric price group 10 Vinyl Customer's Own Material (COM) 	<ul style="list-style-type: none"> No cost +\$ 23 +\$ 61 +\$ 92 +\$114 +\$141 +\$168 +\$216 +\$265 +\$303 +\$ 23 +\$ 55 	<ul style="list-style-type: none"> Specify fabric color number. Specify fabric color number. Specify fabric color number. Specify fabric color number. Specify fabric color number. Specify fabric color number. Specify fabric color number. Specify fabric color number. Specify fabric color number. Specify vinyl color number. ▶ See <i>Understanding Customer's Own Material (COM)</i>, page 642.
	Legs <ul style="list-style-type: none"> Solid round wood legs 	<ul style="list-style-type: none"> +\$233 	<ul style="list-style-type: none"> Specify <i>with solid round wood legs</i> and select V1AC Natural Cherry, V1AM Clear Maple, or V1EW Dark Walnut.
	Glides <ul style="list-style-type: none"> Low profile glide 	<ul style="list-style-type: none"> No cost 	<ul style="list-style-type: none"> Specify <i>with low profile glides</i>.

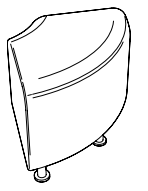
Tip: Wood legs are natural wood and may show variations in grain and color.

Tip: Low profile glide reduces seat height from 19" to 16".

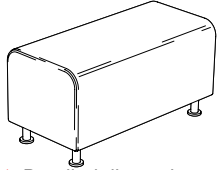
Specification Information	
Style Number	U.S. Base Price



Round Ottoman	
TS34401	\$775



Corner Ottoman	
TS34402	\$882



Bench Ottoman	
TS34403	\$969

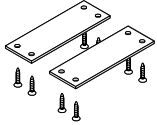
▶ Detailed dimensions, page 630

For Canadian Pricing
 Multiply U.S. Price by the Canadian price factor.
 ▶ See page 1 for details.

Alight Lounge

Alight Lounge, continued

Ganging Kit



Standard Includes	Required to Specify
-------------------	---------------------

- Ganging kit
- Two plates
- Attachment hardware

Style number

Specification Information				
• Dimensions		• Style	• U.S.	
D	W	Number	Price	

• Dimensions		• Style	• U.S.	
D	W	Number	Price	
2"	6"	TS31410	\$44	

Occasional Tables

Standard Includes	Required to Specify
-------------------	---------------------

▶ Need help?
Product details,
page 628

- Table: maple veneer base
- Veneer edge band to match base
- 3/8" clear glass top
- Glides

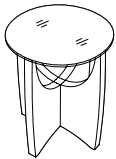
1 Style number
2 Wood color number for base
▶ See *Surface Materials*, page 634.

Specification Information				
• Dimensions			• Style	• U.S.
D	W	H	Number	Price

• Dimensions			• Style	• U.S.
D	W	H	Number	Price

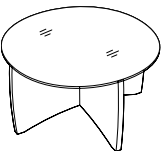
End Table

18"	18"	23"	TS34410T	\$ 904
-----	-----	-----	-----------------	--------



Coffee Table

30"	30"	17"	TS34411T	\$1165
-----	-----	-----	-----------------	--------



For Canadian Pricing

Multiply U.S. Price by the Canadian price factor.

▶ See page 1 for details.