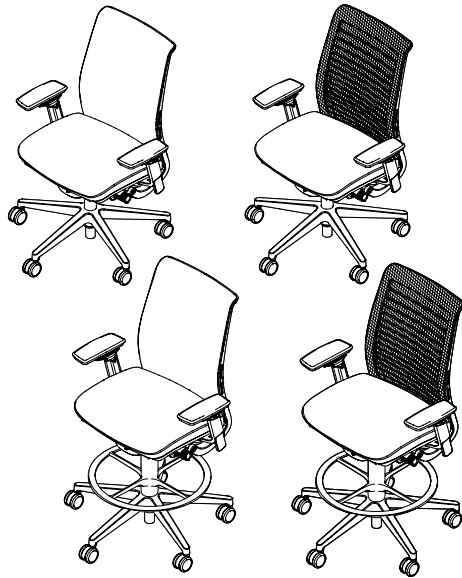


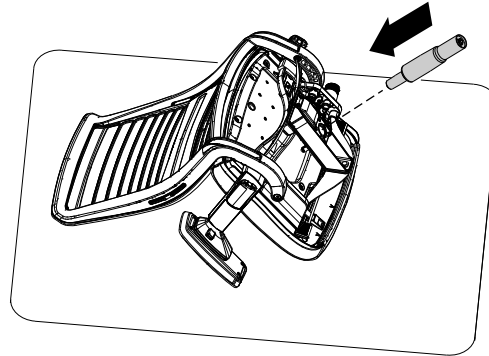


Scan this QR code to watch a Think assembly tutorial

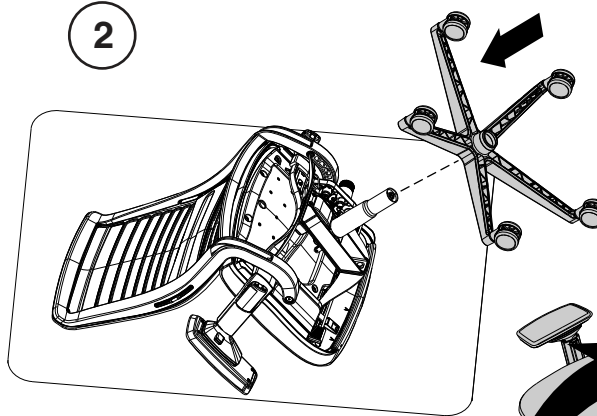


For Chair Assembly

1

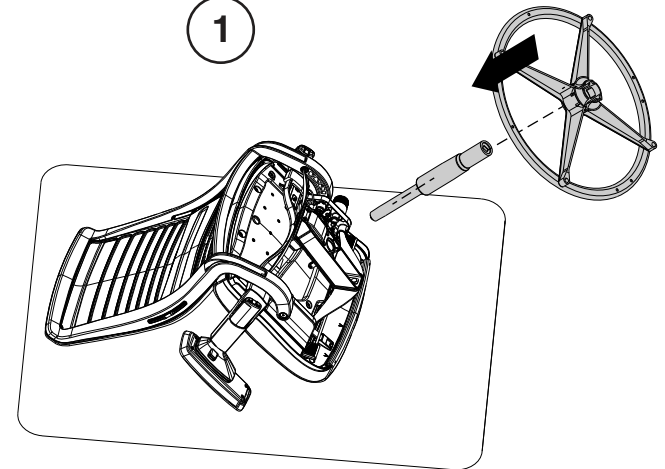


2

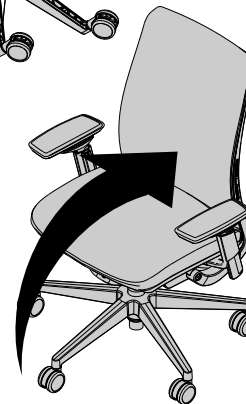


For Stool Assembly

1



3



4



Note: Sit in chair to securely lock components together and complete assembly

If you have a problem, question, or request, call our local dealer, or Steelcase Line 1 at **888.STEELCASE** (888.783.3522) or immediate action by people who want to help you.

Outside the U.S.A., Canada, Mexico, Puerto Rico, and the U.S. Virgin Islands, call: 1.616.247.2500) Or visit our website: www.steelcase.com

© 2021 Steelcase Inc.
Grand Rapids, MI 49501
U.S.A.

Printed in U.S.A.