



---

# Steelcase Roam Collection

## Availability

**Electronic price list updated** with release 200.N (U.S.) and 156.N (Canada), dated August 19, 2024.

All specifications subject to change without notice. Reference the electronic catalog/Hedberg for current pricing.

Transitional products in this specification guide are **maintained for existing customers only** and are likely to be phased out over time. These products are indicated with a . Products that are scheduled to be culled are indicated with an , followed by the last order entry date.

## Surface Materials

**The surface materials team** has announced the launch of the Finish Library, found at [www.steelcase.com/finishlibrary/](http://www.steelcase.com/finishlibrary/).

► For a list of all trademarks, refer to the last page of this specification guide. © 2024 Steelcase Inc.

## Product Details

Roam Mobile Stand for Microsoft Surface Hub 2S & 3 50"	<b>2</b>
Roam Mobile Stand for Microsoft Surface Hub 2S & 3 85"	<b>3</b>
Roam Single Wall Mount for Microsoft Hub 2S & 3 50"	<b>4</b>
Roam Single Wall Mount for Microsoft Surface Hub 2S & 3 85"	<b>5</b>
Roam Single Floor Mount for Microsoft Surface Hub 2S & 3 85"	<b>6</b>

## Specifying

Roam Mobile Stands	<b>8</b>
Roam Single Wall Mounts	<b>9</b>
Roam Single Floor Mount	<b>10</b>

## Style Number Index

**11**



### For Canadian Pricing

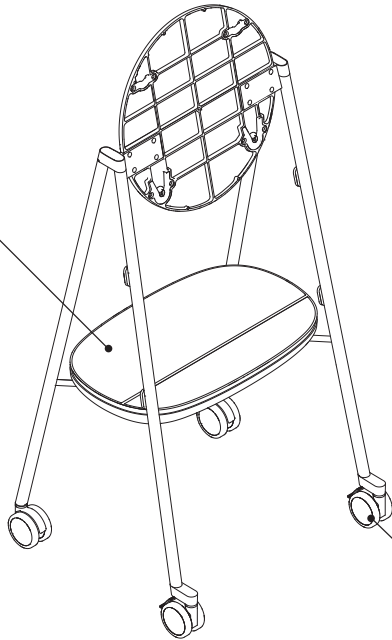
Canadian factor can be found at [www.steelcase.com/CADpricing/](http://www.steelcase.com/CADpricing/). Calculate in the following order to avoid rounding errors:

- Multiply the base price and each option by the Canadian factor.
- Round each to the nearest dollar.
- Add base and options for total list price.

# Roam Mobile Stand for Microsoft Surface Hub 2S & 3 50"

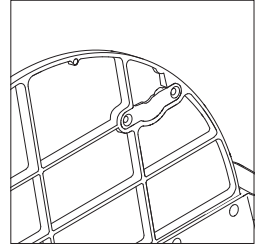
**Roam mobile stand** is designed to help people collaborate anywhere, including more open and casual spaces, in whatever way works for them.  
 ▶ Specifying, page 8

**Tray lid** is a water repellent material designed to protect against spills and stains.

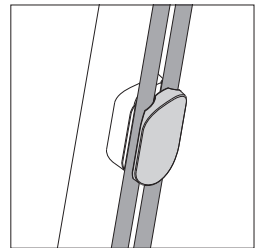


**Mobile stand** includes 360° rotating casters. Front casters are locking and back casters are non-locking.

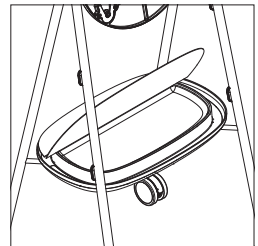
## Product Details



**Seismic locking system** allows for the device to be easily placed on the mobile stand and automatically locks in place.



**A cord management system** allows different power and data cords to easily be secured on each leg.



**A storage tray** is included to house cords or other items, such as a keyboard, when being transported. Also designed to hold APC mobile battery (sold separately).

**A foam eraser** can be used to clean leg surfaces.

## Surface Materials

### Stand

- 7241 Arctic White

### Mount

- 7470 Microsoft Grey

### Tray

- 3549/804 Pewter, Billiard Cloth

## Actual Dimensions

<b>Overall height</b>	65 <sup>2</sup> / <sub>5</sub> "
<b>Dimension of base</b>	30 <sup>2</sup> / <sub>5</sub> " x 26 <sup>1</sup> / <sub>2</sub> "
<b>Weight (without device)</b>	62 lb

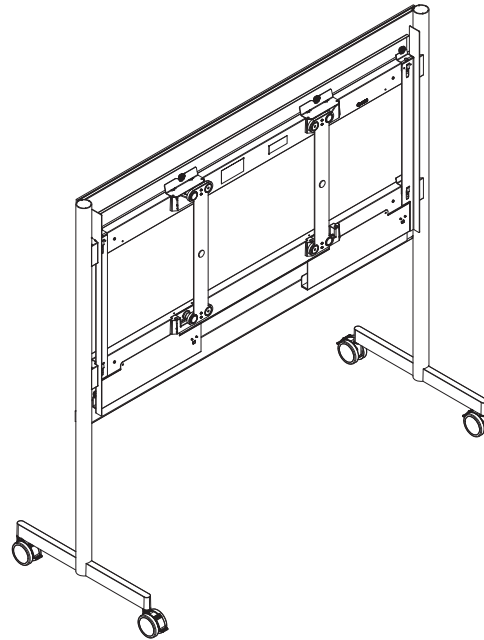
*Tip: Dimensions for cart compatible with 50" Microsoft Surface Hub 2S & 3.*

# Roam Mobile Stand for Microsoft Surface Hub 2S & 3 85"

Roam Mobile Stand  
for Microsoft Surface  
Hub 2S & 3 85"

Understanding

- **The Roam Collection of mobile stands** moves easily on smooth-rolling casters for on-the-go transitions throughout any space.
- Locking casters provide added stability and safety.
- ▶ Specifying, page 8



## Product Details

**Back panel** provides space for presentation support materials.

**Cable management** is included to house cords and other essential items when stand is being transported.

**Proprietary locking system** allows the device to be easily installed and locked in place.

**360-degree rotating casters:** four locking casters add to stability and safety.

**Legs** are thoughtfully designed to be the ideal circumference for hands to easily grip.

## Surface Materials

### Stand

- 7241 Arctic White

### Mount

- 7470 Microsoft Grey

### Back panel

- 3549/804 Pewter, Billiard Cloth

## Actual Dimensions

<b>Depth</b>	29 <sup>1</sup> / <sub>10</sub> "
<b>Width</b>	77 <sup>1</sup> / <sub>5</sub> "
<b>Height</b>	75 <sup>3</sup> / <sub>10</sub> "
<b>Weight (without device)</b>	169.4 lb

# Roam Single Wall Mount for Microsoft Hub 2S & 3 50"

## Roam single wall mount for Microsoft Hub 2S & 3

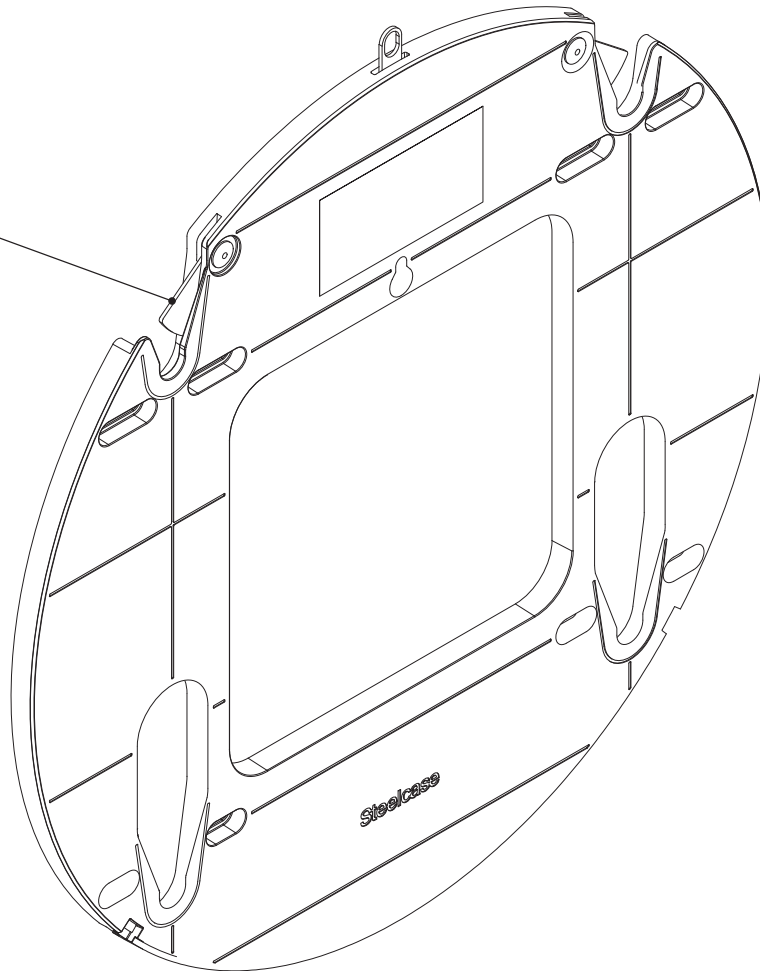
is designed for easy installation on drywall, with no additional support brackets.

► Specifying, page 9

*Tip: Wall mount is for installation on drywall. If installing on other surfaces, discuss with responsible trades.*

**Seismic locking system** allows for the device to be easily placed on the single wall mount and automatically locks in place.

**Roam single wall mount** keeps the Hub 2S & 3 close to the wall (ADA compliant) and installs in minutes.



## Surface Materials

### Wall mount

- 6138 Microsoft Grey

## Actual Dimensions

**Overall diameter** 22<sup>1</sup>/<sub>5</sub>"

**Weight (without device)** 7 lb

**Thickness** 5/8"

*Tip: Dimensions for mount compatible with 50" Microsoft Surface Hub 2S & 3.*

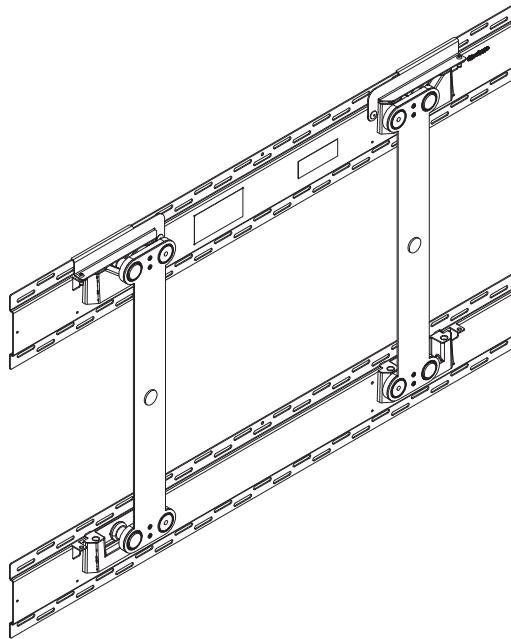
# Roam Single Wall Mount for Microsoft Surface Hub 2S & 3 85"

Roam Single Wall Mount for Microsoft Hub 2S & 3 85"

Understanding

**The Roam Collection of easy-to-install wall mounts** makes any space more flexible, from small huddle spaces and conference rooms to private offices. It's building code-compliant and ADA-compliant, keeping the large-scale screens close to the wall — unobtrusive and inviting for a team to work together naturally.

► Specifying, page 9



## Product Details

**Seismic locking system** allows the device to be easily placed and automatically locks in place.

**Single wall mount** keeps the Microsoft device close to the wall (ADA-compliant) and installs in minutes.

**Receiver blocks on wall mount** slide vertically to allow for fine-tune leveling.

**Designed** for easy installation on a variety of surfaces.

## Surface Materials

### Stand

- 7241 Arctic White

### Mount

- 7470 Microsoft Grey

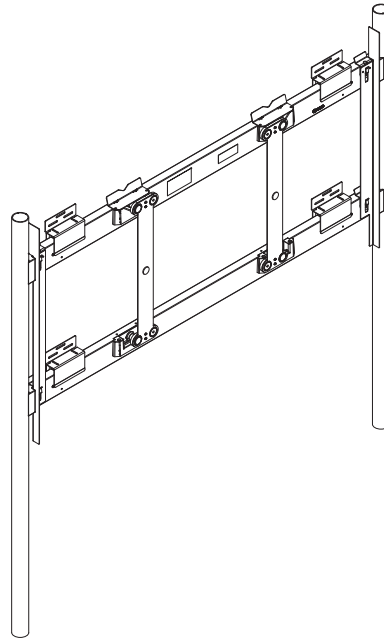
## Actual Dimensions

<b>Depth</b>	1 <sup>2</sup> / <sub>5</sub> "
<b>Width</b>	51 <sup>1</sup> / <sub>2</sub> "
<b>Height</b>	30 <sup>1</sup> / <sub>10</sub> "
<b>Weight (without device)</b>	24.6 lb

# Roam Single Floor Mount for Microsoft Surface Hub 2S & 3 85"

**The Roam Collection of easy-to-install wall mounts** makes any space more flexible, from small huddle spaces and conference rooms to private offices. It's building code-compliant and ADA-compliant, keeping the large-scale screens close to the wall — unobtrusive and inviting for a team to work together naturally.

► Specifying, page 10



## Product Details

**Legs** support the weight of the device, so no wall reinforcement is needed.

**Leveling glides** are on the legs for easy adjustments on all flooring types.

**Mounting brackets** allow legs to rest a little further from the wall, so installers can adjust, depending on the depth of the baseboard.

## Surface Materials

### Stand

- 7241 Arctic White

### Mount

- 7470 Microsoft Grey

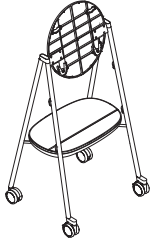
## Actual Dimensions

<b>Depth</b>	3 <sup>3</sup> / <sub>10</sub> "
<b>Width</b>	77 <sup>1</sup> / <sub>5</sub> "
<b>Height</b>	75 <sup>3</sup> / <sub>10</sub> "
<b>Weight (without device)</b>	84.7 lb



# Roam Mobile Stands

## For Microsoft Surface Hub 2S & 3



*Tip: The Roam mobile stand can only be ordered through your A/V partner—not through Steelcase.*

*Tip: STPM1CART is for use with the 50" Microsoft Surface Hub 2S & 3.*

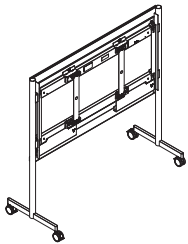
*Tip: Battery sold separately.*

### Standard Includes

- Mobile stand
- Two rear non-locking casters
- Two front locking casters
- Water repellent battery tray
- Back panel

### Specification Information

Dimensions			Style	Price
D	W	H	Number	
30 2/5"	26 1/2"	65 2/5"	<b>STPM1CART</b>	\$1968



*Tip: The Roam mobile stand can only be ordered through your A/V partner—not through Steelcase.*

*Tip: STPM2CART85 is for use with the 85" Microsoft Surface Hub 2S & 3.*

### Standard Includes

- Mobile stand
- Four locking casters
- Back panel

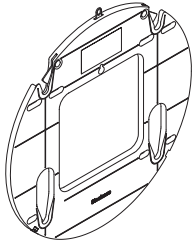
### Specification Information

Dimensions			Style	Price
D	W	H	Number	
29 1/10"	77 1/5"	75 3/10"	<b>STPM2CART85</b>	\$2876



# Roam Single Wall Mounts

For Microsoft Surface Hub Hub 2S & 3



*Tip: The Roam single wall mount can only be ordered through your A/V partner—not through Steelcase.*

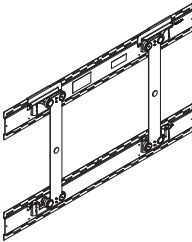
*Tip: STPM1WALLMT is for use with the 50" Microsoft Surface Hub 2S & 3.*

## Standard Includes

- Wall mount
- Single mount hardware package

## Specification Information

Dimensions	Style	Price
Dia.	Number	
22 1/2"	<b>STPM1WALLMT</b>	\$325



*Tip: The Roam single wall mount can only be ordered through your A/V partner—not through Steelcase.*

*Tip: STPM2WALMT85 is for use with the 85" Microsoft Surface Hub 2S & 3.*

## Standard Includes

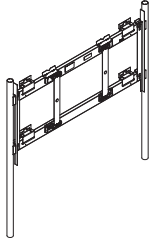
- Wall mount
- Single mount hardware package

## Specification Information

Dimensions			Style	Price
D	W	H	Number	
1 2/5"	51 1/2"	30 1/10"	<b>STPM2WALMT85</b>	\$732

# Roam Single Floor Mount

For Microsoft Surface Hub 2S & 3 85"



*Tip: The Roam single floor mount can only be ordered through your A/V partner—not through Steelcase.*

## Standard Includes

- Two legs
- Mount
- Mounting brackets
- Hardware package

## Specification Information

Dimensions			Style	Price
D	W	H	Number	
3 3/10"	77 1/5"	75 3/10"	<b>STPM2FLRMT85</b>	\$2157

# Style Number Index

<b>Style Number</b>	<b>Page</b>	<b>Description</b>
<b>STPM1CART</b>	8	Roam Mobile Stand
<b>STPM1WALLMT</b>	9	Roam Wall Mount
<b>STPM2CART85</b>	8	Roam Mobile Stand
<b>STPM2FLRMT85</b>	10	Roam Floor Mount
<b>STPM2WALMT85</b>	9	Roam Wall Mount

# Trademark List

™/® The following is a non-exhaustive list of trademarks and registered trademarks for products of Steelcase Inc. or one of its related corporate entities: Agree, Airtouch, Alight, Amia, Answer, Aspekt, Avenir, Await, B-Free, Ballet, Bassline, Bindu, Bivi, Bix, Bottomline, Brody, Buoy, Cachet, Campfire, Capa, CF Series, CG\_1, Chord, Circa, Clipper, Cobi, Collaboration, Convene, Coupe, Cura, Currency, dash, Divisio, Duo, E-Table 2, Edge Series, Elbrook, Elective Elements, Embold, Empath, Everwall, Exponents, Folio, FrameOne, Gesture, Groupwork, Host, Hosu, i2i, Jenny, Kart, Kathryn, Kick, Lagunitas, Leap, Leela, LessThanFive, LiveBack, LiveSeat, Mackinac, Marien152, Max-Stacker, media:scape, Migration, Millbrae, Mineral, Mitra, Montage, Montara650, MoreThanFive, Move, Node, Ocular, Ology, Opus, Paperflo, Passerelle, Player, Pocket, Potrero415, QiVi, Radia, Regard, Relay, Reply, Ripple, Roam, Sarto, Scoop, Sebastopol, Senti Series, Senza, Shortcut, Sidewalk, Siento, Sieste, SILQ, Soffio, Sorrel, SOTO, Steelcase Eclipse, Steelcase Flex, Steelcase Karman, Steelcase Relay, Steelcase Rise, Steelcase Series, Surround, SW\_1, Switch, Sync, Tava, Tenor, Think, Thoughtful, Thread, Together, Train, Trees, Turnstone, Umami, Underscore, V.I.A., Verb, Verge, Verlay, Victor2, Visalia, WorkValet, and X-tenz.

™/® The following are trademarks or registered trademarks of AMQ Solutions, LLC: 3F, Activ, Amobi, Bixby, Bodi, Cluvo, Concur, Embank, FL-X, Iline, Jaku, Kinex, Personality Plus, Revi, S-Series, Siya, Tektis, Tizu, Uptake, and Zilo.

™/® The following are trademarks or registered trademarks of Orangebox Ltd., Cardiff, UK: Air3, Aspect, Avi, Away from the Desk, Border, Campers & Dens, Coppice, Cubb, Kirm, On the QT, Ramsey, Skomer, Sully, Track-B, and Vale.

™/® The following are trademarks or registered trademarks of Viccarbe Habitat, S.L.: Aleta, Cambio, Designed in The Sun, Foro, Funda, Holy Day, Kelly, Last Minute, Noha, Savina, Sistema, Sistema, Viable, and Wrapp.

® The following are registered brands of Steelcase Inc. and its family of companies: Steelcase, AMQ, Coalesse, Designtex, Halcon, Orangebox, Smith System, and Viccarbe.

® The following registered trademarks are under license from AWI Licensing Company, Dover, DE: SoundScapes, DuraBrite, BioBlock, and Armstrong.

® The following registered trademarks are under license from Byrne Electrical, Rockford, MI: Interport, Mini-Port, Axil Z, and Ellora.

® The following is a registered trademark of DuPont, Wilmington, DE: Corian.

® The following is a registered trademark of Genlyte Thomas Company, Louisville, KY: Lightolier.

® The following is a registered trademark of Hilti Corporation, FL-9494 Schaan, Principality of Liechtenstein: Hilti.

® The following is a registered trademark of Leviton Manufacturing Company, Little Neck, NY: Decora.

® The following is a registered trademark of Mechanical Plastics Corp, Elmsford, NY: Toggler.

® The following is a registered trademark of Microsoft Corporation, Redmond, WA: Microsoft.

® The following are registered trademarks of Orangebox Ltd., Cardiff, UK: Orangebox.

® The following is a registered trademark of Panduit Corporation, Lockport, IL: Panduit.

® The following is a registered trademark of Trav (Press), Cuneo, Italy: Assisa.

® The following is a registered trademark of Virtual Ink, Boston, MA: mimioActive.

® The following registered trademarks are under license from Wilkhahn Furniture Products: Avera, Senzo, Versal, and Wilkhahn FS.

® The following are registered trademarks of Polyvision Corp: Flow, Motif, Polyvision, Sans, and Serif.

® The following is a registered trademark of Wilsonart International, Temple, TX: Chemsurf.

® The following is a registered trademark of Wiremold, West Hartford, CT: Wiremold.

® The following is a registered trademark of EMU Group S.P.A., Perugia, Italy: EMU.

® The following is a registered trademark of Security People, Inc.: Digilock.

® The following are registered trademarks of Natural Capital Partners Europe Limited: CarbonNeutral and the CarbonNeutral Certified logo.

™ The following is a trademark of Microsoft Corporation, Redmond, WA: Windows.

™ The following is a trademark of Rodman Industries, Inc., Oconomowoc, WI: ResinCore1.

™ The following is a trademark of Ultrafabrics, LLC, Elmsford, NY: Ultraleather.

™ The following trademarks are under license from Wilkhahn Furniture products: Cana, Linus, Logon, Picto, Range, Stitz, Thema, Timetable, and Tubis.

™ The following trademarks are under license from Walter Knoll: Andoo, Bob, Lazlo, Lox, Ribbon, and Together.

™ The following trademarks are under license from PP Mobler: Bar and Flag Halyard.

™ The following trademarks are under license from Carl Hansen: Elbow, Paddle, Shell, Wing, and Wishbone.

™ The following trademarks are under license from Cambridge Sound Management, LLC Cambridge, MA: QtPro Soundmasking, Qt Quiet Technology, and Sonet Qt.

™ The following is a trademark of Electri-Cable Assemblies, Shelton, CT: Interact.

™ The following is a trademark of Clestra Hauserman: IRYS.

™ The following is a trademark of Wiesner-Hager Möbel GmbH: Nooi.

™ The following are trademarks of Polyvision: Accord, a3, e3, Boundri, and Nota.

™ The following is a trademark of Bostock Company, Inc: SnapCab.

™ The following is a trademark of Williams-Sonoma, Inc: West Elm.

™ The following is a trademark of Elena Marquina Testor: nanimarquina.

™ The following is a trademark of Forbo International SA: Forbo.

Trademarks used herein are the property of Steelcase Inc. or their respective owners.