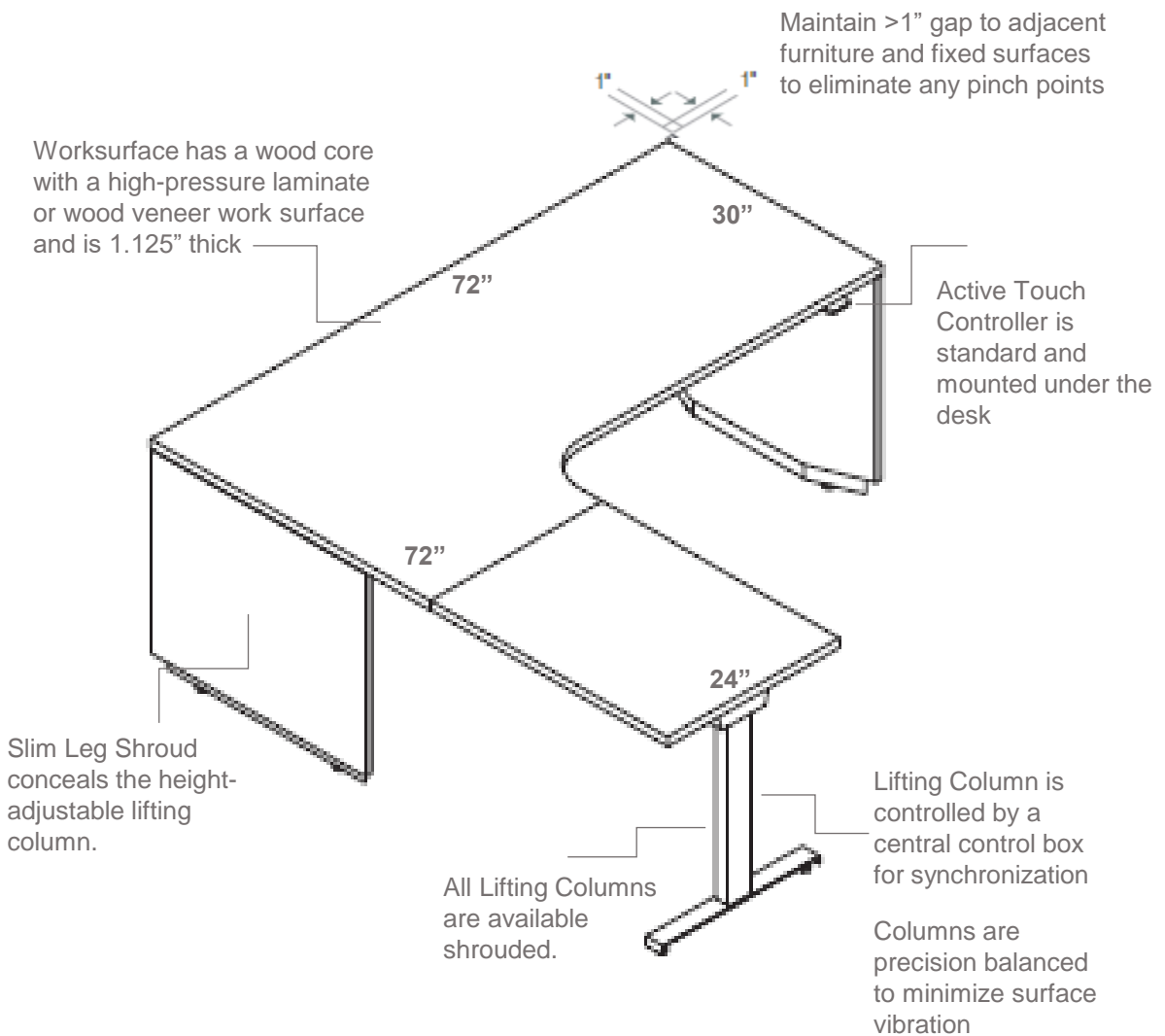


Slim Leg Height-adjustable Desk - Corner

The Slim Leg height-adjustable desk was designed to support wellbeing and the dynamic work of workers today. The light and modern aesthetic provides a visual richness with a range of styles, applications and materials.

Versatile laminates. Beautiful metal finishes. Slim Leg offers an array of material choices, providing organizations with extensive options to enhance their environment and express their brand and culture.

Slim Leg height-adjustable desk – Corner is available in a standard width of 72" x 72", with 1, 2, or 3 shrouded legs. The top has two variations – radius or square corner. Additional sizes and options can be requested as a Special using the style numbers listed on page 2.

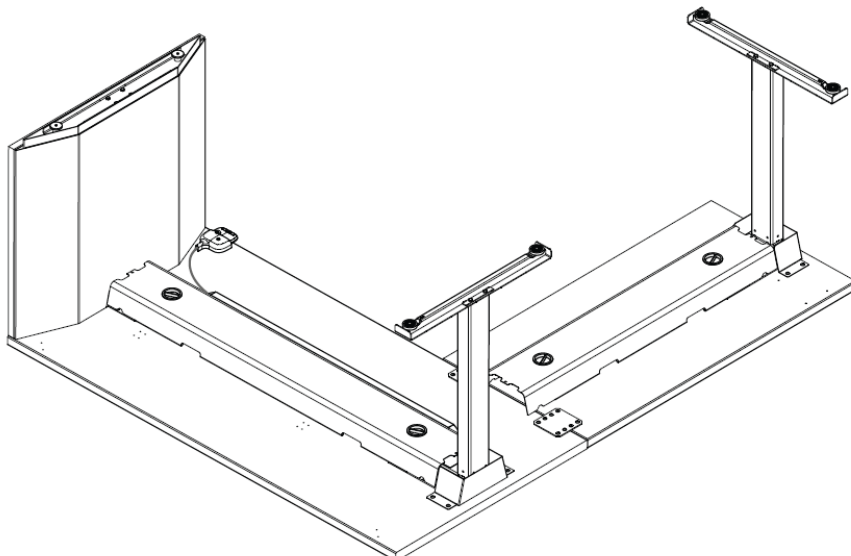
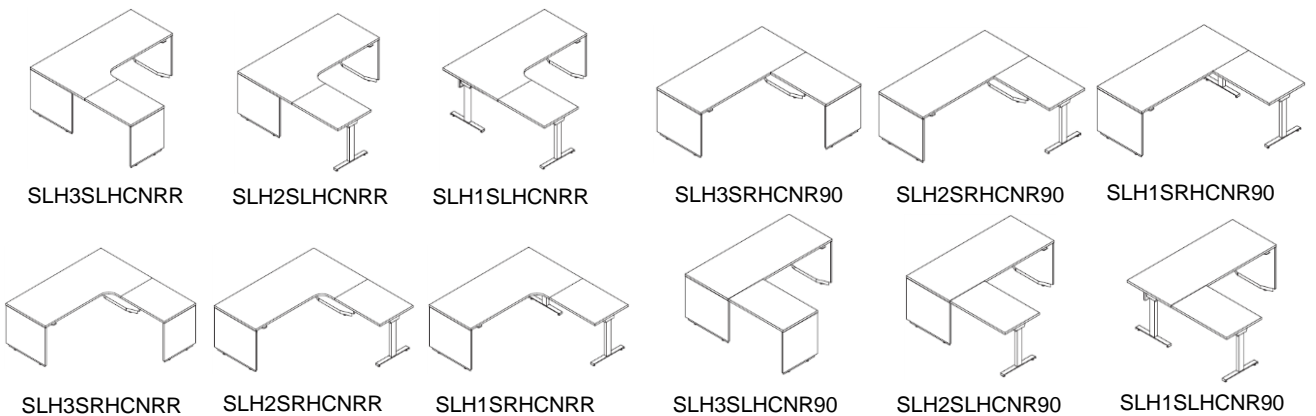


Statement of Line

| Specification Details for Slim Leg HAD - Corner | |
|---|---|
| Width | Standard Width: 72"x72" <i>Available up to 84"x84" with work surface depth limitations as a Special.</i> |
| Depth | Standard Depth Main Surface: 30" Standard Depth Return Surface: 24" <i>Return Depths of as low as 22" and as high as 30" are allowed on the return work surface as a Special.</i> |
| Profile | Square 3mm Veneer & Laminate on user and guest side. |
| Integrated Storage | Standard with Currency Enhanced: CRHAD1H; CRHAD15H; CRHADCT |
| Power | Standard provides power solution required to conceal power cord through shroud. A 4-port and 6-port PDUs are available. Accessory power provided includes clamp-on attachment. |
| Modesty Panels | Standard on main surface only. |
| Grommet | Not standard. |
| Cable Riser for Dual Shroud HAD | Not standard. |
| Alternative Surfaces | Not standard. |
| Surface Extending Past Shroud. | Not standard. |

Slim Leg Radius

Slim Leg 90 Degree



FAQ

What is the size of the worksurface for the Slim Leg HAD?

- 90 degree: Main Surface - 30"D x 72"W; Return Worksurface - 24"D x 42"W

What is the pinch point guideline for the Slim Leg HAD?

- 1" application rules apply similar to other HADs.

Is there an obstruction sensor?

- Yes

What types of controllers are available?

- Both Simple Touch and Active Touch Controllers are available.

What is the height range for Slim Leg HAD?

- Height range of single stage is 28.1" - 47.8".

What is the maximum height for storage?

- Slim Leg HAD will accommodate a 1.5 high storage. The height range to the TOP of the worksurface is 28.1" and worksurfaces are 1.125" thick. Be sure to factor in cable trough and a 1" pinch point.

What is the depth/thickness of the Slim Leg shroud?

- About 3 7/8" (nominal), which includes the end panel.

What is the floor clearance of the end panel of the Slim Leg shroud when the desk is at its lowest point?

- See Slim Leg HAD Spec guide to learn more about clearance.

What surface materials are available?

- All surface materials available on Slim Leg HAD. Refer to the spec guide for more information.

Is laminate offered in vertical grain on the worksurface?

- No, due to the sheet size of laminate. Worksurfaces are over 60" and cannot be vertical grain.

Can I combine a laminate with a veneer end panel and vice versa?

- Yes.

What color does the exposed leg come in?

- 0835 Black, 4243 Merle and 4799 Platinum metallic.

What if I want to embed the exposed leg into storage or common top?

- Can work with select Currency Enhanced storage: CRHAD1H; CRHAD15H; CRHADCT. Veneer is available – quote through E6HAD.

How do modesty panels work with Slim Leg HAD?

- A modesty panel is available as an option on the straight worksurface.

Does the modesty panel touch the leg?

- No, there is a small gap on either side of the modesty panel.

Can monitor arms be used?

- Yes, any Steelcase monitor arms can be used (both clamp-mounted and through-mounted). Be mindful of the 1" pinch point requirement.

Can I clamp on a power unit?

- Yes. Be mindful of the 1" pinch point requirement.

How do I route cords beneath the surface?

- Cords can be routed inside the cable trough.

Can I run cords inside the metal cover of the Slim Leg?

- **Only** Steelcase provided power and data cord. The power cord is secured on either side of the shroud and snakes into the opening on the left or right side of the shroud. Refer to the Slim Leg HAD spec guide for installation guidance.