
Understanding and Specifying Steelcase Flex Perch Stool Collaborative Chairs

Product Details

Steelcase Flex Perch Stool	352
Thought Starters	354
Dimensions	358

Specifying

Collaborative Chairs	361
----------------------	-----

Steelcase Flex Perch Stool

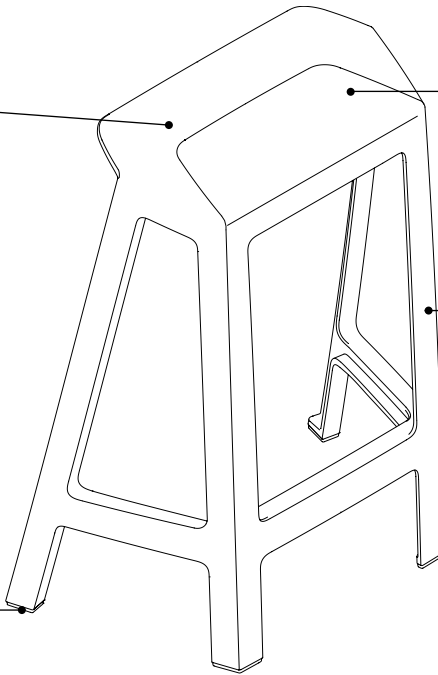
Steelcase Flex Perch is a short-term seating solution that nests for easy use and storage in your agile team spaces. Its beautiful design, flexibility, and light weight make it the perfect perching option for stand-ups, team huddles, and working sessions. Pair Steelcase Flex Perch with your current Steelcase Flex Collection applications for a seamless integration.

Frame and seat are one molded piece, available in five colors.

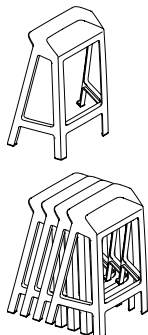
Seat is designed with a 7.2° angle, ideal for perching.

Plastic frame is a 4-leg base made with Cycled™ Nylon and available in five colors.

Plastic glides are suitable for hard floors or carpet.



Product Details

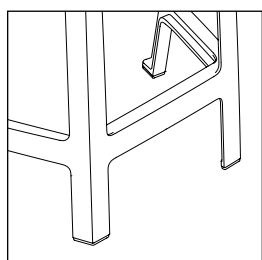


Steelcase Flex Perch are available in one height option, have a 4-leg base, and come standard with glides. Choose from single or 4-pack.

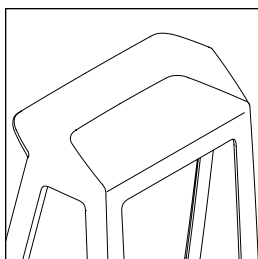
Seat and frame are molded out of Cycled™ nylon and are 100% recyclable.

One-piece molded design makes it easy for Steelcase Flex Perch to be cleaned and sanitized. See *Surface Materials Reference Guide* for detailed cleaning instructions.

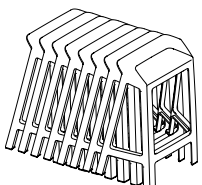
Glides are available in one type suitable for both hard floors and carpet. Glides are designed with texture to keep Steelcase Flex Perch in place during use.



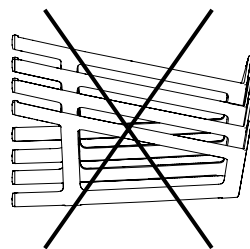
Steelcase Flex Perch stool can support up to 300 pounds, despite its lightweight of only 8.7 pounds.



Textured seat provides adequate grip ideal for perching.



Steelcase Flex Perch nest on the floor in rows. Make rows as long or as short as you'd like. There is no limit to the number of Steelcase Flex Perch that can nest.



Steelcase Flex Perch is not intended to be stacked horizontally. Storing or transporting the product in this position could cause scuffing and abrasion. Optimal storage of Steelcase Flex Perch is nested with glides on the floor.

Surface Materials

Frame and seat

- 6302 Baltic
- 6527 Merle
- 6697 Fog
- 6BD7 Saffron
- 6BE2 Light Peacock

Glides

- Soft plastic glides are made of Thermoplastic Polyurethane and come standard on all models of Steelcase Flex Perch in 6205 Black.
- Felt glides are unavailable for use with Steelcase Flex Perch.

Clean promptly to minimize staining. See *Surface Materials Reference Manual* for detailed cleaning instructions.

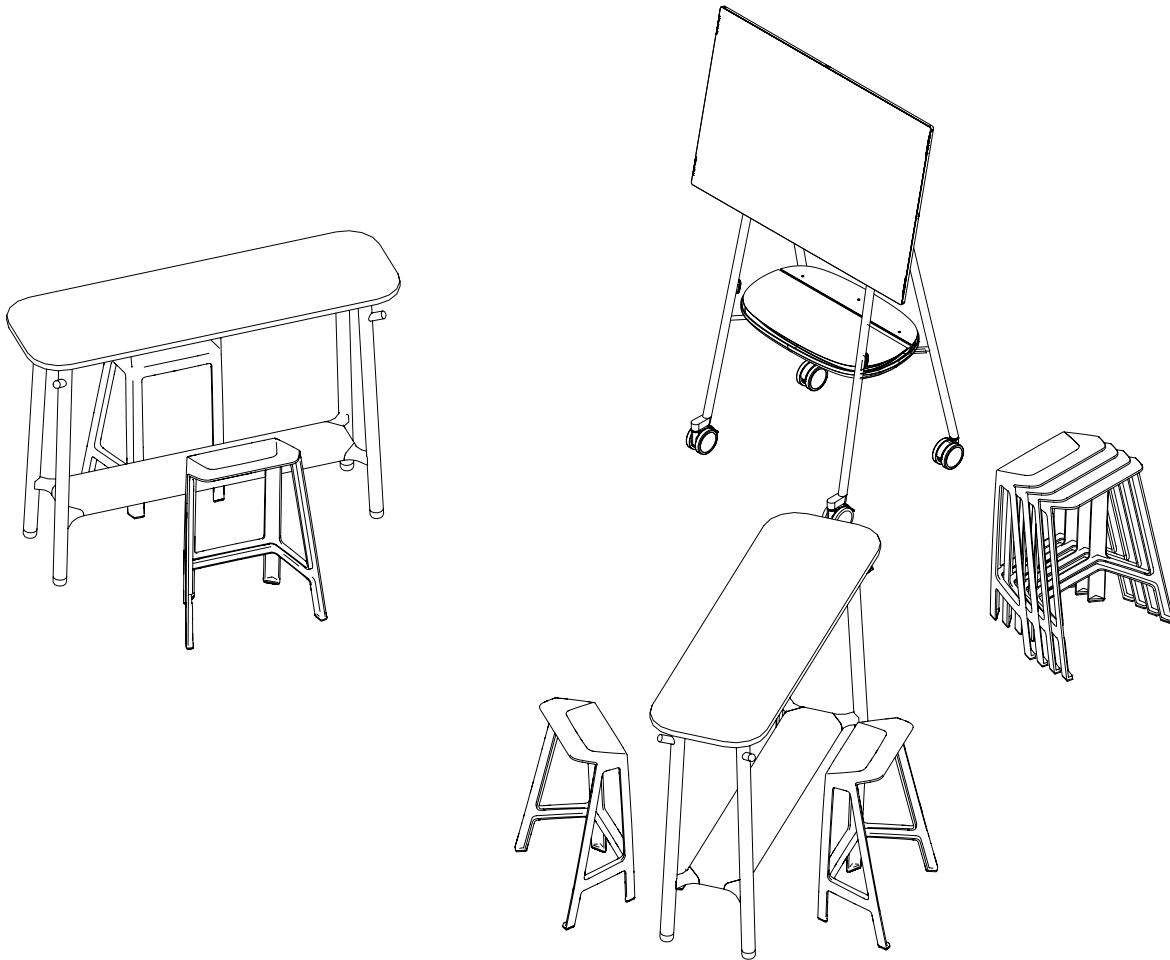
Programs & Services

▶ See the *Surface Materials Reference Manual* for further detail about programs and services offered for seating.

Thought Starters

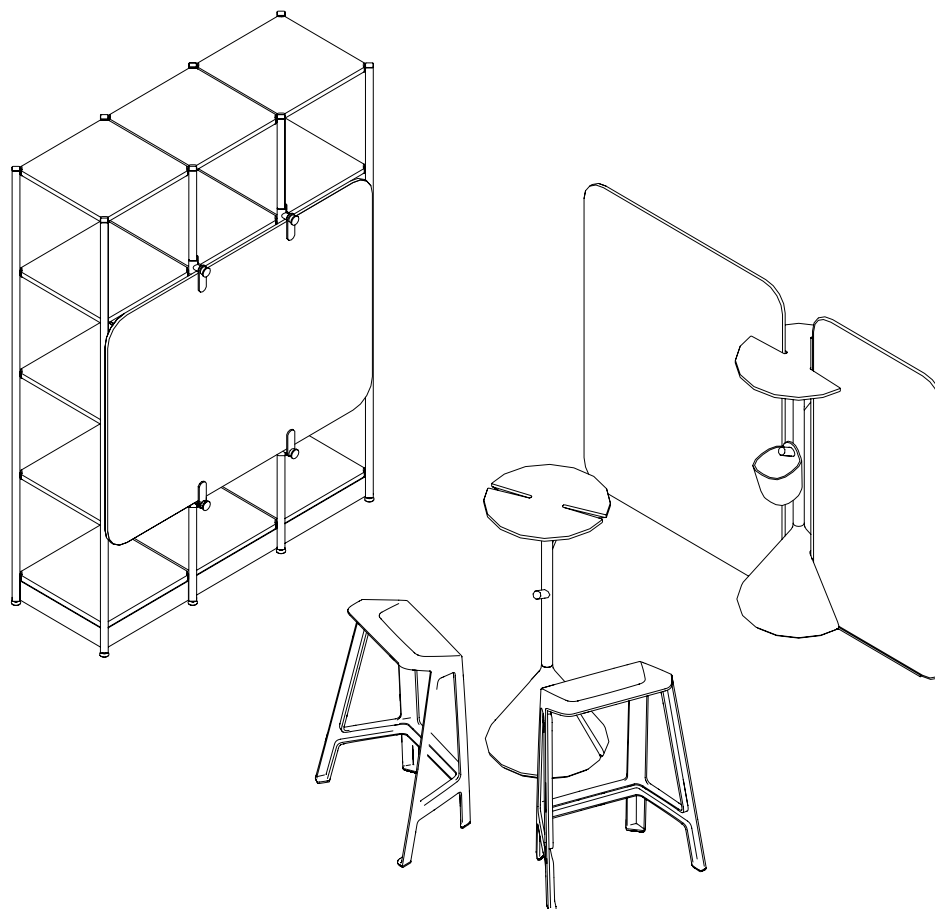
Steelcase Flex Perch Stool

Team Huddle



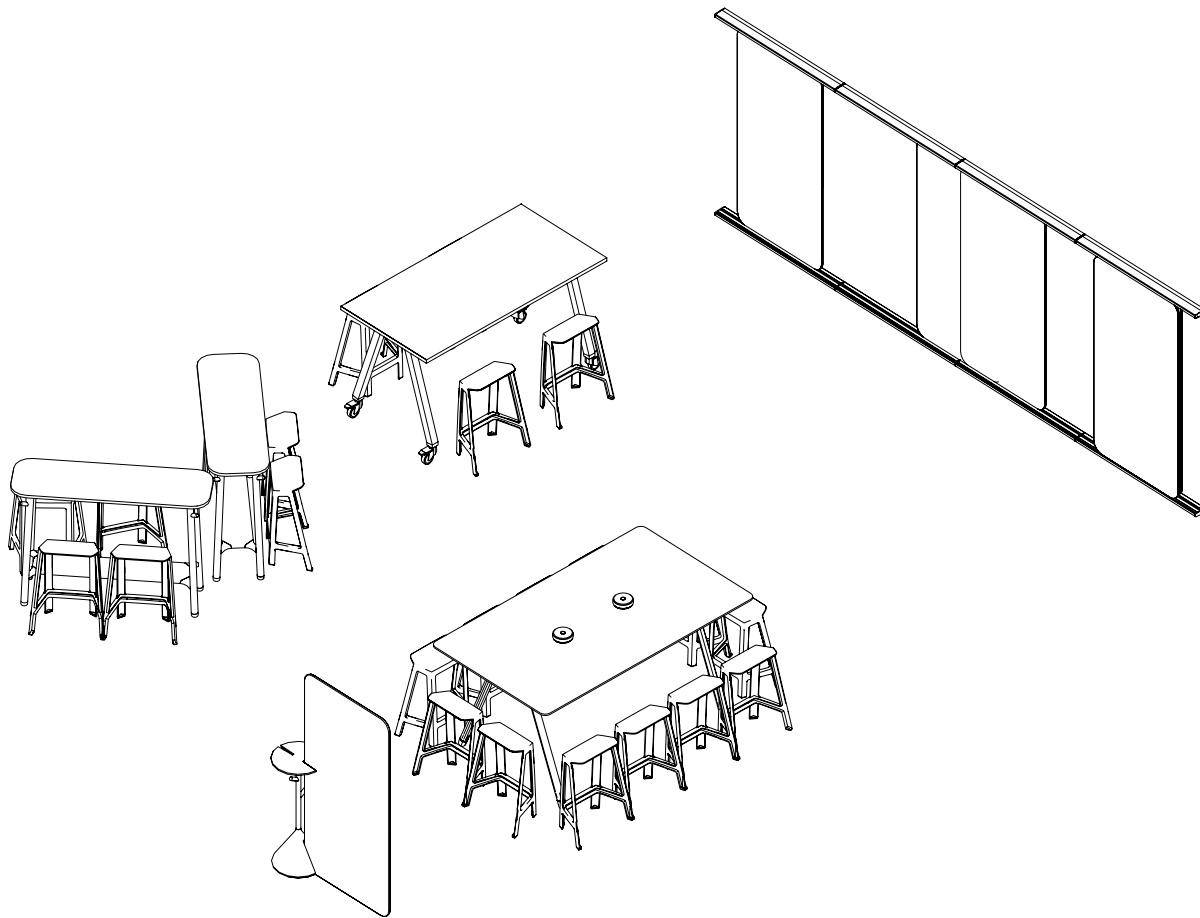
Quantity	Style Number	Description	Options	Page for Ordering
2	FLXPR4	Steelcase Flex Perch Stool (4-Pack)		▶ Page 361
1	STPM1CART	Steelcase Roam Cart		▶ See <i>Steelcase Roam Specification Guide</i> .
2	FLXWTH	Flex, Standing-Height	29"W	▶ See <i>Steelcase Flex Collection Specification Guide</i> .

Vertical Collaboration



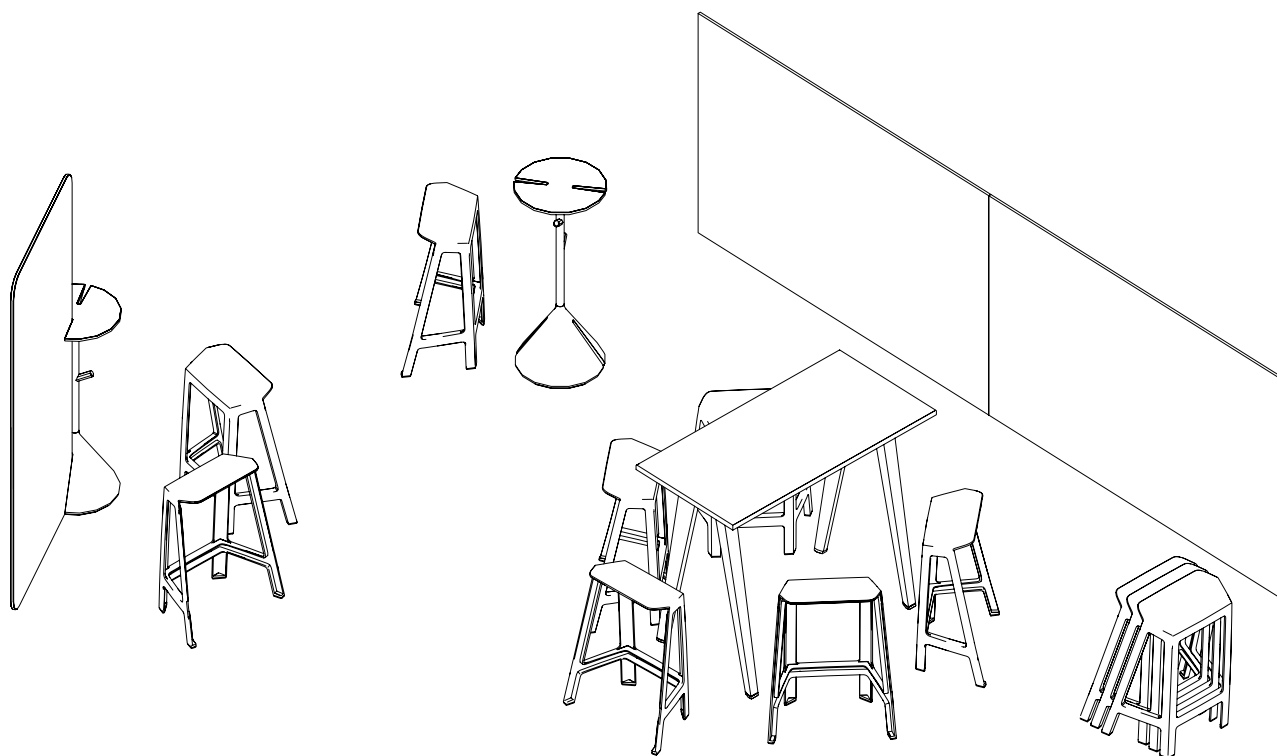
Quantity	Style Number	Description	Options	Page for Ordering
2	FLXPR1	Steelcase Flex Perch Stool		▶ Page 361
2	FLXSTAND	Flex, Stand		▶ See <i>Steelcase Flex Collection Specification Guide</i> .
2	FLXMB	Flex, Markerboard		▶ See <i>Steelcase Flex Collection Specification Guide</i> .
1	FLXFSRQ	Flex, Freestanding Screen, Rectangle	35 ¹ / ₂ "W	▶ See <i>Steelcase Flex Collection Specification Guide</i> .
1	FLXAFFRAME	Flex, Frame	1 Wide Frame 4 Units High	▶ See <i>Steelcase Flex Collection Specification Guide</i> .
2	FLXAFFRAMEEXT	Flex, Frame	1 Wide Frame 4 Units High	▶ See <i>Steelcase Flex Collection Specification Guide</i> .
1	FLXAFMBRDCLIP	Flex, Mobile Board Clips		▶ See <i>Steelcase Flex Collection Specification Guide</i> .
1	FLEXCUP	Flex, Cup		▶ See <i>Steelcase Flex Collection Specification Guide</i> .

Makerspace



Quantity	Style Number	Description	Options	Page for Ordering
2	FLXPR1	Steelcase Flex Perch Stool		▶ Page 361
5	FLXPR4	Steelcase Flex Perch Stool (4-Pack)		▶ Page 361
1	FLXWRPKG	Flex, Wall Rail Package	96"	▶ See <i>Steelcase Flex Collection Specification Guide</i> .
2	FLXSTAND	Flex, Stand		▶ See <i>Steelcase Flex Collection Specification Guide</i> .
1	FLXMB	Flex, Markerboard		▶ See <i>Steelcase Flex Collection Specification Guide</i> .
2	FLXSLIM	Flex, Slim Table		▶ See <i>Steelcase Flex Collection Specification Guide</i> .
1	25216F	Smith System Planner Studio Rectangle, 40" high fixed casters		▶ See <i>Smith Systems Price List</i> .
1	COFOFRECST	Potrero415 Standing-height rectangular table	48"x120", and 2 PowerPod grommets	▶ See <i>Coalesse Tables, Storage, and Accessories Specification Guide</i> .

Education Transition Space



Quantity	Style Number	Description	Options	Page for Ordering
3	FLXPR1	Steelcase Flex Perch Stool		▶ Page 361
2	FLXPR4	Steelcase Flex Perch Stool (4-Pack)		▶ Page 361
2	FLXSTAND	Flex, Stand		▶ See <i>Steelcase Flex Collection Specification Guide</i> .
1	FLXFSRQ	Flex, Freestanding Screen, Rectangle	30"W	▶ See <i>Steelcase Flex Collection Specification Guide</i> .
1	N3LRECT	B-Free standing-height table, rectangular table	60"W x 32"D; One end with one power/ one dual USB	▶ Page 674
2	SANS	PolyVision a ³ CeramicSteel Sans	47" x 72"	▶ See <i>Meeting Spaces Specification Guide</i> .

Dimensions

Steelcase Flex Perch Stool

	• Overall Depth	• Overall Width	• Overall Height	• Seat Depth	• Seat Width	• Seat Height from floor (Front of seat)	• Seat Height from floor (Back of seat)
Flex Perch Stool	12 ¹ / ₂ "	21 ¹ / ₂ "	28 ¹ / ₈ "	9 ¹ / ₈ "	17 ⁵ / ₈ "	26 ⁵ / ₈ "	28 ¹ / ₈ "

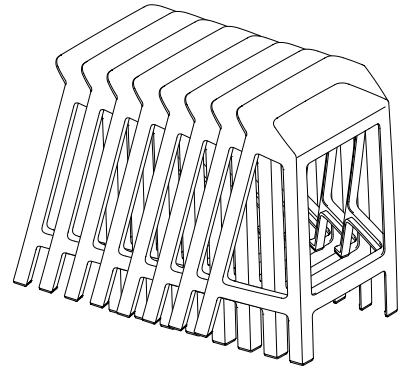
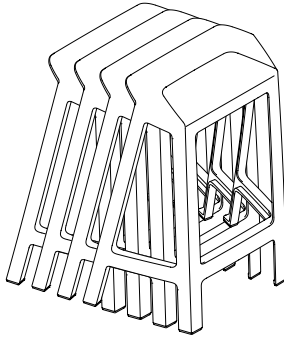
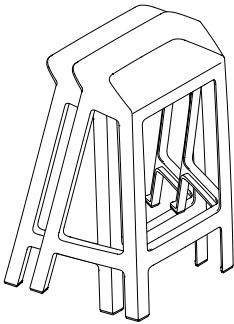
•Seat •Angle	•Footrest •height from floor	•Footrest •height from seat
7.2°	8 ¹ / ₁₆ "	18 ⁹ / ₁₆ "

Nested Dimensions

Steelcase Flex Perch Stool

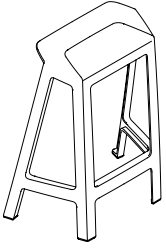
Nested Applications

Steelcase Flex Perch nests on the floor in rows. Rows can be long or short. There is no limit to the number of perches that can nest. To help with spacing this application, the following outline the nesting dimensions of common number of units in an application.



Number of Nested Stools	Overall Width	Overall Depth
1	21 1/2"	12 1/2"
2	21 1/2"	15 1/2"
4	21 1/2"	21 1/2"
8	21 1/2"	33 1/2"
12	21 1/2"	45 1/2"

Steelcase Flex Perch Stools



Tip: Nest your Steelcase Flex Perch in rows for easy storage. There is no limit to the number of perches that can be nested together.

Tip: Steelcase Flex Perch is a single molded component, plastic frame color option applies to both frame and seat.

Tip: Steelcase Flex Perch comes standard with soft plastic glides. No additional glide options are available.

Tip: Glides may scratch hardwood floors. To minimize damage, keep floors and glides clean of dirt and debris.

Standard Includes	Required to Specify
<ul style="list-style-type: none"> ▶ Need help? Product details, page 352 • 28¹/₈" height perching stool • Molded plastic frame and seat • Soft plastic glides 	<ul style="list-style-type: none"> 1 Style number 2 Plastic color number for frame

Options	U.S. Price	Required to Specify
Surface Materials		
Frame and Seat <ul style="list-style-type: none"> • Baltic • Merle • Fog • Saffron • Light Peacock 	<ul style="list-style-type: none"> No cost No cost No cost No cost No cost 	<ul style="list-style-type: none"> Specify with 6302 Baltic. Specify with 6527 Merle. Specify with 6697 Fog. Specify with 6BD7 Saffron. Specify with 6BE2 Light Peacock.

Specification Information		
Style Number	Description	U.S. Price
FLXPR1	Single	\$ 397
FLXPR4	4-pack	\$1304
:	:	:

▶ Detailed dimensions, page 358



For Canadian Pricing

Multiply U.S. Price by the Canadian price factor.

▶ See page 1 for details.

