
Understanding and Specifying Flex Perch Stool

Collaborative Chairs



Product Details

Flex Perch Stool	312
Thought Starters	314
Dimensions	318



Specifying

Collaborative Chairs	321
----------------------	-----

Flex Perch Stool

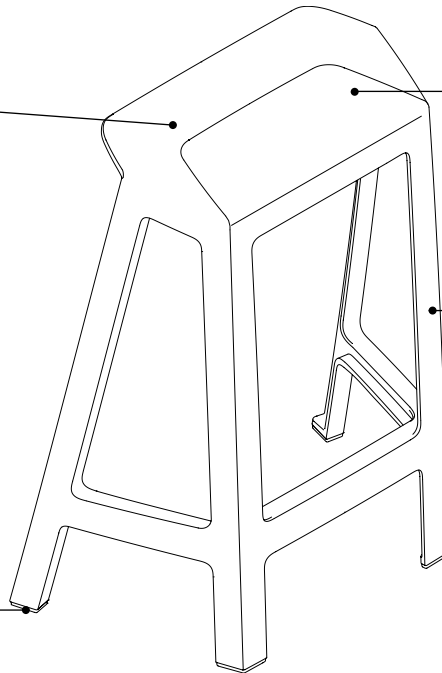
Flex Perch is a short-term seating solution that nests for easy use and storage in your agile team spaces. Its beautiful design, flexibility, and light weight make it the perfect perching option for stand-ups, team huddles, and working sessions. Pair Flex Perch with your current Flex Collection applications for a seamless integration.

Frame and seat are one molded piece, available in five colors.

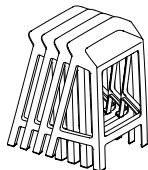
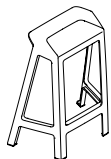
Seat is designed with a 7.2° angle, ideal for perching.

Plastic frame is a 4-leg base made with ChemCycled Nylon and available in five colors.

Plastic glides are suitable for hard floors or carpet.



Product Details



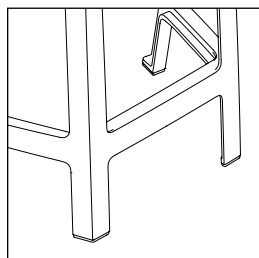
Flex Perch are available in one height option, have a 4-leg base, and come standard with glides. Choose from single or 4-pack.

Seat and frame are molded out of ChemCycled nylon and are 100% recyclable.

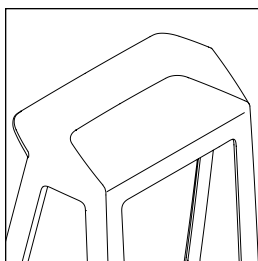
One-piece molded design makes it easy for Flex Perch to be cleaned and sanitized. See *Surface Materials Reference Guide* for detailed cleaning instructions.

Continuing to design with sustainability and increasing product recyclability as core principles, color variation such as swirls, lines, and halos may be visible.

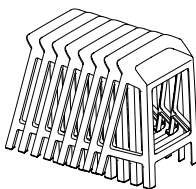
Glides are available in one type suitable for both hard floors and carpet. Glides are designed with texture to keep Flex Perch in place during use.



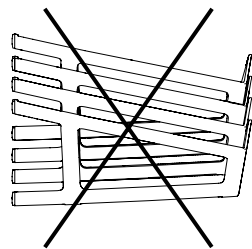
Flex Perch stool can support up to 300 pounds, despite its lightweight of only 8.7 pounds.



Textured seat provides adequate grip ideal for perching.



Flex Perch nest on the floor in rows. Make rows as long or as short as you'd like. There is no limit to the number of Flex Perch that can nest.



Flex Perch is not intended to be stacked horizontally. Storing or transporting the product in this position could cause scuffing and abrasion. Optimal storage of Flex Perch is nested with glides on the floor.

Surface Materials

Frame and seat

- 6302 Baltic
- 6527 Merle
- 6697 Fog
- 6BD7 Saffron
- 6BE2 Light Peacock

Glides

- Soft plastic glides are made of Thermoplastic Polyurethane and come standard on all models of Flex Perch in 6205 Black.
- Felt glides are unavailable for use with Flex Perch.

Clean promptly to minimize staining. See *Surface Materials Reference Manual* for detailed cleaning instructions.

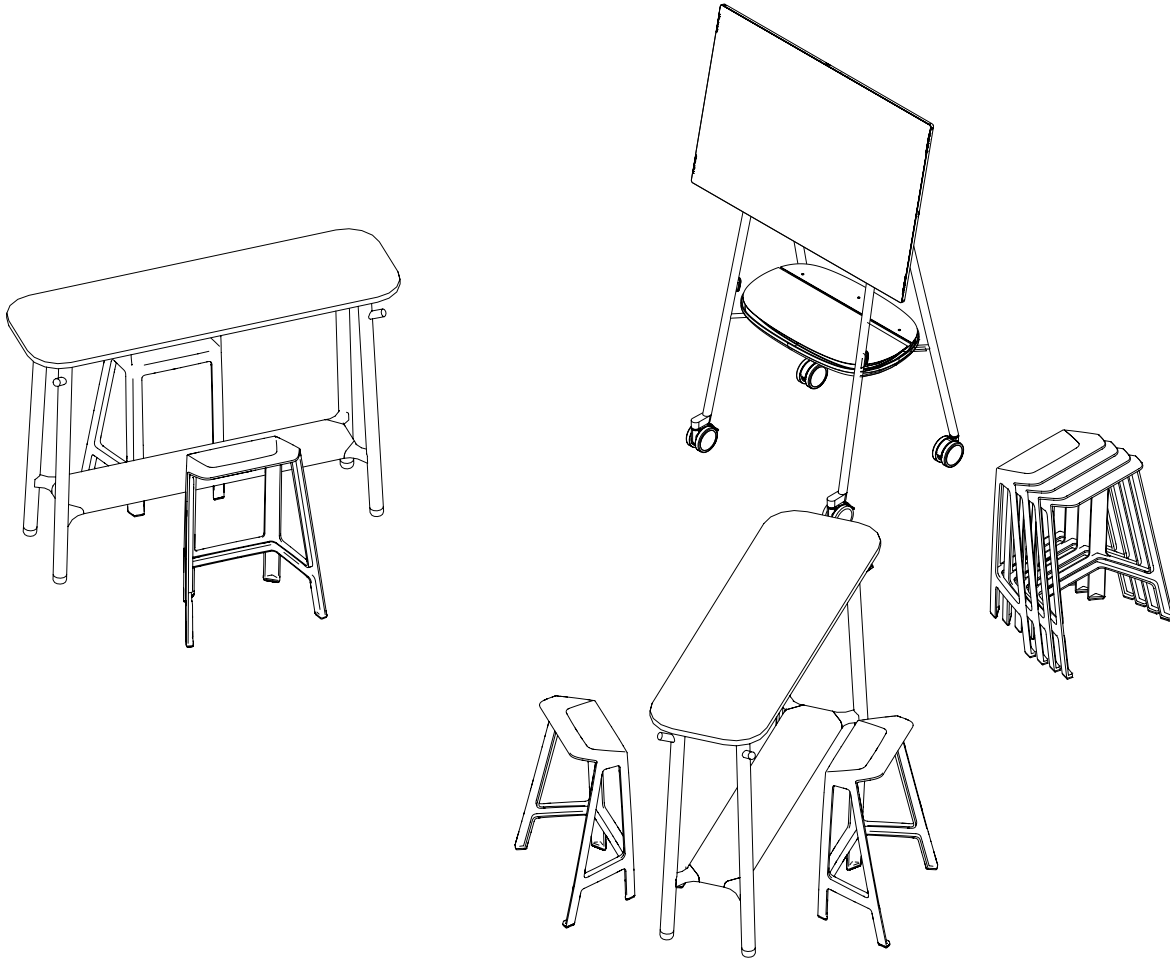
Programs & Services

► See the *Surface Materials Reference Manual* for further detail about programs and services offered for seating.

Thought Starters

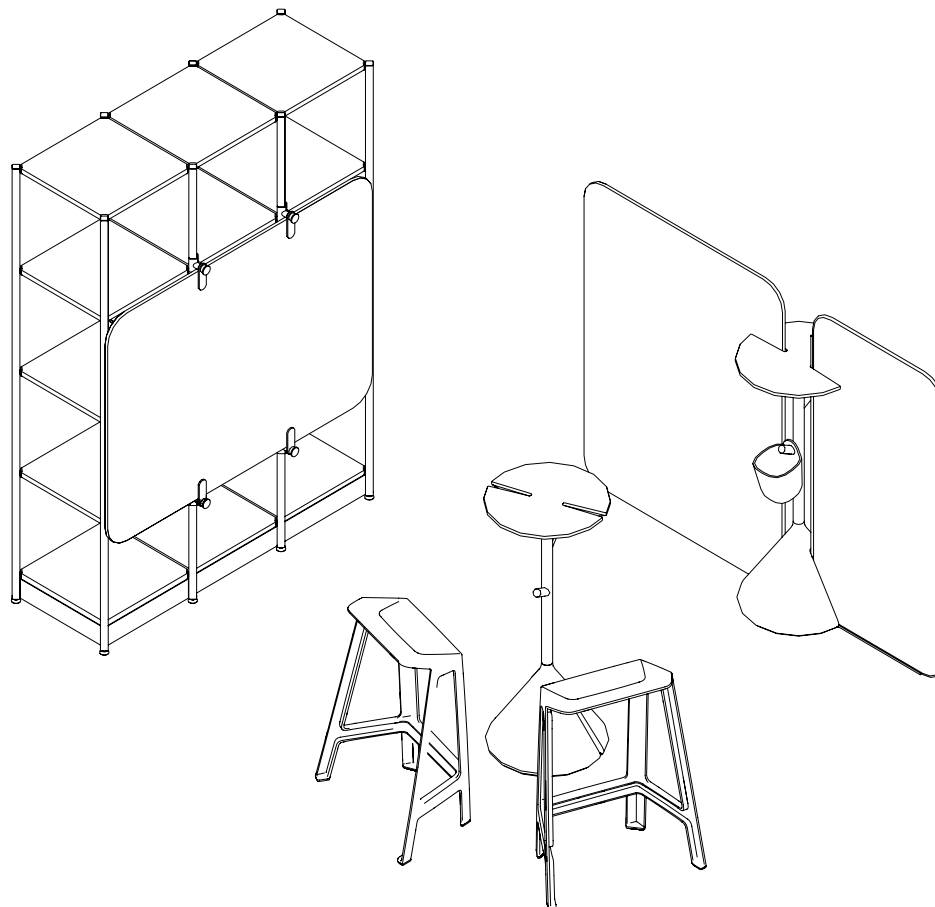
Flex Perch Stool

Team Huddle



Quantity	Style Number	Description	Options	Page for Ordering
2	FLXPR4	Flex Perch Stool (4-Pack)		▶ Page 321
1	STPM1CART	Steelcase Roam Cart		▶ See <i>Steelcase Roam Specification Guide</i> .
2	FLXWTH	Flex, Standing-Height	29"W	▶ See <i>Flex Collection Specification Guide</i> .

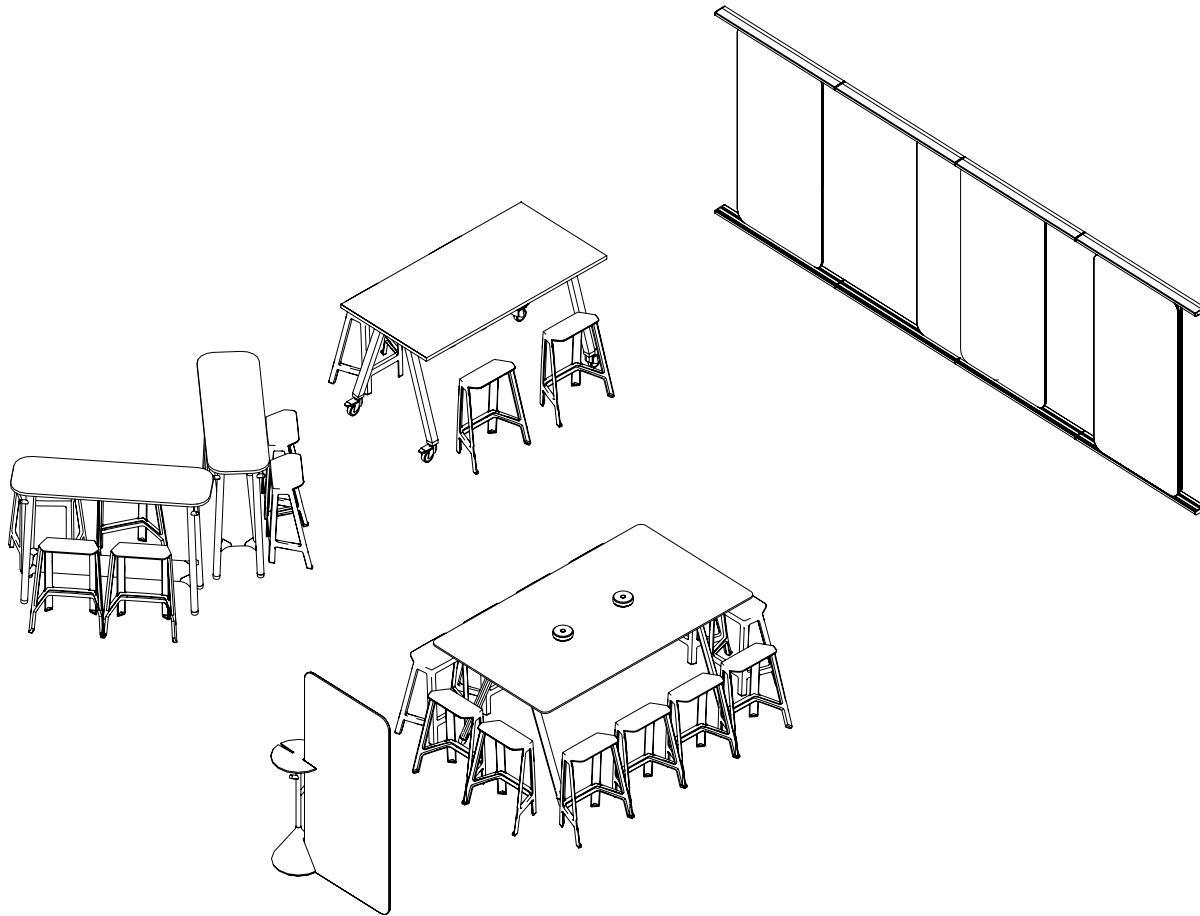
Vertical Collaboration



Flex Perch Stool

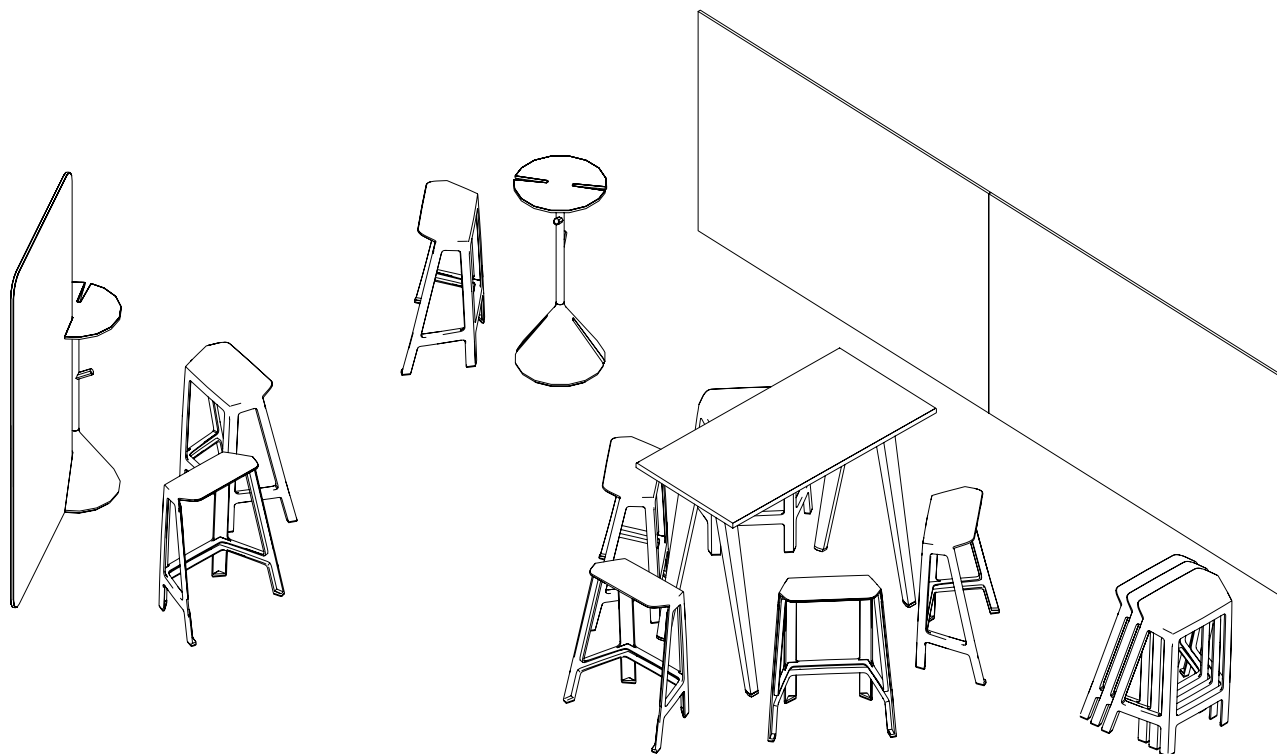
Quantity	Style Number	Description	Options	Page for Ordering
2	FLXPR1	Flex Perch Stool		▶ Page 321
2	FLXSTAND	Flex, Stand		▶ See <i>Flex Collection Specification Guide</i> .
2	FLXMB	Flex, Markerboard		▶ See <i>Flex Collection Specification Guide</i> .
1	FLXFSRQ	Flex, Freestanding Screen, Rectangle	35 1/2"W	▶ See <i>Flex Collection Specification Guide</i> .
1	FLXAFFRAME	Flex, Frame	1 Wide Frame 4 Units High	▶ See <i>Flex Collection Specification Guide</i> .
2	FLXAFFRAMEEXT	Flex, Frame	1 Wide Frame 4 Units High	▶ See <i>Flex Collection Specification Guide</i> .
1	FLXAFMRDCLIP	Flex, Mobile Board Clips		▶ See <i>Flex Collection Specification Guide</i> .
1	FLEXCUP	Flex, Cup		▶ See <i>Flex Collection Specification Guide</i> .

Makerspace



Quantity	Style Number	Description	Options	Page for Ordering
2	FLXPR1	Flex Perch Stool		▶ Page 321
5	FLXPR4	Flex Perch Stool (4-Pack)		▶ Page 321
1	FLXWRPKG	Flex, Wall Rail Package	96"	▶ See <i>Flex Collection Specification Guide</i> .
2	FLXSTAND	Flex, Stand		▶ See <i>Flex Collection Specification Guide</i> .
1	FLXMB	Flex, Markerboard		▶ See <i>Flex Collection Specification Guide</i> .
2	FLXSLIM	Flex, Slim Table		▶ See <i>Flex Collection Specification Guide</i> .
1	25216F	Smith System Planner Studio Rectangle, 40" high fixed casters		▶ See <i>Smith Systems Price List</i> .
1	COFOFRECST	Potrero415 Standing-height rectangular table	48"x120", and 2 PowerPod grommets	▶ See <i>Coalesse Tables, Storage, and Accessories Specification Guide</i> .

Education Transition Space



Flex Perch Stool

Quantity	Style Number	Description	Options	Page for Ordering
3	FLXPR1	Flex Perch Stool		▶ Page 321
2	FLXPR4	Flex Perch Stool (4-Pack)		▶ Page 321
2	FLXSTAND	Flex, Stand		▶ See <i>Flex Collection Specification Guide</i> .
1	FLXFSRQ	Flex, Freestanding Screen, Rectangle	30"W	▶ See <i>Flex Collection Specification Guide</i> .
1	N3LRECT	B-Free standing-height table, rectangular table	60"W x 32"D; One end with one power/ one dual USB	▶ Page 584
2	SANS	PolyVision a ³	47" x 72" CeramicSteel Sans	▶ See <i>Collaborative Surfaces Specification Guide</i> .

Dimensions

Flex Perch Stool

	• Overall • Depth	• Overall • Width	• Overall • Height	• Seat • Depth	• Seat • Width	• Seat Height • from floor • (Front of seat)	• Seat Height • from floor • (Back of seat)
Flex Perch Stool	12½"	21½"	28⅞"	9⅞"	17⅝"	26⅝"	28⅞"

• Seat • Angle	• Footrest • height from floor	• Footrest • height from seat
7.2°	8 ¹ / ₁₆ "	18 ⁹ / ₁₆ "

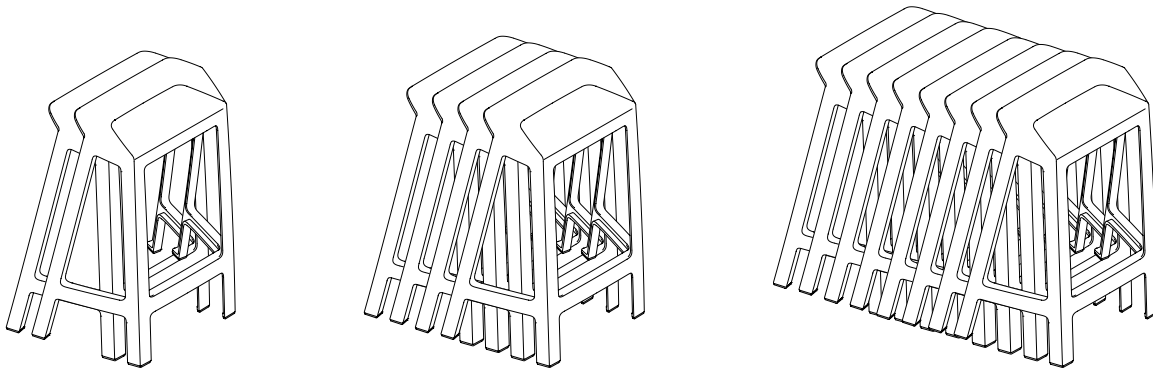
Flex Perch Stool

Nested Dimensions

Flex Perch Stool

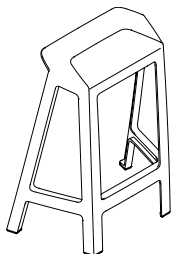
Nested Applications

Flex Perch nests on the floor in rows. Rows can be long or short. There is no limit to the number of perches that can nest. To help with spacing this application, the following outline the nesting dimensions of common number of units in an application.



Number of Nested Stools	Overall Width	Overall Depth
1	21 1/2"	12 1/2"
2	21 1/2"	15 1/2"
4	21 1/2"	21 1/2"
8	21 1/2"	33 1/2"
12	21 1/2"	45 1/2"

Flex Perch Stools



Tip: Perch stools can be nested in rows for easy storage. There is no limit to the number of stools that can be nested together.

Tip: Perch stool is a single molded component. Plastic frame color option applies to both frame and seat.

Tip: Perch stool comes standard with soft plastic glides. No additional glide options are available.

Tip: Glides may scratch hardwood floors. To minimize damage, keep floors and glides clean of dirt and debris.

Standard Includes

- 28 1/8"H perching stool
- Molded plastic frame and seat
- Soft plastic glides

Options

Frame Finish	Plastic - PG1	No cost
	Plastic - PG2	No cost

Specification Information

Style	Prices
Number	

Perch Stool, Quantity 1

FLXPR1	\$450
---------------	-------

Perch Stool, Quantity 4

FLXPR4	\$1478
---------------	--------

Flex Perch Stool

