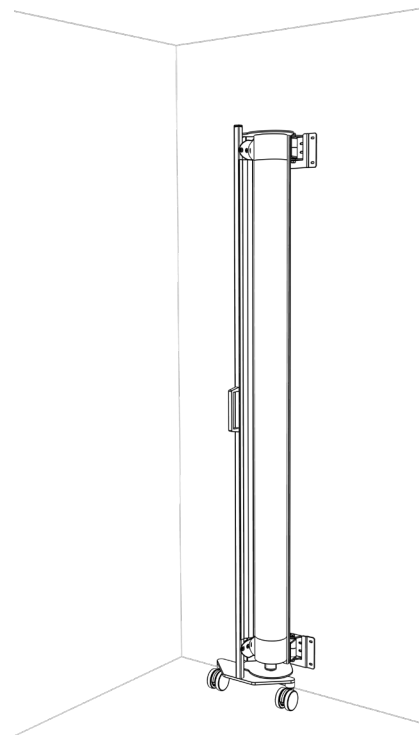
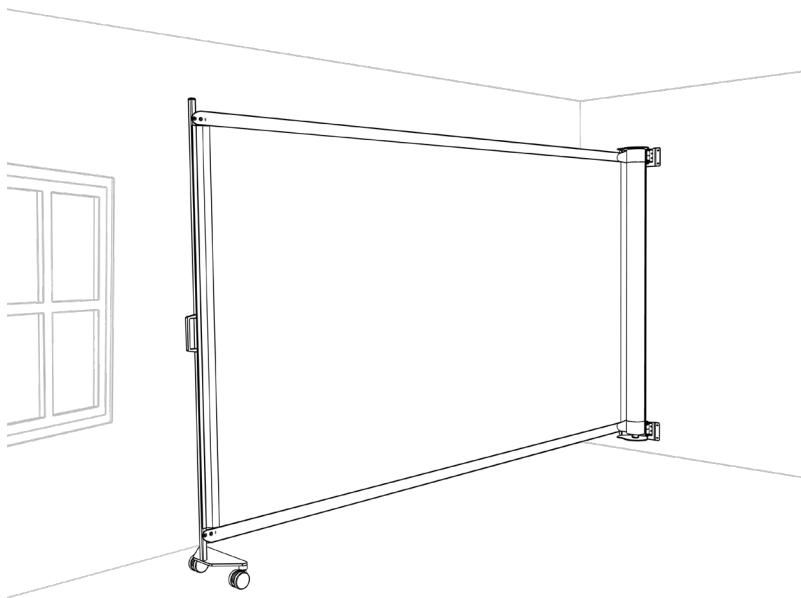
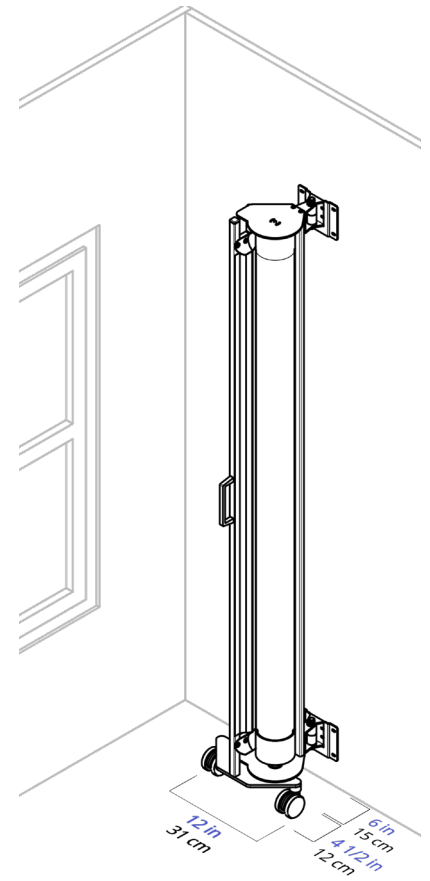
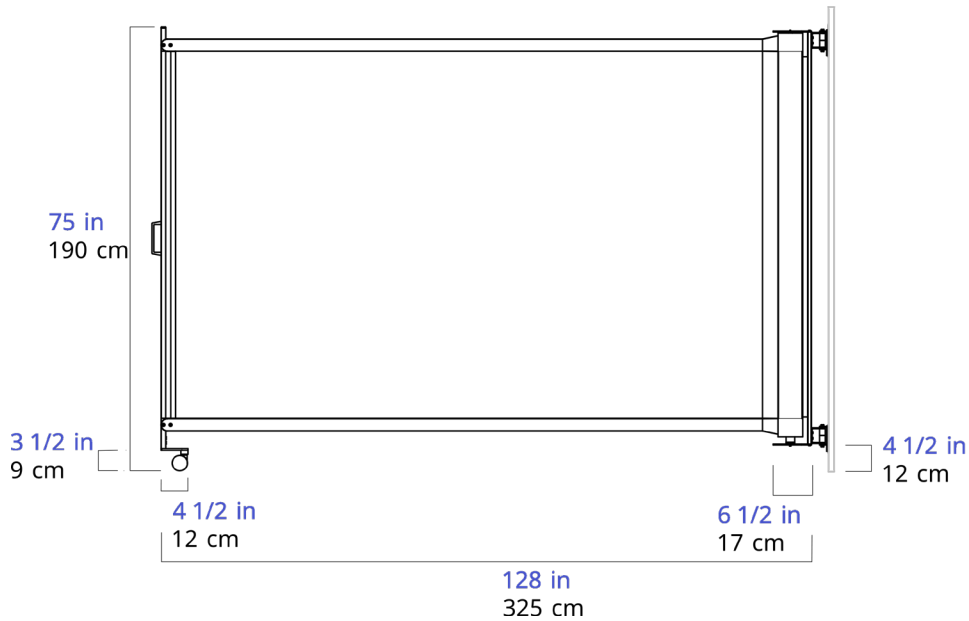


KWICSCREEN®

Air V4 Assembly Manual (Standard)





Included



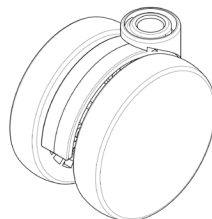
FIX-046

2x



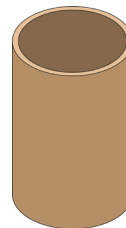
FIX-044

1x

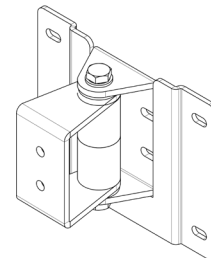


CAS-003

2x



1x



2x

General Instructions

Thank you for purchasing your KwickScreen, we hope it helps you make your space cleaner, safer and more flexible.

Before you set your screen up, please make sure to read through the following instructions.



1. Parts:

Please only use parts approved by KwickScreen. Before installing your screen, make sure all parts are present, complete and without defects. If you think some parts are missing, please get in touch.



2. Packaging:

Please take care to dispose of, or recycle any packaging material according to local regulations.



3. Retracting and extending your screen:

Push and pull the front handles gently during operation. If you need to force your screen open there maybe an issue, please contact us.



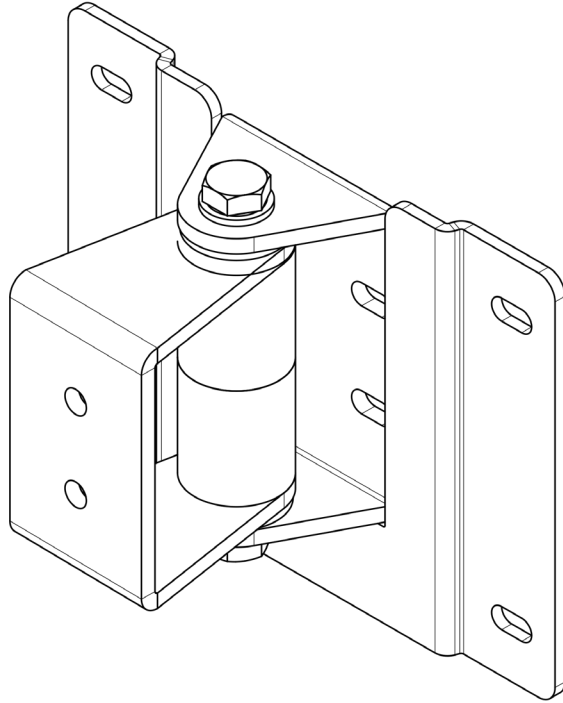
4. Using your screen:

KwickScreens are designed for use on smooth, horizontal surfaces. Extra care should be taken when using your screen on other surfaces. All wheels should be in contact with the floor at all times.

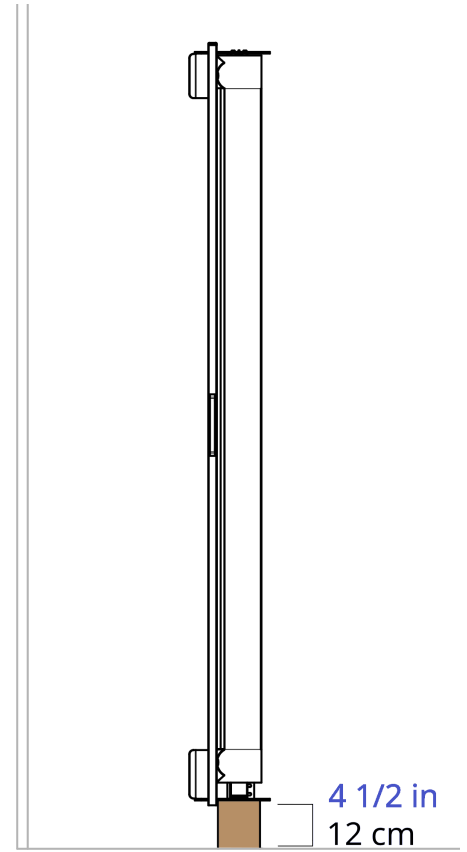
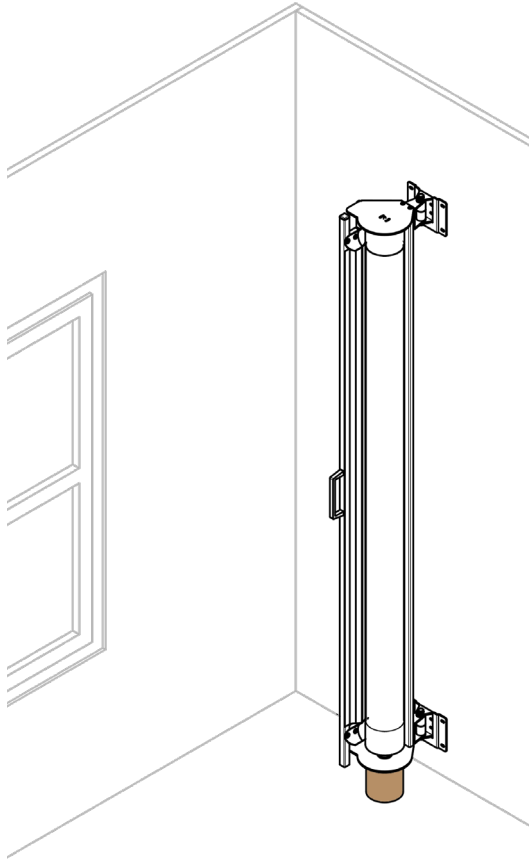


Please note: we do not advise bending the screens in any direction. Bending will damage your screen.

Pivot Bracket & Wall Mount

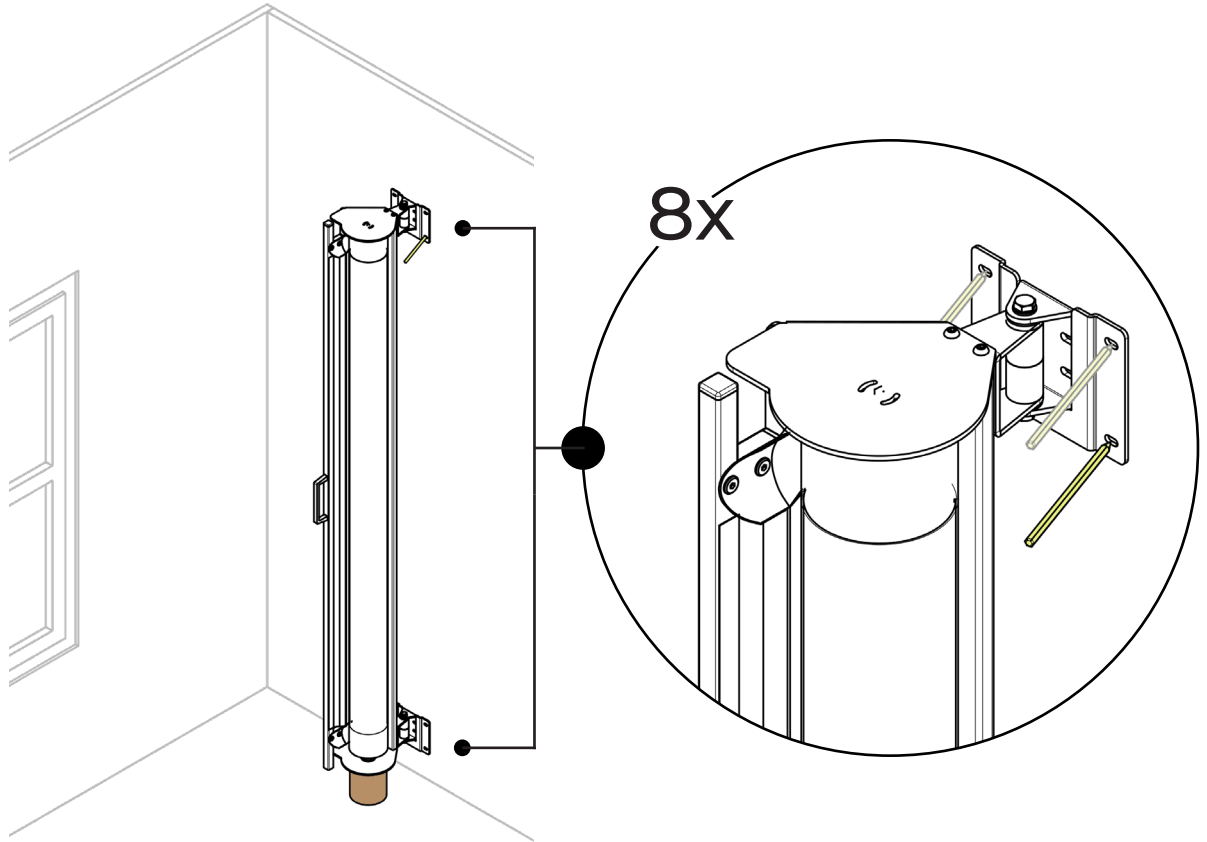


1

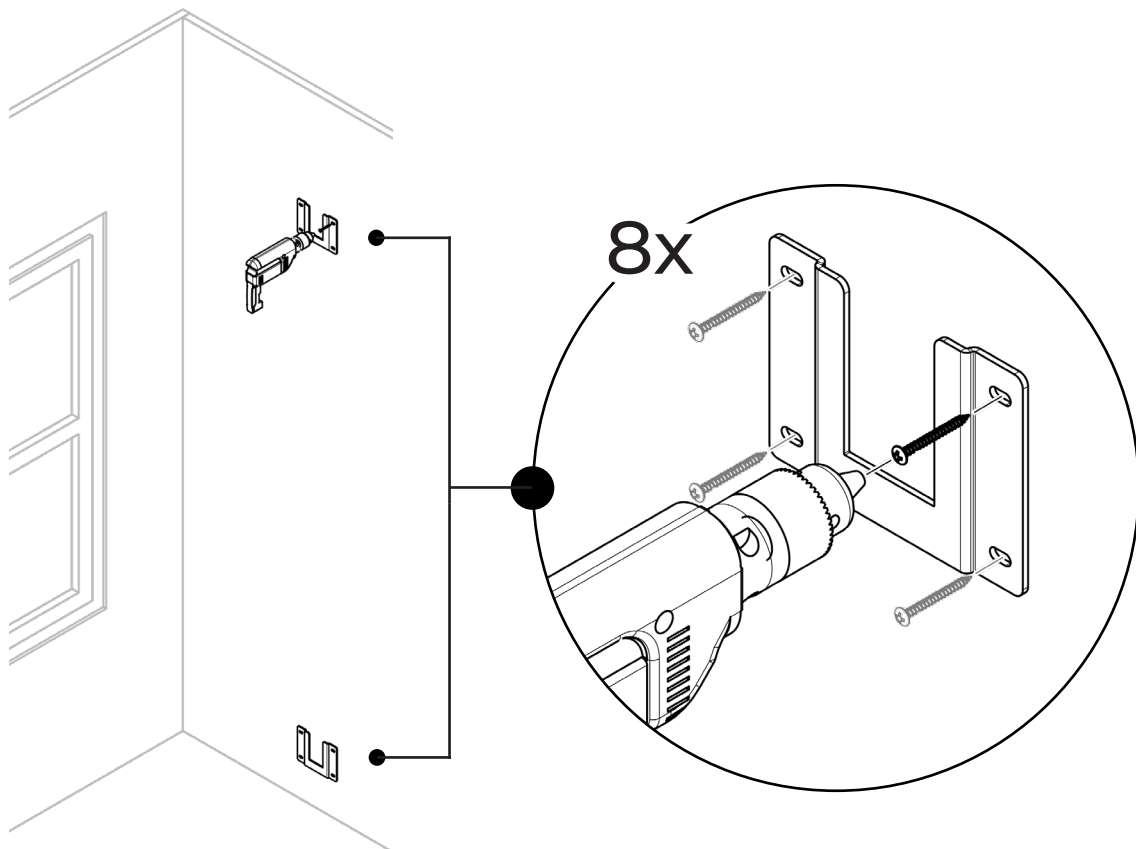


7

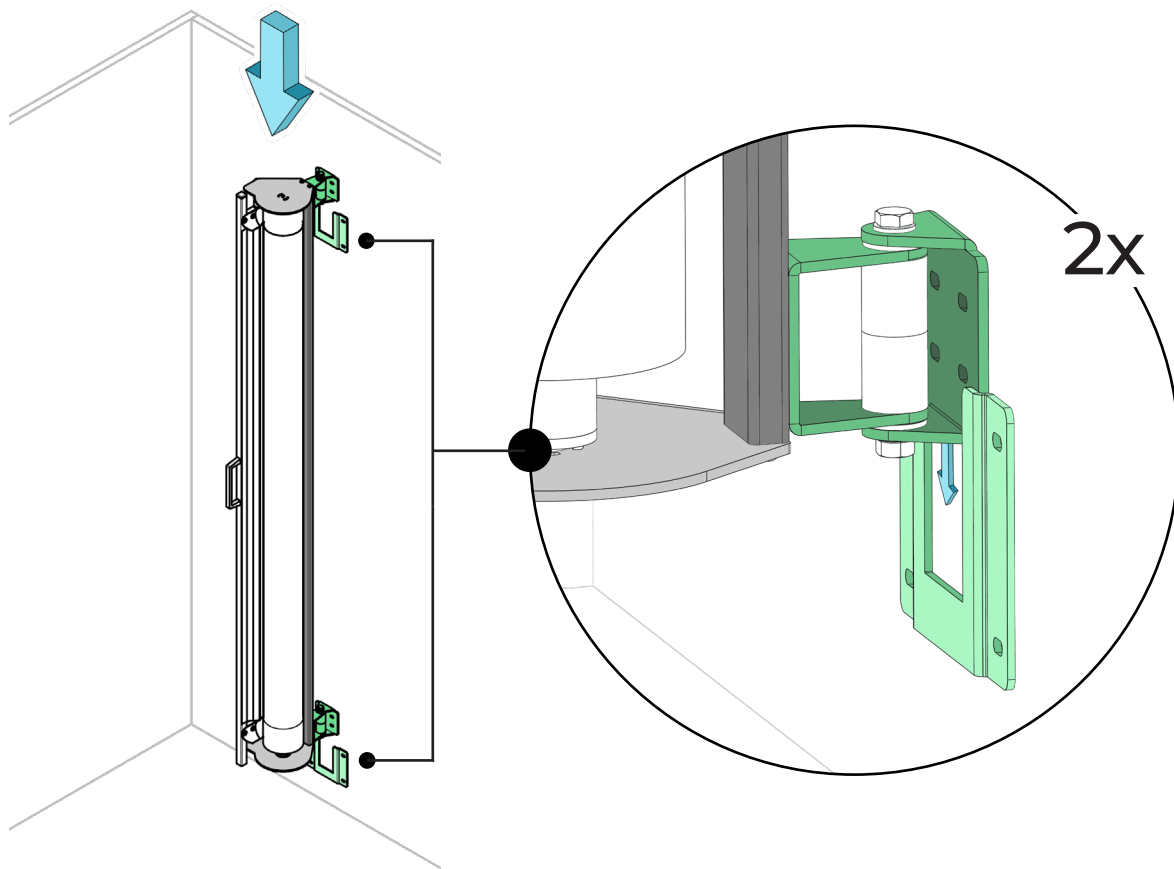
2



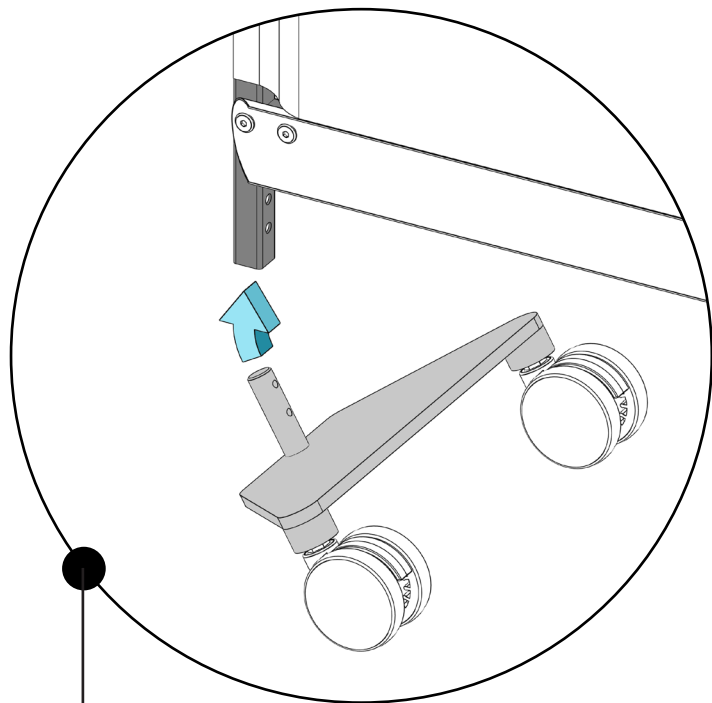
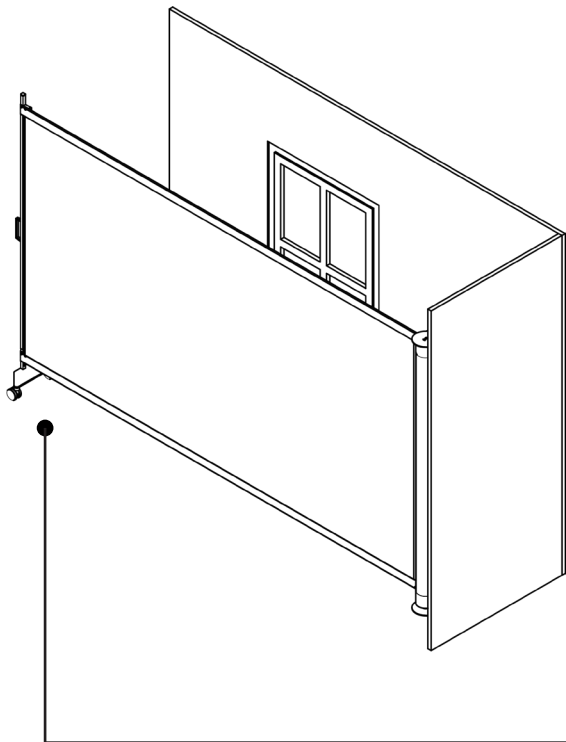
3



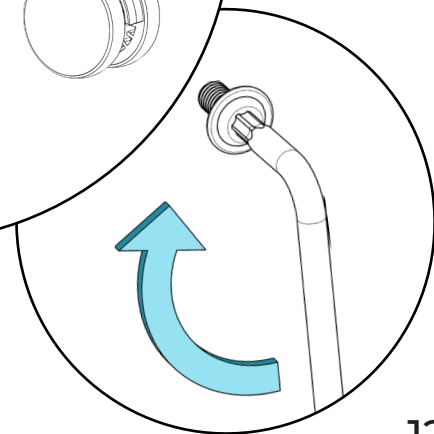
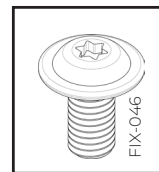
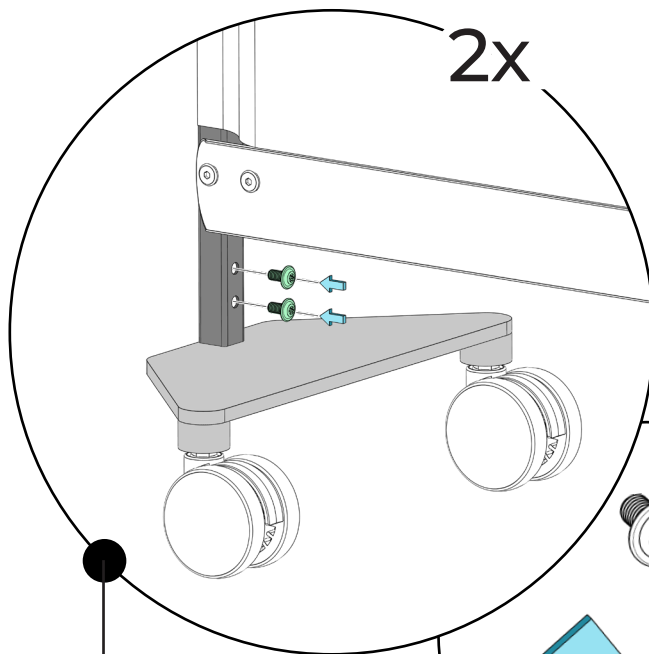
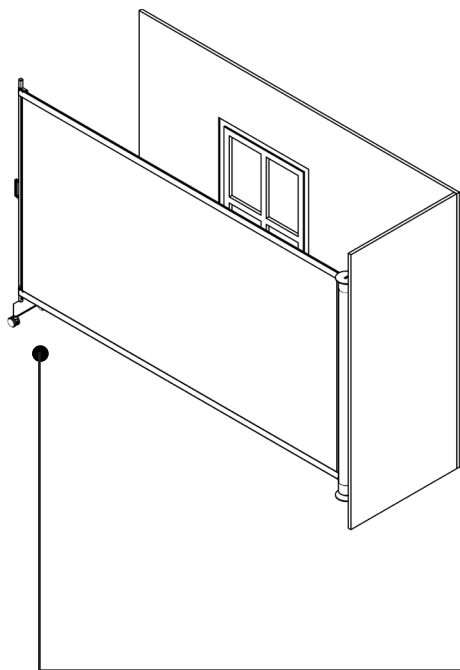
4



5



6



Cleaning your KwickScreen

KwickScreens have been designed in line with infection control performance specifications. All our screens are quick and easy to clean using standard hospital cleaning agents.



Screen composition:

- 50% steel & 20% aluminium
- The screen panel: polyester film or PVC

Everyday cleaning

You can sanitise your screen using most healthcare cleaning solutions, including:

- Quaternary
- Bleach solutions
- Sporicidal
- Virucidal disinfectants
- Hypochlorite at 1,000 — 10,000 ppm or 60% alcohol solution

Stubborn stains

If normal cleaning does not remove all the stains, the following cleaning agents may be used at room temperature:

- Methyl butyl alcohol
- Naptha VM&P
- Ethyl alcohol
- Isopropyl alcohol

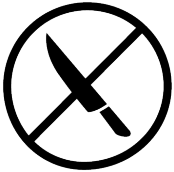


Care should be taken with printed panels when using alcohol based agents.

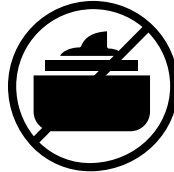
Deep cleaning

To deep clean, fully extend the screen and clean inside the body.

When cleaning your KwickScreen do not use:



Any sharp instruments
or razor blades to
scrape the surface



Wax
polishes



Products with an
abrasive surface such
as steel wool



Greases
or oils



Do not clean in direct sunlight or at elevated temperatures