

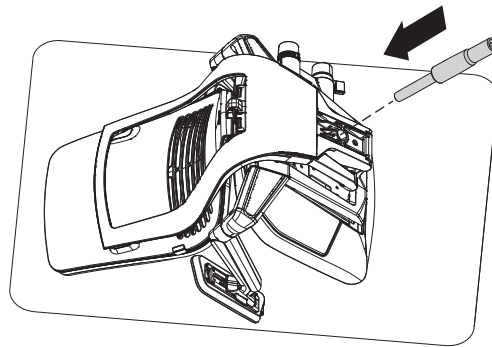


Scan this QR code to watch a Gesture assembly tutorial

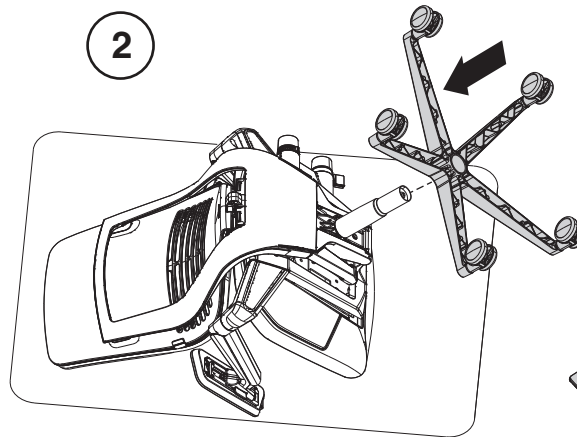


For Chair Assembly

1

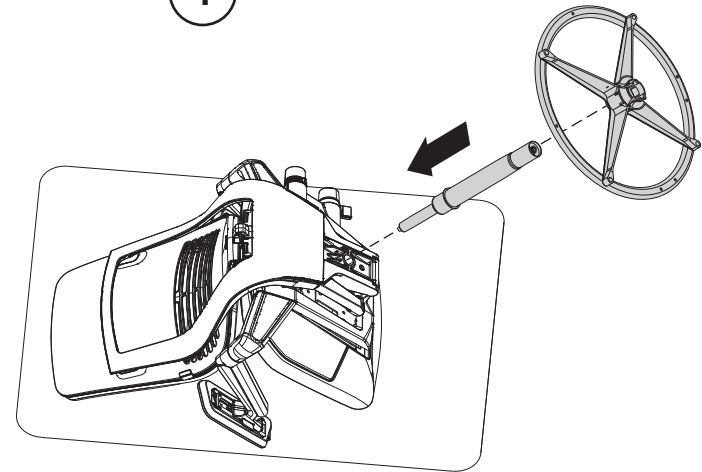


2



For Stool Assembly

1



3



4



Note: Sit in chair to securely lock components together and complete assembly