

# Campers & Dens

Design + Materiality Guide

Fall 2024

orangebox



# Table of Contents

## 01 Introduction

- Campers & Dens – What Makes It Unique
- User Needs
- Research on Privacy

## 02 Typologies & Applications

- Collaborative  
*Hybrid Conference Meeting Room,  
Informal Collaboration*
- Social  
*Lounge Area*
- Personal  
*Workstations, Private Office*
- Learning  
*Faculty Office, Student Commons*
- Rejuvenation  
*Respite Area*

## 2.1 Blended Applications

Campers & Dens seamlessly blends different applications together.

## 3.0 Materiality Inspiration

Portraying the versatile range of looks Campers & Dens offers through diverse materiality options.

## 4.0 Materiality Specification

Understanding which materials are available on the various components of Campers & Dens

---

# Introduction

---

# What makes Campers & Dens unique?

Its 5 layers of privacy redefine the workspace by enabling people to navigate by natural intuition without enforced rules.



Campers & Dens is a technologically advanced solution with integrated power, lighting, a patented fire-safe roof, ventilation and acoustical privacy built in.



Campers & Dens invites avenues over corridors. Creating inspiring circulation paths rather than mundane straight routes.

# What employees want most

Wellbeing and privacy are closely connected needs in today's workplace.

**#1**

Privacy

**#2**

Spaces that support wellbeing

**#3**

Hybrid collaboration spaces

**#4**

Easy access to power

**#5**

Individual enclaves with technology

The Power of Privacy

Privacy continues to be the leading priority for employees.



60%

Of workers say privacy has become somewhat or much more important than a year ago.

“People need a range of privacy solutions everyone can access to give people more control over the stimulation around them based on the cognitive demands of what they’re doing.”

Andrada Iosif  
*Steelcase WorkSpace  
Futures Researcher*

---

# Typologies & Applications

---

# Collaborative

Hybrid Conference Meeting Room  
Informal Collaboration Area



Collaborative

## Hybrid Conference Meeting Room

- Campers & Dens' monitor bracket option makes it possible to support integrated meeting room technology within the Camper.
- Whether the Camper holds a conference table with chairs or a comfy lounge inside, it offers an inviting space to gather for productive meetings.



## Informal Collaboration Area

- By introducing an awning, a layer of privacy is created beyond the Camper itself, offering a comforting feeling and a hint of visual privacy.
- Utilize the whiteboard laminate material option in these areas to enhance brainstorming and idea sharing, as well as encourage an interactive discussion.
- Consider adding Campers & Dens near the entrance of a building to allow visitors/clients a meeting space in a more public area.



# Social

Lounge Area

## Lounge Area

- Campers & Dens' accessories provide a variety of ways to create semi-private spaces that encourage socialization.
- Consider adding a Cabin onto the back of the Camper to create a cozy nook that provides a place to escape.
  - The interior fabric panels in the Cabin absorb reverberations, making the space more acoustically private and comfortable.
  - The Cabins have a solid roof and slatted roof option as well as a light option, to help brighten the space.
- Consider adding an Awning to create a social space that offers both visual and psychological privacy. This accessory creates an environment for people to socialize casually, while also maintaining a sense of security.



# Personal

Workstations  
Private Office

## Workstations

- Consider using a Cabin on the larger size Camper (CD05) to create touchdown areas with flexible workstations.
  - Cabins are an added layer that provide sanctuary in the middle of an open plan.
  - The semi-private touchdown space is nice for employees who don't have an assigned desk or are looking for a change of scenery throughout the day.
- Providing touchdown spaces empowers and enables people to choose environments that best suit their needs and preferences.
- Adding a monitor is essential to ensure people can share/display information as needed.
- For additional user privacy, place a privacy screen between the two workstations.



## Private Office

- The Camper's integrated lighting, ventilation, and roof modes ensure the user has choices available to support them throughout the entire day.
- Place the entrance of the Camper facing away from the workstations or add screens for additional privacy.
- Using the Hackings can also create an added layer of privacy while elevating the Camper's appearance.
- This application is not limited to owned Private Offices. Consider utilizing Campers & Dens for shared/touchdown offices, as well as reservable spaces!



# Learning

Faculty Office

Student Commons



## Student Commons

- The Camper solves a variety of students' needs in open common areas. Enclosed privacy is ideal for individual study sessions, collaborative project teamwork, and interactive meetings without distractions.
- Positioning a Cabin near a wall or window provides another layer of privacy in the open with the benefits of natural daylighting.
- Utilize the outsides of the Camper with different functions to create collaborative "dens".
- Adding a monitor to any of the side walls helps enable more effective sharing, collaboration, co-development of work.



## Faculty Space

- Campers & Dens' versatility enables faculty to have both a private office and a shielded meeting room within an open plan area.
- This application can serve as an owned office or a shared faculty space anywhere on campus.
- The Camper is perfect for balancing quiet focus and private meetings, and privacy glass films help achieve the desired level of visibility.
- During office hours, students feel comfortable with the blend of visibility and confidentiality.
- The exterior sides of the Camper create a semi-private area where faculty can meet with colleagues or interact with a group of students.
- The extensive range of materiality offered on Campers & Dens helps faculty and facilities to create the brand of the school and the preferences of staff.



# Rejuvenation

Respite Room

## Respite Room

- Respite spaces support mental wellbeing by providing an area for people to take a short break, unwind, and reduce stress.
- Consider adding the Kink to create a more inviting feel.
- The visual and acoustical privacy offered by the Camper is ideal for a rejuvenation space, where enclosed privacy is critical.
- Placing the entrance facing towards a window or wall creates additional privacy.
  - A window to nature and the outdoors helps bring biophilic elements inside the workplace.
- Adding a frosted film to the glass is another great option to enhance the user's experience. The added layer of privacy can help make the space feel more secure.



---

# Blended Applications

---

Campers & Dens' versatility allows for the creation of various typologies within one cohesive space. From Hybrid Collaboration Meeting Rooms to Respite Areas, its thoughtful design effortlessly accommodates for different needs in a single environment.

# Blended Application 1



Social Space

Hybrid Conference Meeting Room

Informal Collaboration

# Blended Application 2



Informal Collaboration

Hybrid Conference Meeting Area

Lounge Area

Informal Collaboration

# Blended Application 3



Hybrid Meeting  
Conference Room

Informal Collaboration  
Area

Lounge  
Area

Private Office



---

# Materiality Inspiration

---



---

# Craft your Campers (& Dens)

Campers & Dens offers an extensive range of materiality options including unique awning materials, plywood hackings, laminates, paints, and textiles. Have fun and embrace your creativity.



## Sleek + Rustic

### **Foreground Camper - Interior Wall 2&3**

DesignTex Sidetrack 3026-503 Dark Teal

### **Foreground Camper - Exterior Wall 1**

Planked Walnut Laminate 2HWP

### **Kink - Interior & Exterior**

Satin Black Laminate 24H2

### **Background Camper – Exterior Wall 2**

Billiard Multi-Use Sea Salt 5H24

### **Background Camper – Exterior Wall 3**

Planked Walnut Laminate 2HWP

### **Foreground & Background Cabin Exterior**

Satin Black Laminate 24H2

### **Cabin Interior**

Billiard Multi-Use Sea Salt 5H24



## Colorful + Airy

### **Foreground Camper - Facia**

Light Match Accent Paint 4CL5

### **Foreground Camper - Interior Wall 1**

Softnext Foggy Night 5H28

### **Foreground Camper – Door Handle**

Black Oak VP03

### **Background Camper – Exterior Wall 2 & Cabin Interior**

Dovetail Ice Blue 5H48

### **Background Camper – Exterior Wall 3 & Cabin Exterior**

Satin Stone Laminate – 24H3

### **Awning – Top Finish & Side Finish**

C.S. Shelter Sheer Fabric Storm Cloud P453

### **Awning – Foot Finish**

Natural Oak V3AK



## Cozy + Neutral

### Foreground Camper – Interior Walls

Intersection Lace P213

### Foreground Camper - Interior Wall 2 Contrasting Panel

Markerboard Laminate 2977

### Foreground Camper – Door Handle

Natural Oak V3AK

### Kink – Interior & Exterior

Poplar Plywood 3863

### Foreground Awning – Top & Side Finish

Top Finish: C.S. Shelter Sheer Fabric Seagull P452

Side Finish: PET Flatiron PC17

### Background Camper – Interior Wall 1 & 2

Stencil Concrete P463

### Background Camper – Hacking

Straight; Around the Corner

### Background Awning – Top Finish & Side Finish

C.S. Shelter Sheer Fabric Seagull P452



## Contemporary + Rich

1. Fascia: Smokey Plum Accent Paint 4CL8
2. Camper – Exterior Wall 3: Poplar Plywood 3863
3. Camper – Interior Wall 1: Designtex Sidetrack 3026-802 Birch
4. Awning – Top & Side Finish: Nylon Cord Pewter 9025
5. Hacking: Wavy; Around the Corner
6. Camper – Interior Wall 1 & 2: Designtex Woolish 3973-301 Quartz



## Serenity in Spring

*Inspired by the sun's warm embrace in the spring, this palette reflects a sense of peace found in nature's gentle hues. The C.S. Shelter Sheer fabric highlighted on the awning offers a touch of visual privacy while maintaining a soft appearance holistically.*

*P454 C.S. Shelter Chardonnay*

*3863 Poplar Plywood*

*6500 Clear Glass*

*P468 Stencil Honeydew*

*P466 Stencil Silk*

*5H18 Billiard Teak*

*5H26 Billiard Olivine*

*2LAN Ash Noce*

*4B22 Matte Brass*

*4CL8 Smokey Plum*

*4CL5 Light Matcha*

*4700 Warm White*



## Chic Summer

*Balancing light and rich tones, this palette captures a collection of colors reminiscent of a summer tea party. The poplar plywood awning and wavy hacking make a bold statement while preserving an inviting environment.*

*P452 C.S. Shelter Seagull*

*9025 Cord Pewter*

*5H24 Billiard Multi-Use Sea Salt*

*5H11 Billiard Multi-Use Poppy*

*P461 Stencil Mauvelous*

*5F05 Buzz 2 Burgundy*

*2UH1 Reclaimed Aggregate*

*2HAA Persian Salt*

*2HBW/2LBW Bisque Wenge*

*4CL7 Sandstone*

*4CL1 Dark Olivine*

*4CL4 Seaglass*

*7241 Arctic White*





## Whispers of Winter

*Evoking the feeling of walking through the woods on a glistening snowy winter day, this palette unveils cool yet captivating tones. It leverages the PET awning slat option for added sophisticated depth to the visual aesthetic.*

*P453 C.S Shelter Storm Cloud*

*PC16 Empire*

*P211 Intersection Summit*

*5H19 Billiard Multi-Use Cumulus*

*5H25 Billiard Multi-Use Storm Cloud*

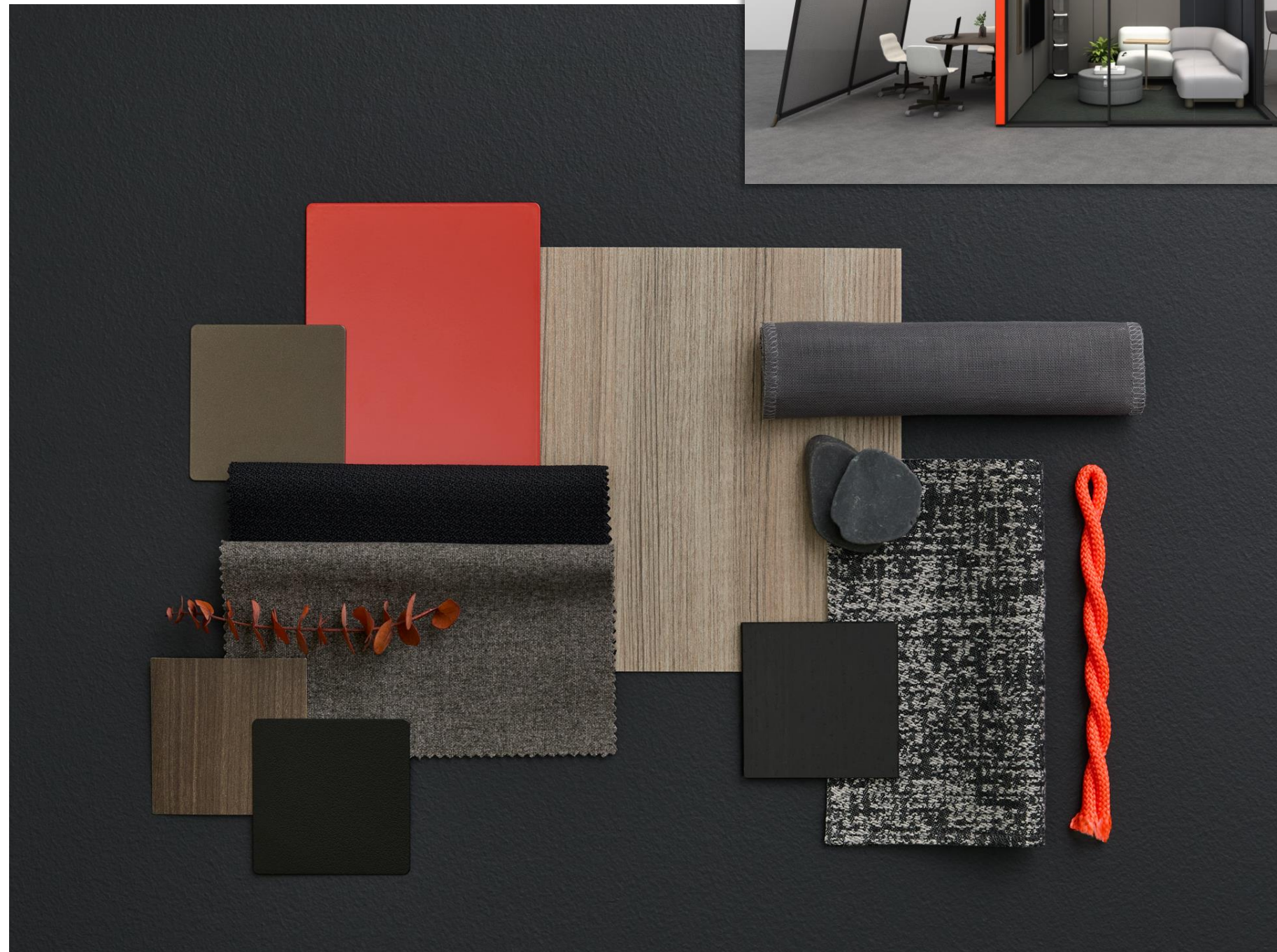
*2HAF Cloudy*

*2HSN/2LSN Storm Noce*

*4CL3 Aura*

*4B26 Smoked Mica*

*7225 Sand*



## Autumn's Embrace

*Infused with the brilliant glow of a campfire on an autumn night, this palette dances between vibrant orange hues and dark, contemporary tones. The awning's bright orange cord tastefully weaves in color, while preserving the darker aesthetic.*

*P451 C.S. Shelter Merle*

*9023 Bright Orange*

*VP03 Black Oak*

*5H21 Billiard Gunmetal*

*5F17 Buzz2 Black*

*P457 Intersection Cracked Pepper*

*2536 Blackwood*

*2TH5 Verdana Teak*

*4B23 Burnished Bronze*

*4AY2 Chili*

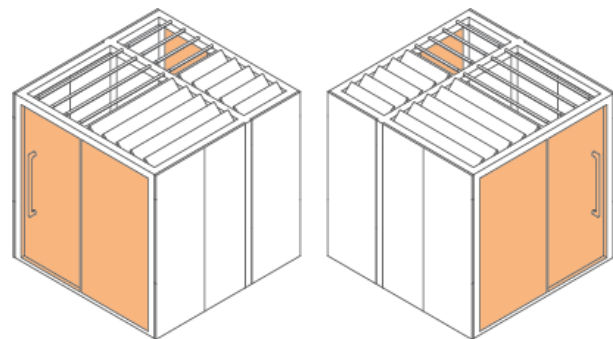
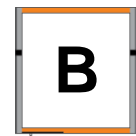
---

# Materiality Specification

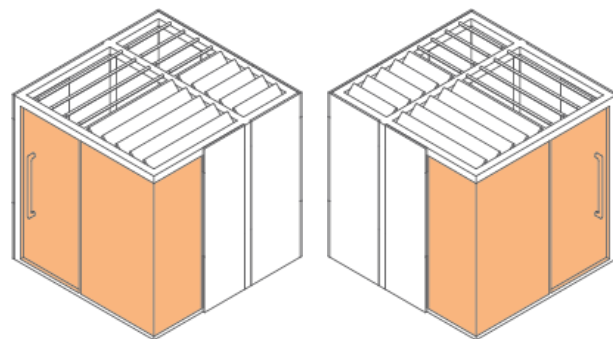
---

# Campers – Interior

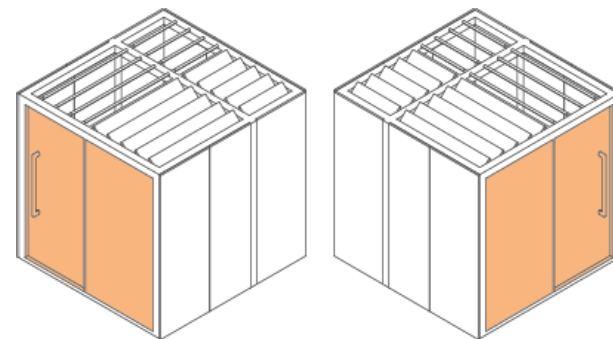
Glass panel configuration options:



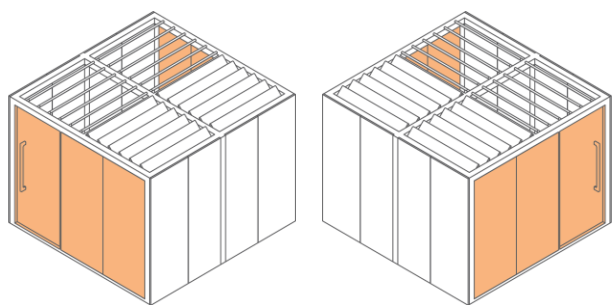
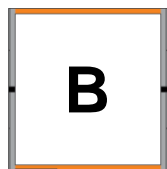
OB1CD02**BLS** / OB1CD02**BRS**  
H92 ½" W88" D92"  
Glass front & rear



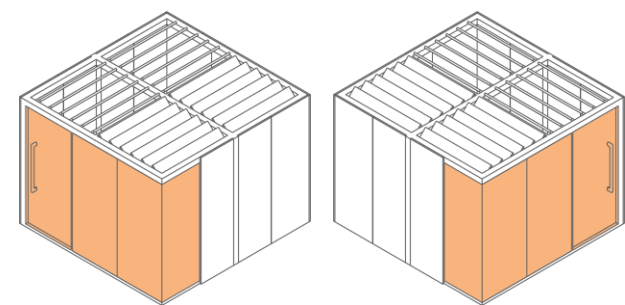
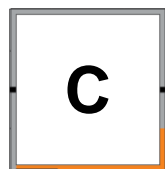
OB1CD02**CLS** / OB1CD02**CRS**  
H92 ½" W88" D92"  
Glass front corner



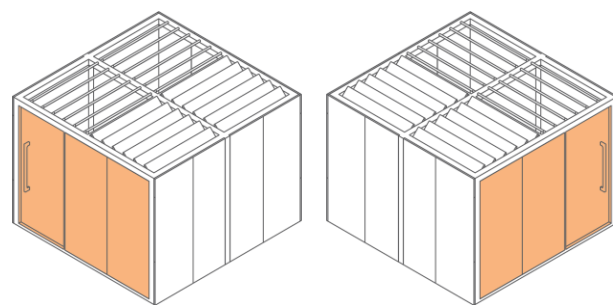
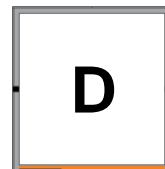
OB1CD02**DLS** / OB1CD02**DRS**  
H92 ½" W88" D92"  
Glass front



OB1CD05**BLS** / OB1CD05**BRS**  
H92 ½" W115" D119"  
Glass front & rear



OB1CD05**CLS** / OB1CD05**CRS**  
H92 ½" W115" D119"  
Glass front corner



OB1CD05**DLS** / OB1CD05**DRS**  
H92 ½" W115" D119"  
Glass front

## Materiality Options

### Interior Wall:

*Fabric – Standard*

- Buzz 2
- Billiard Multi-Use
- Intersection
- Stencil

*Fabric – Passed Graded Ins*

- Arne
- Billiard Panel
- Crossweave
- Everywhere Texture
- Everywhere Texture w/ VC1
- Gamut
- Overtone
- Rocket Unfinished
- Sidetrack
- Softnext\*\*

*Fabric – Other*

- Graded In Price Grade 1-10
- COM

### Interior Contrasting Panel:

*Fabric*

- Same availability as Interior Wall section.

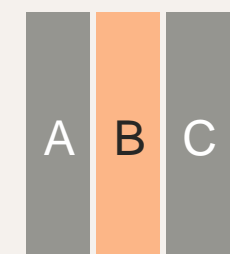
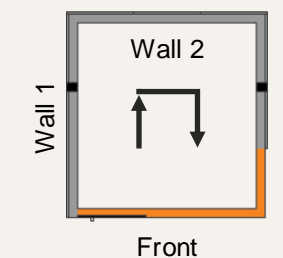
*Laminate*

- Fiber HPL
- Markerboard
- Micro HPL
- Patina HPL
- Solid HPL
- Speckle HPL
- Woodgrain HPL
- Textured Woodgrain HPL
- OLL PG1
- Solid HPL 03
- Textured Industrial HPL2

## Application Rules

Wall and panel positions always start from left.

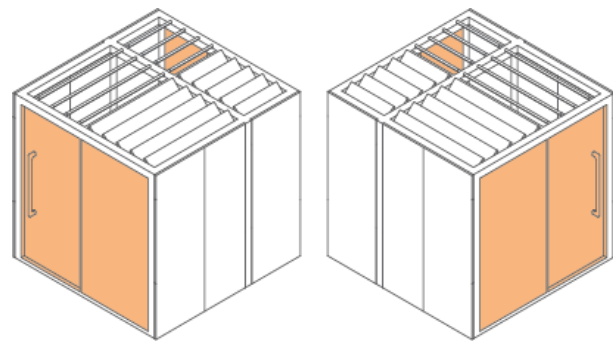
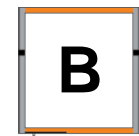
Only a single panel can be specifiable as contrasting.



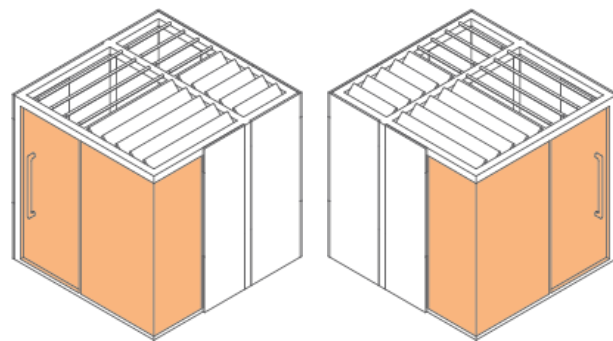
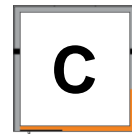
\* This finish is considered a Steelcase Standard; however, it temporarily needs to be ordered as a Graded-In fabric for the Campers & Dens product line.

# Campers – Exterior

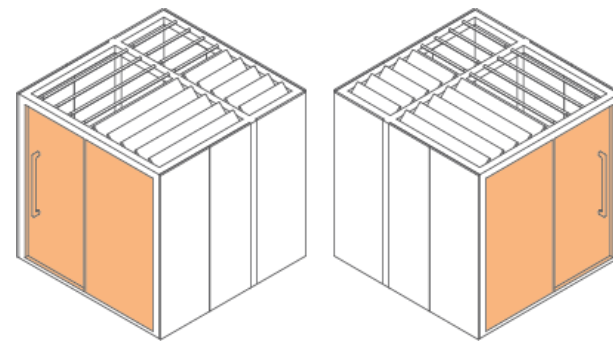
Glass panel configuration options:



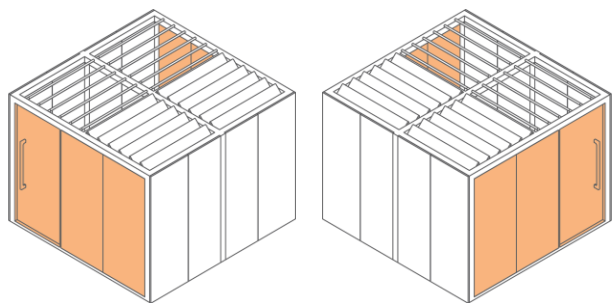
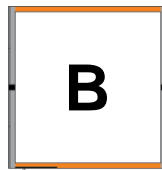
OB1CD02**BLS** / OB1CD02**BRS**  
H92 ½" W88" D92"  
Glass front & rear



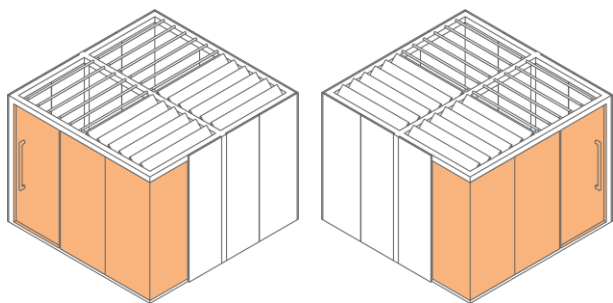
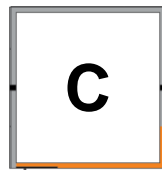
OB1CD02**CLS** / OB1CD02**CRS**  
H92 ½" W88" D92"  
Glass front corner



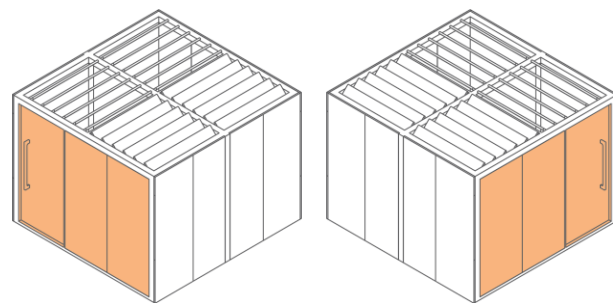
OB1CD02**DLS** / OB1CD02**DRS**  
H92 ½" W88" D92"  
Glass front



OB1CD05**BLS** / OB1CD05**BRS**  
H92 ½" W115" D119"  
Glass front & rear



OB1CD05**CLS** / OB1CD05**CRS**  
H92 ½" W115" D119"  
Glass front corner



OB1CD05**DLS** / OB1CD05**DRS**  
H92 ½" W115" D119"  
Glass front

## Materiality Options

### Exterior Wall & Exterior Contrasting Panel:

#### Fabric – Standard

- Buzz 2
- Billiard Multi-Use
- Intersection
- Stencil

#### Plywood

#### Laminate

- Fiber HPL
- Markerboard
- Micro HPL
- Patina HPL
- Solid HPL
- Speckle HPL
- Woodgrain HPL
- Textured Woodgrain HPL
- OLL PG1
- Solid HPL 03
- Textured Industrial HPL2

#### Fabric – Passed Graded Ins

- Arne
- Billiard Panel
- Crossweave
- Everywhere Texture
- Everywhere Texture w/ VC1
- Gamut
- Overtone
- Rocket Unfinished
- Sidetrack
- Softnext\*\*

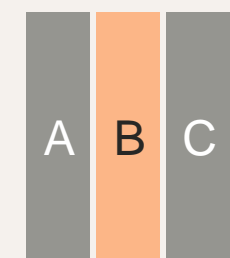
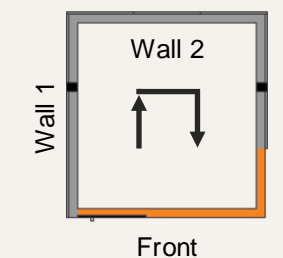
#### Fabric – Other

- Graded In Price Grade 1-10
- COM

## Application Rules

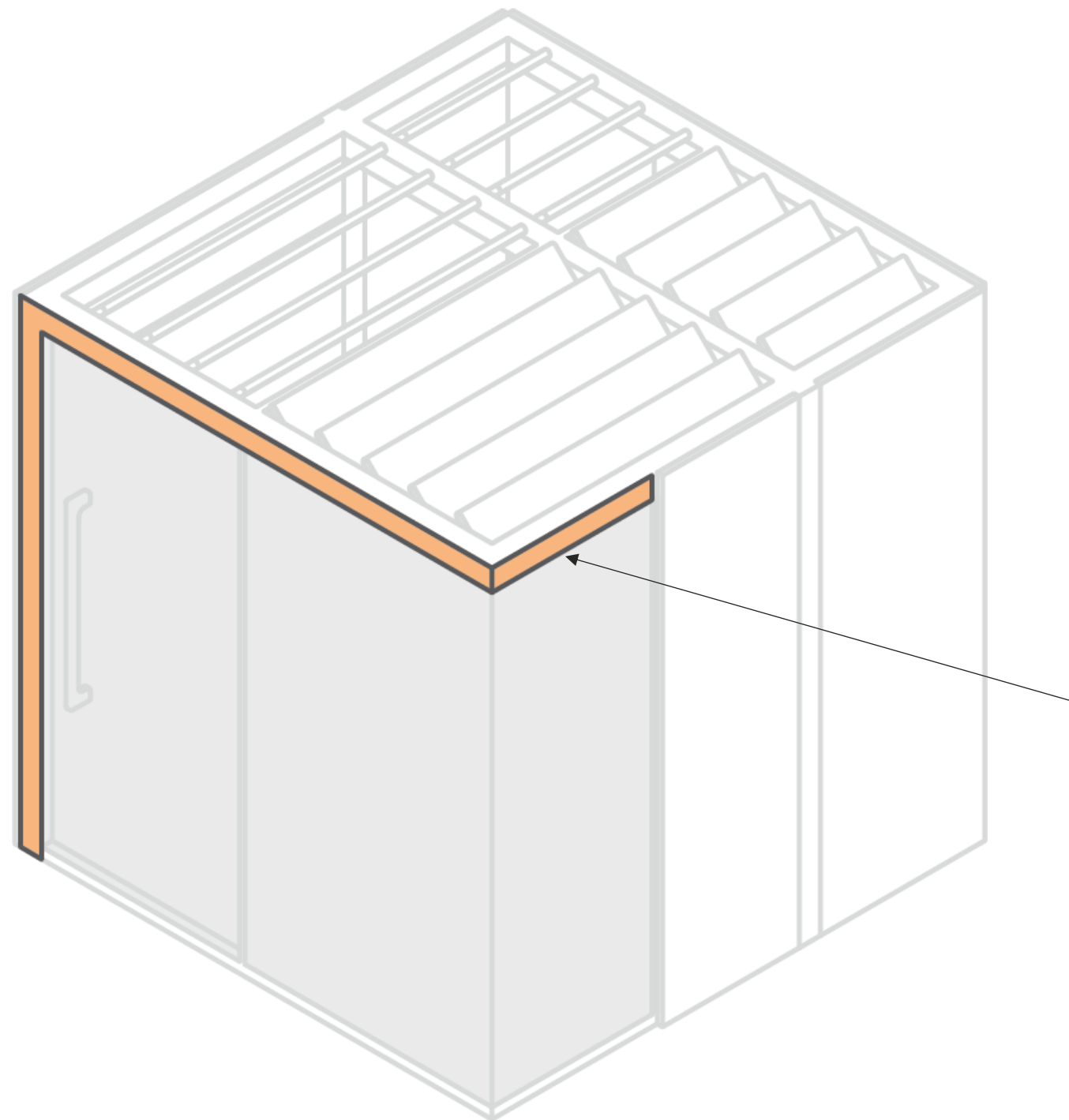
Wall and panel positions always start from left.

Only a single panel can be specifiable as contrasting.



\* This finish is considered a Steelcase Standard; however, it temporarily needs to be ordered as a Graded-In fabric for the Campers & Dens product line.

# Campers - Fascia



## Materiality Options

### Fascia

#### *Fabric – Standard*

- Buzz 2
- Billiard Multi-Use
- Intersection
- Stencil

#### *Fabric – Passed Graded Ins*

- Arne
- Billiard Panel
- Birdseye
- Brushed Flannel
- Crossweave
- Everywhere Texture
- Everywhere Texture w/ VC1
- Gamut
- Overtone
- Rocket Unfinished
- Sidetrack
- Dovetail\*\*
- Softnext\*\*

#### *Fabric – Other*

- Graded In Price Grade 1-10
- COM

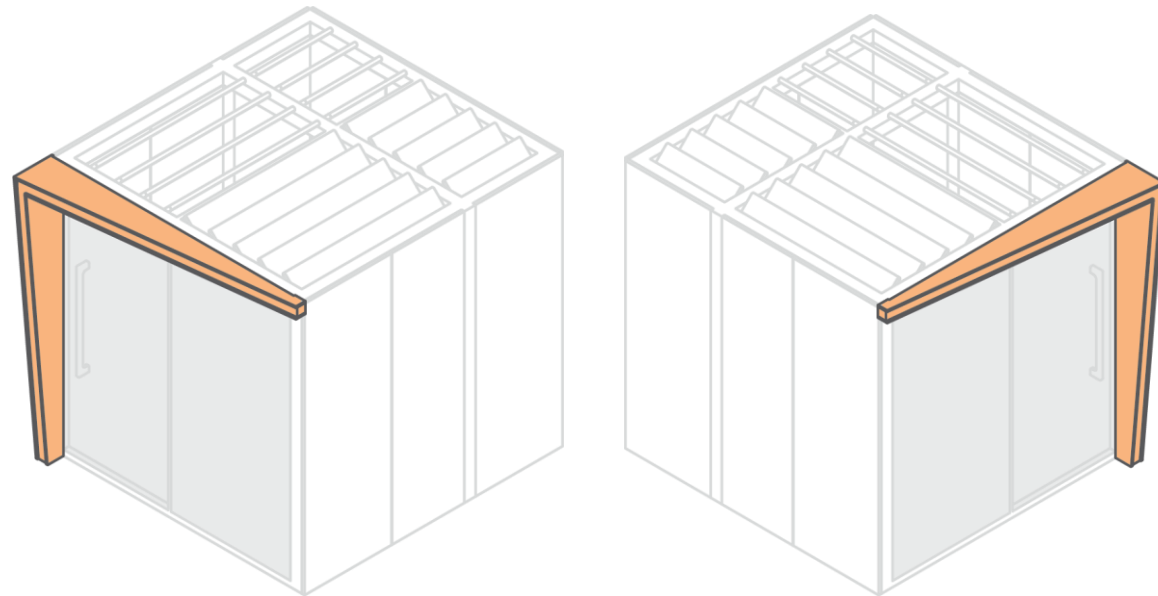
#### *Paint*

- Smooth Paint
- Textured Paint
- Accent Paint
- Lux Coatings
- Smooth Metallic
- Smooth Paint PG2

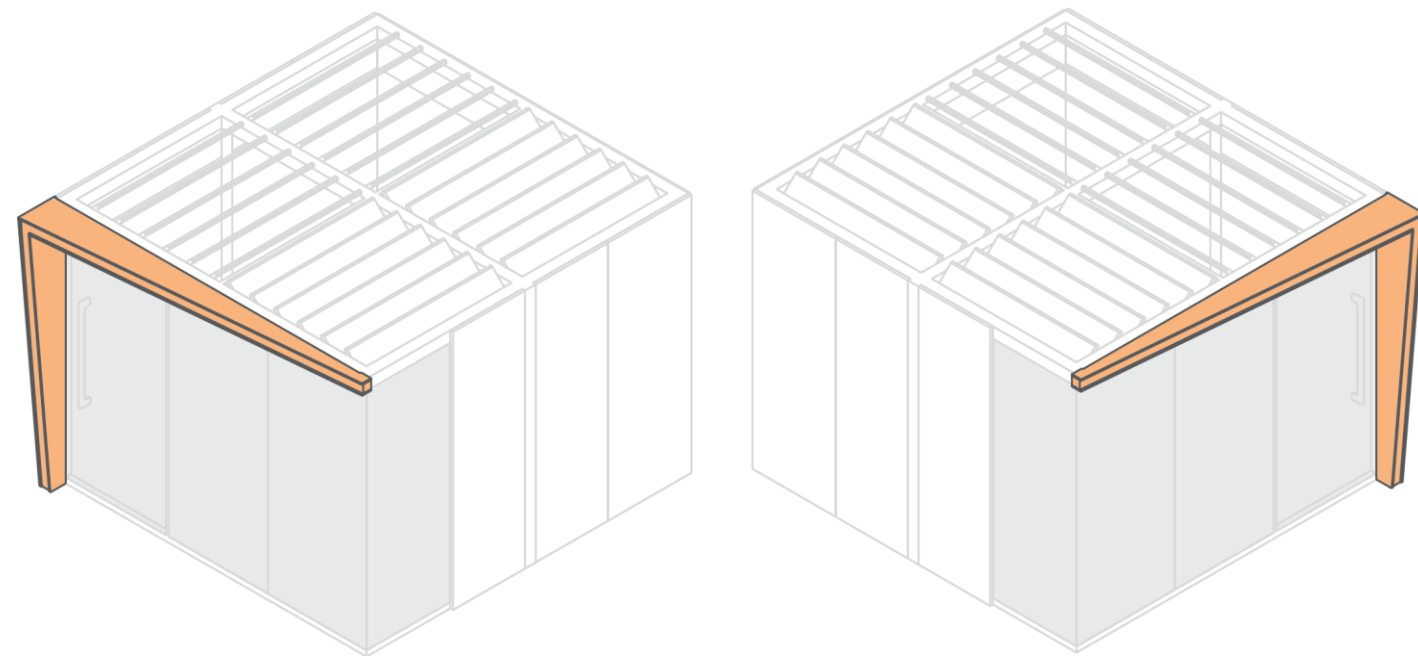
## Application Rules

\* This finish is considered a Steelcase Standard; however, it temporarily needs to be ordered as a Graded-In fabric for the Campers & Dens product line.

# Campers – Kink



OB1CDK01L / OB1CDK01R  
W88" D14"



OB1CDK02L / OB1CDK02R  
W115" D14"

## Materiality Options

### Exterior Wall & Exterior Contrasting Panel:

#### Fabric – Standard

- Buzz 2
- Billiard Multi-Use
- Intersection
- Stencil

#### Plywood

#### Laminate

- Fiber HPL
- Markerboard
- Micro HPL
- Patina HPL
- Solid HPL
- Speckle HPL
- Woodgrain HPL
- Textured Woodgrain HPL
- OLL PG1
- Solid HPL 03
- Textured Industrial HPL2

#### Fabric – Passed Graded Ins

- Arne
- Billiard Panel
- Brushed Flannel
- Crossweave
- Everywhere Texture w/ VC1
- Gamut
- Overtone
- Dovetail\*\*
- Softnext\*\*

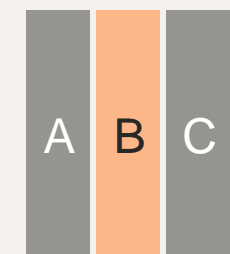
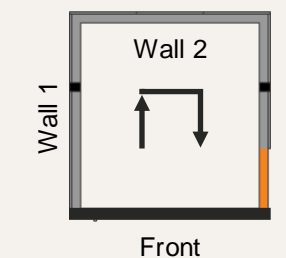
#### Fabric – Other

- Graded In Price Grade 1-10
- COM

## Application Rules

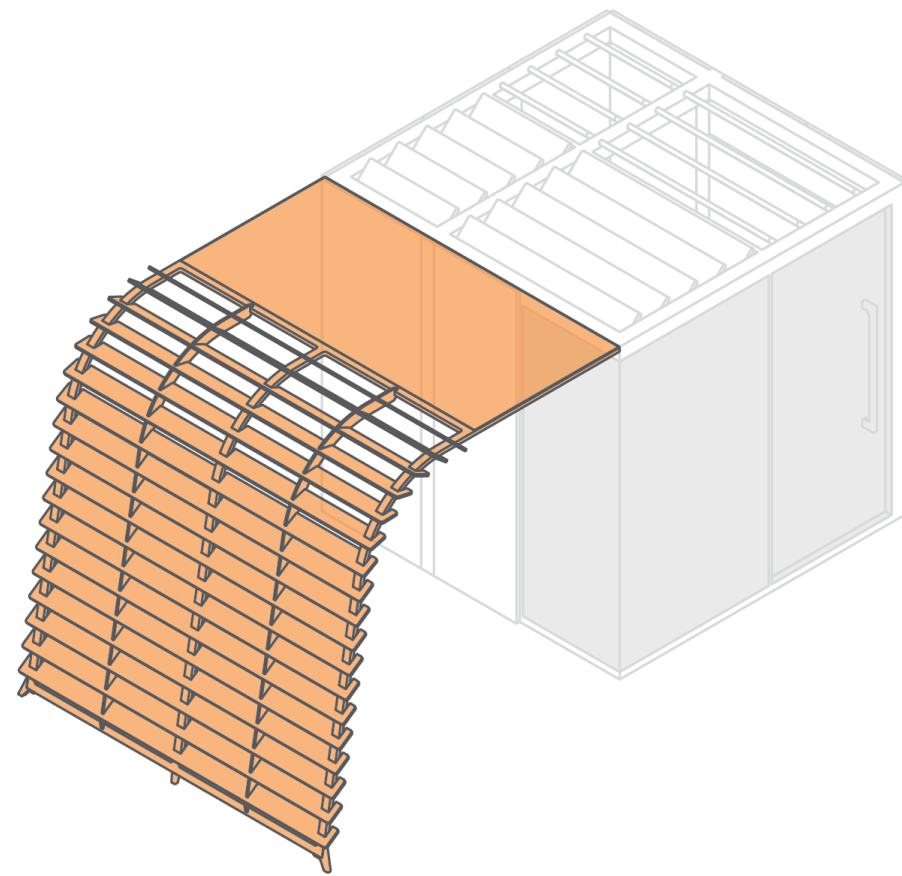
Kink can only be applied to the front wall.

Only a single panel can be specifiable as contrasting.

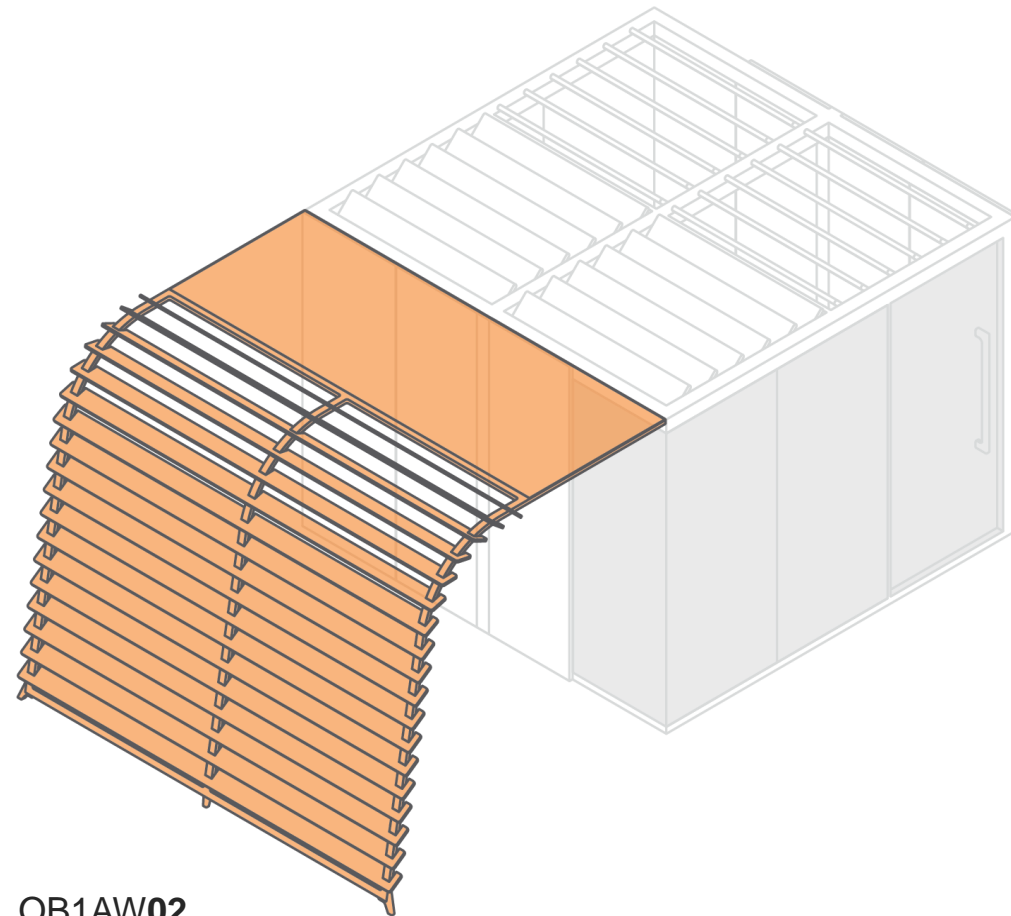


\* This finish is considered a Steelcase Standard; however, it temporarily needs to be ordered as a Graded-In fabric for the Campers & Dens product line.

# Campers – Awnings



OB1AW01  
W88" D14"



OB1AW02  
W115" D14"

## Materiality Options

### Top Finish:

*Fabric*



*Nylon Cord*



### Side Finish:

*Fabric*



*Nylon Cord*



*Plywood*



*PET*

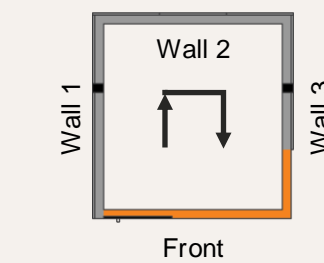


### Foot Finish:

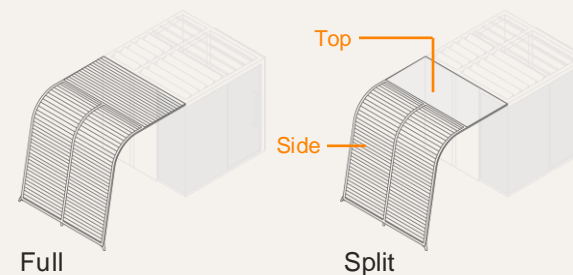
*Rift cut/ Low Sheen Oak*

## Application Rules

Awnings can attach to any camper wall, including the front.



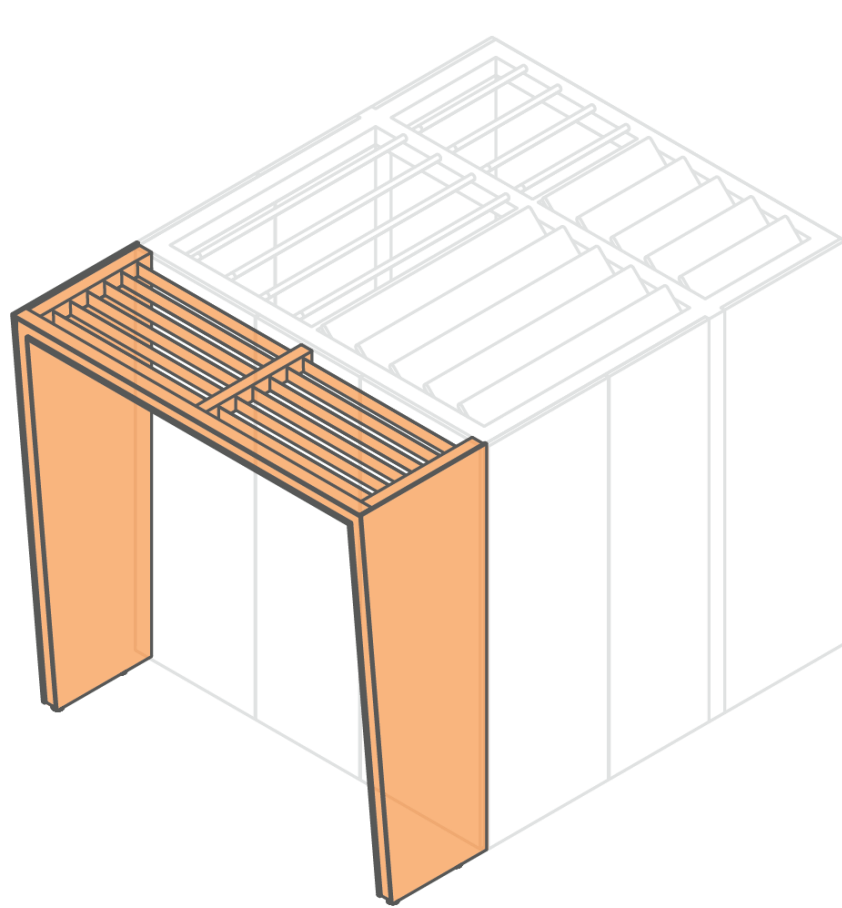
Full or Split Finish Option:



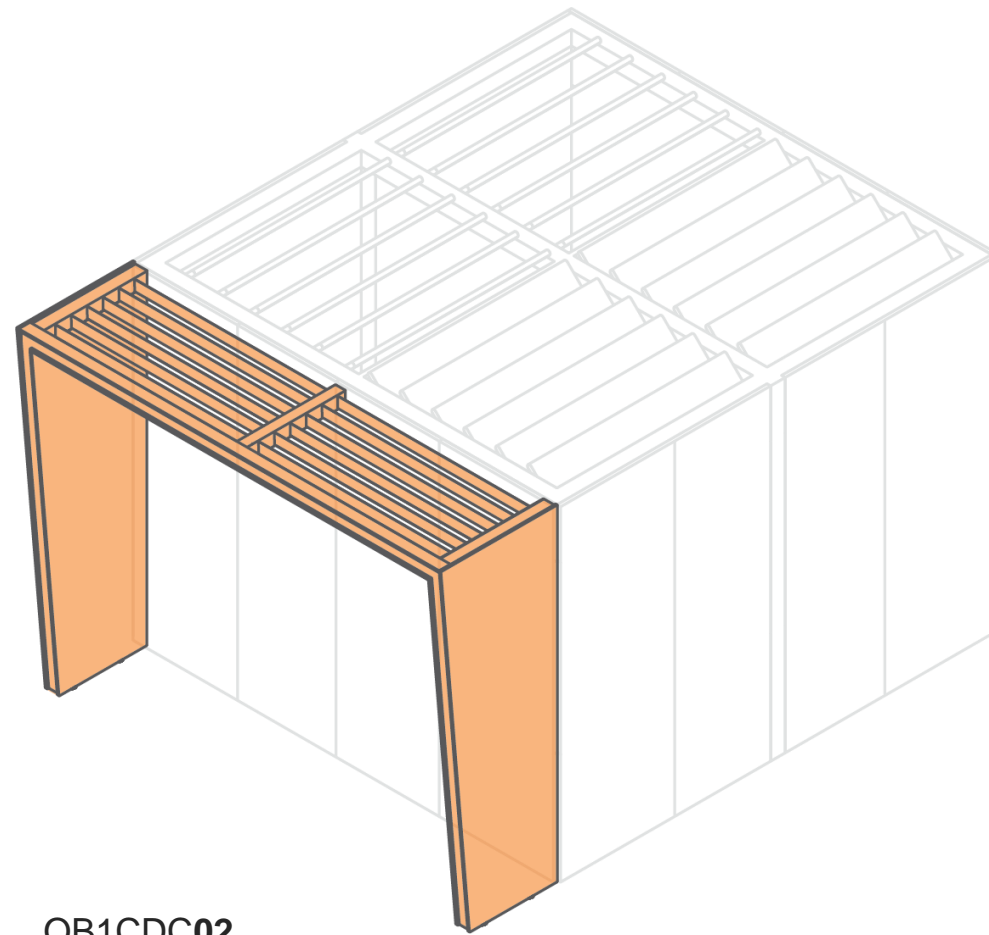
\* This finish is considered a Steelcase Standard; however, it temporarily needs to be ordered as a Graded-In fabric for the Campers & Dens product line.



# Campers – Cabins



**OB1CDC01**  
H92 ½" W88" D28 ⅔"



**OB1CDC02**  
H92 ½" W115" D28 ⅔"

## Materiality Options

### Exterior Wall & Exterior Contrasting Panel:

#### *Fabric – Standard*

- Buzz 2
- Billiard Multi-Use
- Intersection
- Stencil

#### *Plywood*

#### *Laminate*

- Fiber HPL
- Markerboard
- Micro HPL
- Patina HPL
- Solid HPL
- Speckle HPL
- Woodgrain HPL
- Textured Woodgrain HPL
- OLL PG1
- Solid HPL 03
- Textured Industrial HPL2

#### *Fabric – Passed Graded Ins*

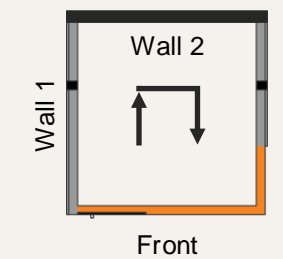
- Arne
- Billiard Panel
- Crossweave
- Everywhere Texture
- Everywhere Texture w/ VC1
- Gamut
- Overtone
- Rocket Unfinished
- Sidetrack
- Softnext\*\*

#### *Fabric – Other*

- Graded In Price Grade 1-10
- COM

## Application Rules

Cabin can only be applied to Wall 2, when wall is not glass. Cabin Roof Option:

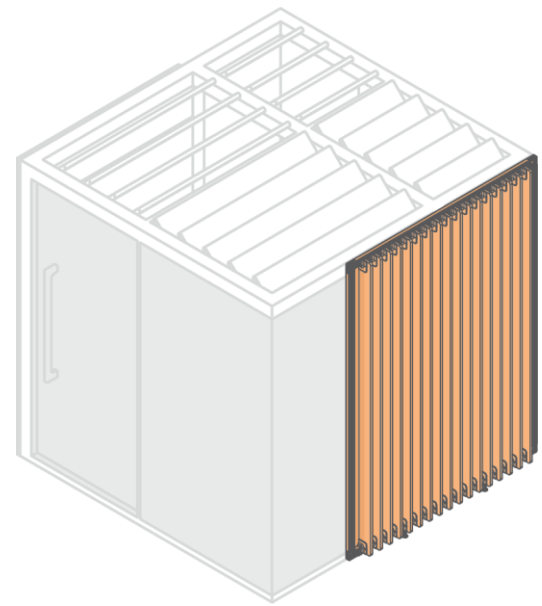


Solid

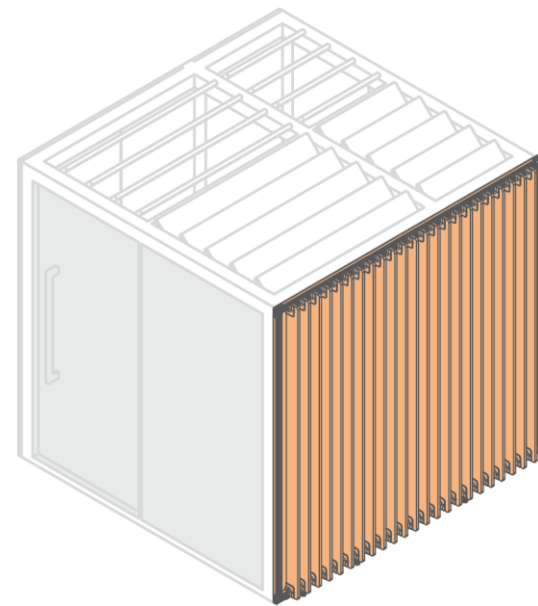
Slatted

\* This finish is considered a Steelcase Standard; however, it temporarily needs to be ordered as a Graded-In fabric for the Campers & Dens product line.

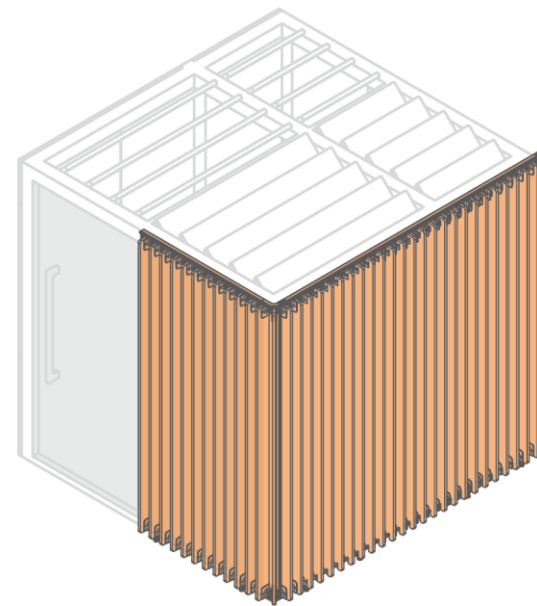
# Campers – Hackings (CD02)



OB1HACK08 (CD02)  
*Up to Glass Corner*



OB1HACK09 (CD02)  
*Full Campers Depth*

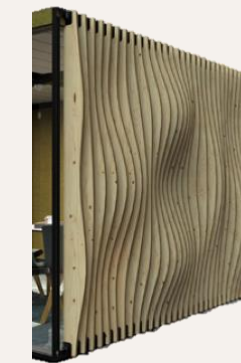


OB1HACK10 (CD02)  
*Around Corner*

## Materiality Options

Hacking Finish:  
*Plywood*

Slat Scheme:  
*Wavy*



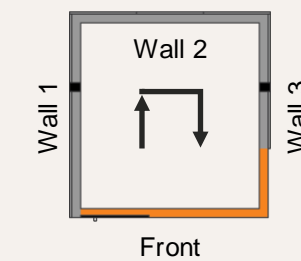
*Straight*



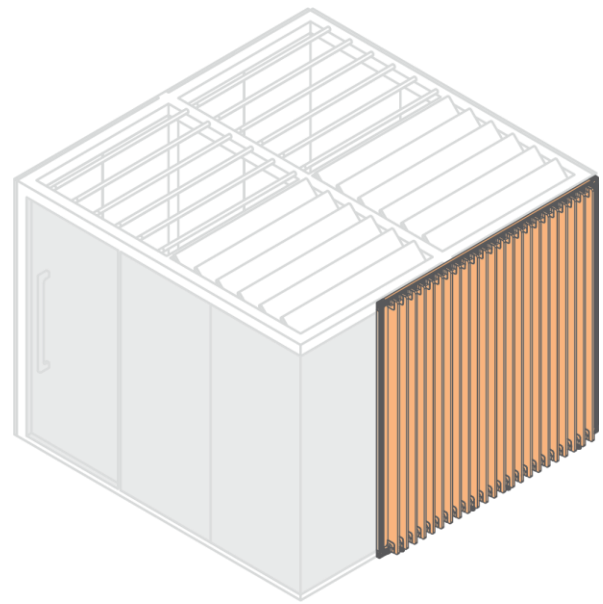
## Application Rules

Hacking cannot cover door or be applied to wall 2.

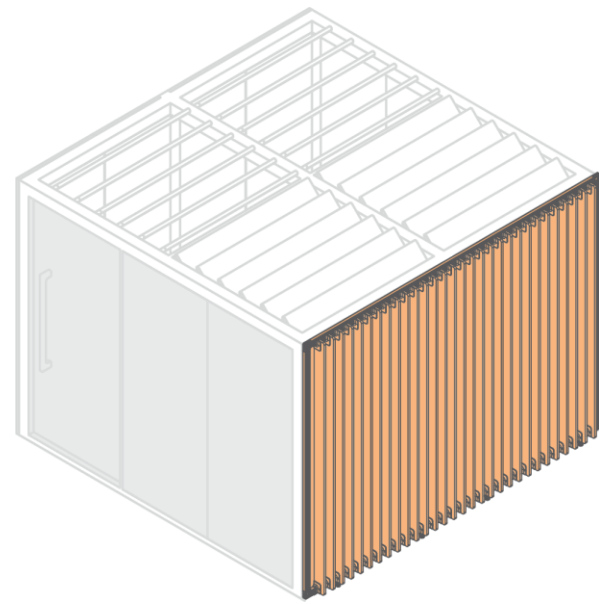
Hacking cannot share wall with Cabin, Awning, or Kink.



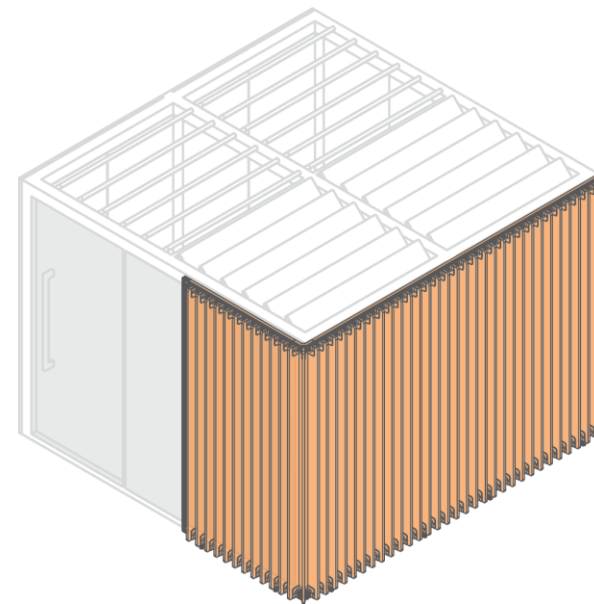
# Campers – Hackings (CD05)



OB1HACK11 (CD05)  
*Up to Glass Corner*



OB1HACK12 (CD05)  
Full Campers Depth

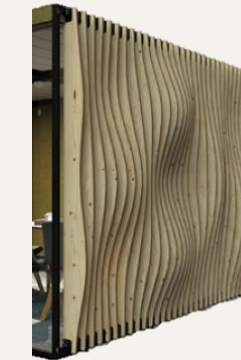


OB1HACK13 (CD05)  
Around Corner

## Materiality Options

Hacking Finish:  
*Plywood*

Slat Scheme:  
*Wavy*



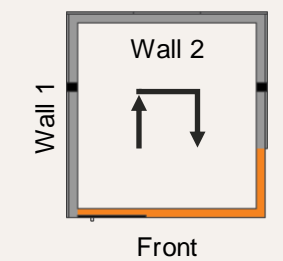
*Straight*



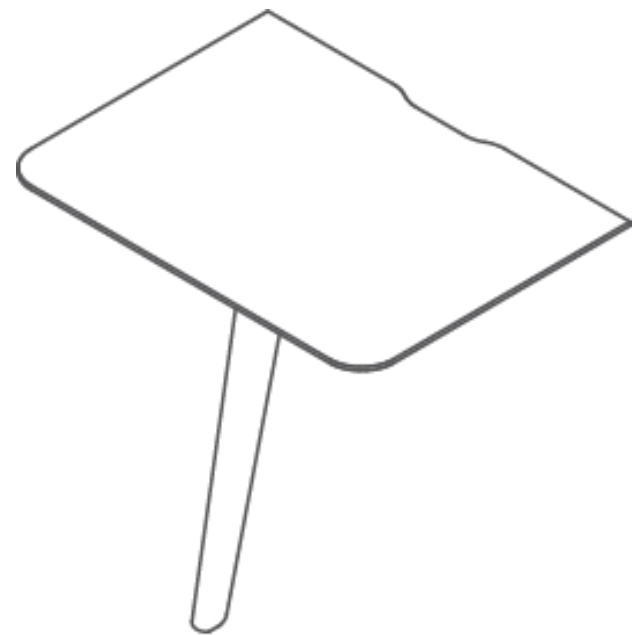
## Application Rules

Hacking cannot cover door or be applied to wall 2.

Hacking cannot share wall with Cabin, Awning, or Kink.



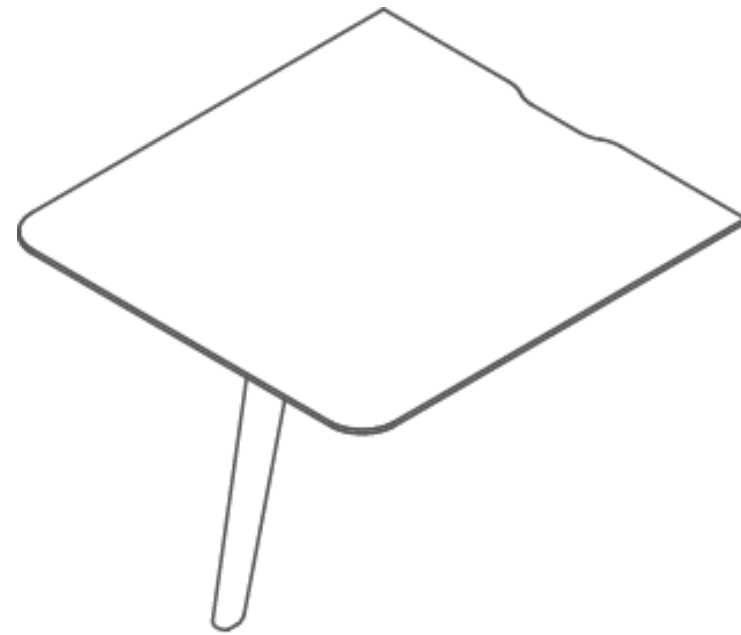
# Campers – Integrated Tables



**OB1CDWT01**

H29 ½" W28 ½" D25"

*Small Wall Mounted Table*



**OB1CDWT02**

H29 ½" W28 ½" D35 ½"

*Medium Wall Mounted Table*

## Materiality Options

### Top Finish:

*Laminate*

- Fiber HPL
- Markerboard
- Micro HPL
- Patina HPL
- Solid HPL
- Speckle HPL
- Woodgrain HPL
- Textured Woodgrain HPL
- OLL PG1
- Solid HPL 03
- Textured Industrial HPL2

### Leg Finish:

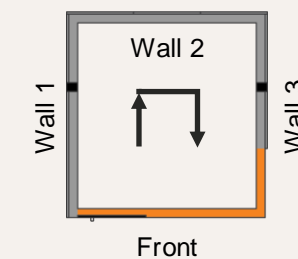
*Rift cut/ Low Sheen Oak*

## Application Rules

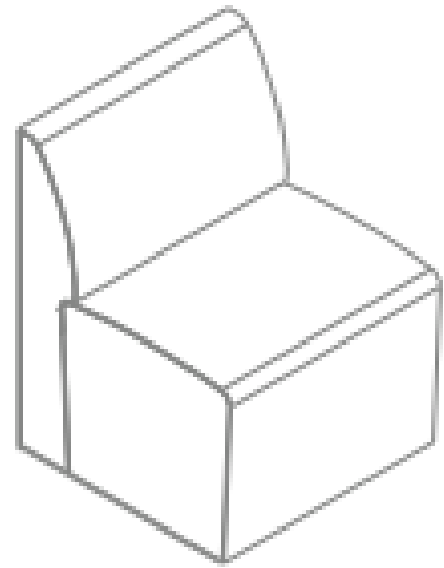
Tables can be applied to any wall except the front. They are only for use with Campers & Dens.

Mounting Options:

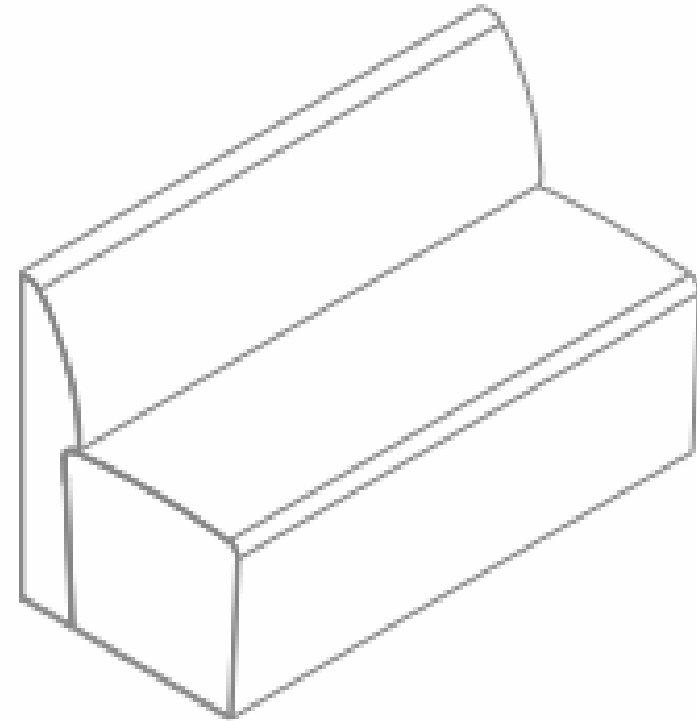
Centered to Panel or Hoop Mounted



# Campers – Upholstered Seating



**OB1CDUS01**  
H32" W24" D24 ½"  
SH18 ¾" SD17 ½"  
*Upholstered Seat, Single*



**OB1CDUS02**  
H32" W50 ½" D24 ½"  
SH18 ¾" SD17 ½"  
*Upholstered Seat, Double*

SH: Seat Height  
SD: Seat Depth

## Materiality Options

### Seating Upholstery Finish:

#### *Fabric – Standard*

- Buzz 2
- Billiard Multi-Use
- Dovetail
- Softnext
- Stencil

#### *Fabric – Passed Graded Ins*

- 100+ Passed; Please check the [COM database](#) for passed fabrics.

#### *Fabric – Other*

- Graded In Price Grade 1-10
- COM

## Application Rules

These are freestanding units and may be used with or without Campers & Dens.