

# Glass Installation Guide

Americas 2024

Guidelines for installing your  
new Glass board

---

# English


---

- 3** Safety Requirements
- 4** Handling + Storing of Panels
- 5** Required Materials + Equipment
- 6** Installation

# Safety Requirements

Glass - Wall Mounted Frameless Dry Erase Board,  
Non-Seismic Applications

The building's Engineer of Record must be consulted to determine if there are any seismic requirements.

	<p><b>⚠ CAUTION</b></p> <p><b>CRUSH HAZARD.</b> Failure to properly secure board could result in personal injury.</p>
	<p><b>⚠ ATTENTION</b></p> <p><b>RISQUE D'ÉCRASEMENT.</b> Ne pas attacher la planche de manière sûre pourrait entraîner des blessures personnelles.</p>
<p><b>SAFETY INSTRUCTIONS</b></p>	
<p>Read all assembly directions before beginning installation.</p> <p>Building construction varies greatly. The Building's Engineer of Record is responsible for the design of building walls which the boards are attached to and must verify the adequacy of the mounting hardware, even if provided by Polyvision.</p> <p>The building owner or designated agent is responsible for verifying that the installation is in compliance with all local codes and regulations.</p>	
<p><b>INSTRUCTIONS DE SÉCURITÉ</b></p>	
<p>Lisez l'ensemble des instructions d'assemblage avant de démarrer l'installation.</p> <p>La construction des bâtiments varie grandement. L'ingénieur d'enregistrement du bâtiment est responsable de la conception des murs sur lesquels sont attachées les planches et doit vérifier que le matériel de montage est adéquat, même si ce dernier est fourni par PolyVision.</p> <p>Le propriétaire du bâtiment ou l'agent désigné a la responsabilité de vérifier que l'installation est conforme à l'ensemble des codes et réglementations locaux.</p> <p style="text-align: right; font-size: small;">1078781001 Rev A</p>	

## Verify Wall Construction

**CAUTION!** Adequate wall construction is required to support the weight of the board. Minimum wall construction must be capable of supporting weight amounts listed in Table 1 on page 6.

## Minimum Required Wall Construction

Drywall with metal studs:

- Must be at least 25 ga. (0.018" or .5 mm thick) 33 ksi steel studs 38 mm x 89 mm (1.5" x 3.5")
- Studs on maximum 610 mm (24") centers
- Must be at least 16 mm (5/8") thick Type X gypsum drywall for the US or 12 mm (1/2") for EU
- 32 mm (#6 x 1-1/4") drywall screws on 305 mm (12") centers

Drywall with wooden studs:

- Stud grade SPF, DF-L or Hem-Fir 38 mm x 89 mm (1.5" x 3.5")
- Studs on 610 mm (24") centers
- Must be at least 16 mm (5/8") thick Type X gypsum drywall for the US or 12 mm (1/2") for EU
- 32 mm (#6 x 1-1/4") drywall screws on 305 mm (12") centers



# Handling + Storing of Panels

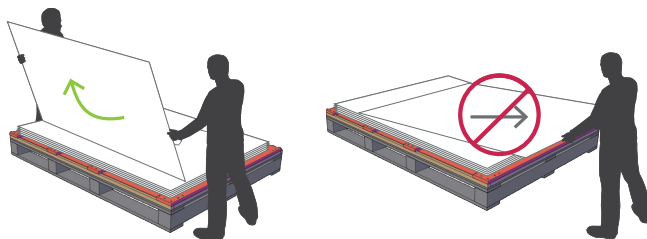
## Handling

- When Glass panels are shipped, they are protected by craft paper or a self-adhesive transparent polyethylene film. Keep panels in the original package until installation.
- Handle with care to prevent damage.
- Never slide panels off the stack during handling. Panels should always be lifted and moved in a vertical position.
- Never place an Glass panel in a vertical position on the floor. This is to prevent damage to the edges.
- Prevent dirt from settling on and between panels to avoid surface damage, scratches or defects.
- Follow all safety instructions regarding personal protection when processing the panels.
- Protect panel surface against sawdust and sparks (metal particles).
- Glass will chip when cut or drilled with power tools. Hand-cutting can cause chipping up to approx. 2 mm from the edge. When chipping is in excess of 2 mm, please check the state of cutting tools and check that the panel is adequately supported and clamped to prevent it from vibrating.
- All cut or drilled sections should be protected against humidity with PVC tape and/or by covering/sealing profiles or sealing washers.
- For detailed processing instructions, please refer to the Glass processing instructions.

## Storing

- Keep panels dry and free of debris.
- Store panels inside temps 50-90 °F (10-32 °C).
- Any panels stored outside should be protected from inclement weather conditions.
- Place panels on hard, flat surfaces that are not subject to standing water.
- Glass panels should be stacked no more than three high.
- Panels should never be stored vertically or in such a way that the corners are vulnerable to damage.

**If you have a problem, question, or a request, call your local fabricator, your regional sales manager or Polyvision Customer Service. Polyvision's global customer service team can be contacted on [polyvision.com](http://polyvision.com).**



# Required Materials + Equipment

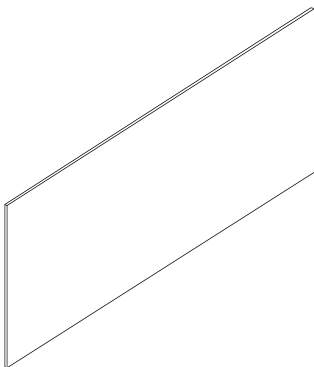
## Required Equipment

- Drill
- #2 Bit
- Glass suction cup lifters (2)
- Pliers
- Pencil
- Level
- 2 or 3-step ladder
- Tape measure
- 1-1/4" drywall screws
- Wall anchors

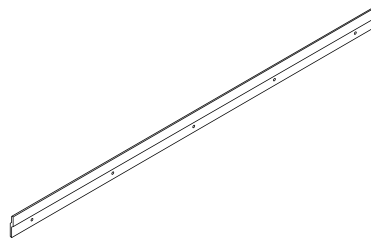
## Materials Provided

NOTE: Items are not drawn to size. Quantity of brackets will vary per product due to the various widths. Drywall screws and anchors are not provided.

Refer to Table 1 for screw and anchor quantities required by size.



Glass panel(s)



Brackets\*

* Table 1			
Product Size	Orientation	Brackets	Anchors / Screws
48" x 48"	-	3	15
48" x 72"	Horizontal	3	21
	Vertical	4	20
48" x 96"	Horizontal	3	33
	Vertical	4	20

### Before starting the installation of Glass

**Verify that the required equipment is available and material provided is accurate.**

**Provide adequate protection for finished floor surfaces.**

**All Glass installations should be carried out by two or more individuals.**



# Installation

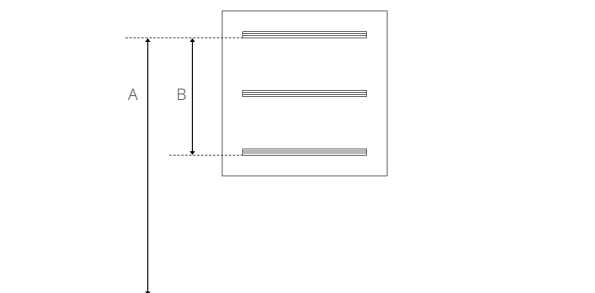
## Step One

- Use appropriate mounting specification based on the size and the orientation of your Glass board

NOTE: You may drill holes in the support bracket to install into the wall stud for strongest support. Anchor into wall studs as often as possible. Mounting heights are recommendations only.

### Horizontal Orientation

Product	# of Studs	Weight (lbs)
48" x 48"	2	56 lbs
48" x 72"	3	96 lbs
48" x 96"	4	128 lbs



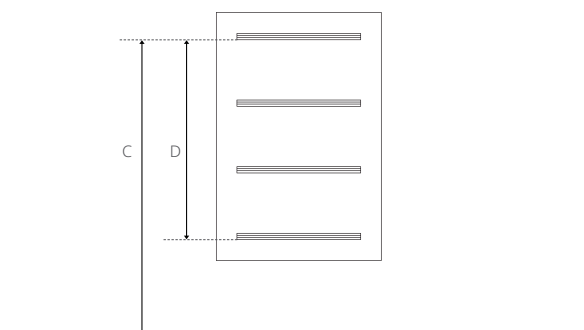
Recommended Mounting Heights

A = 77"

B = 34-1/4"

### Vertical Orientation

Product	# of Studs	Weight (lbs)
48" x 72"	2	96 lbs
48" x 96"	2	128 lbs

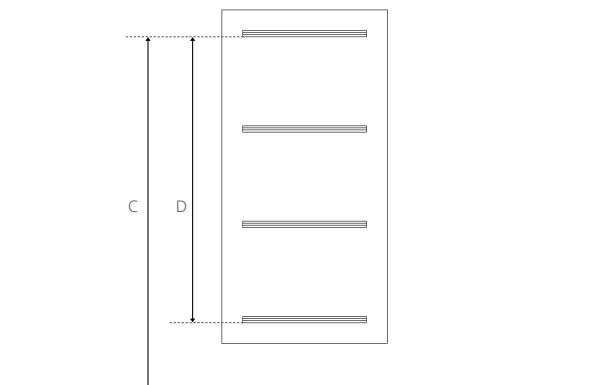


48" x 72"

Recommended Mounting Heights

C = 69-11/16"

D = 19-3/8"



48" x 96"

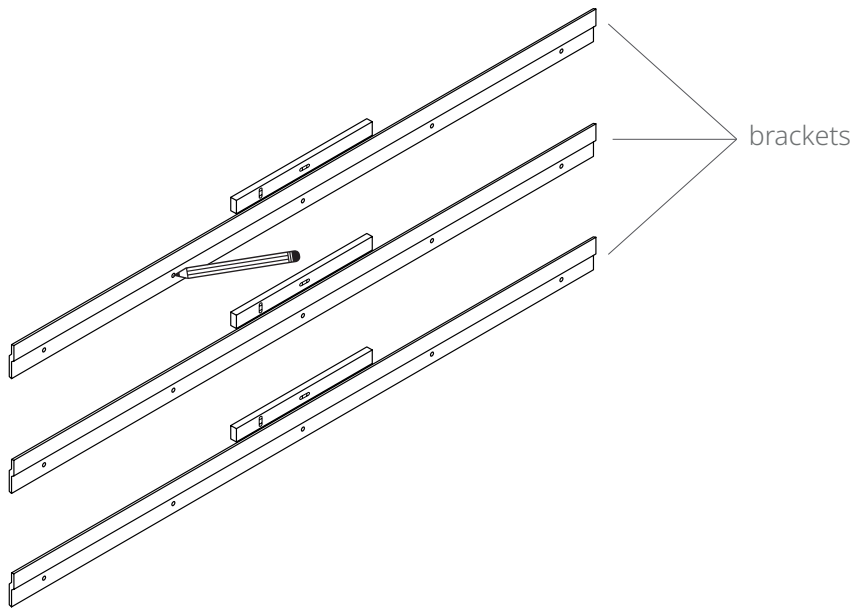
Recommended Mounting Heights

C = 92-29/32"

D = 27-3/8"

## Step Two

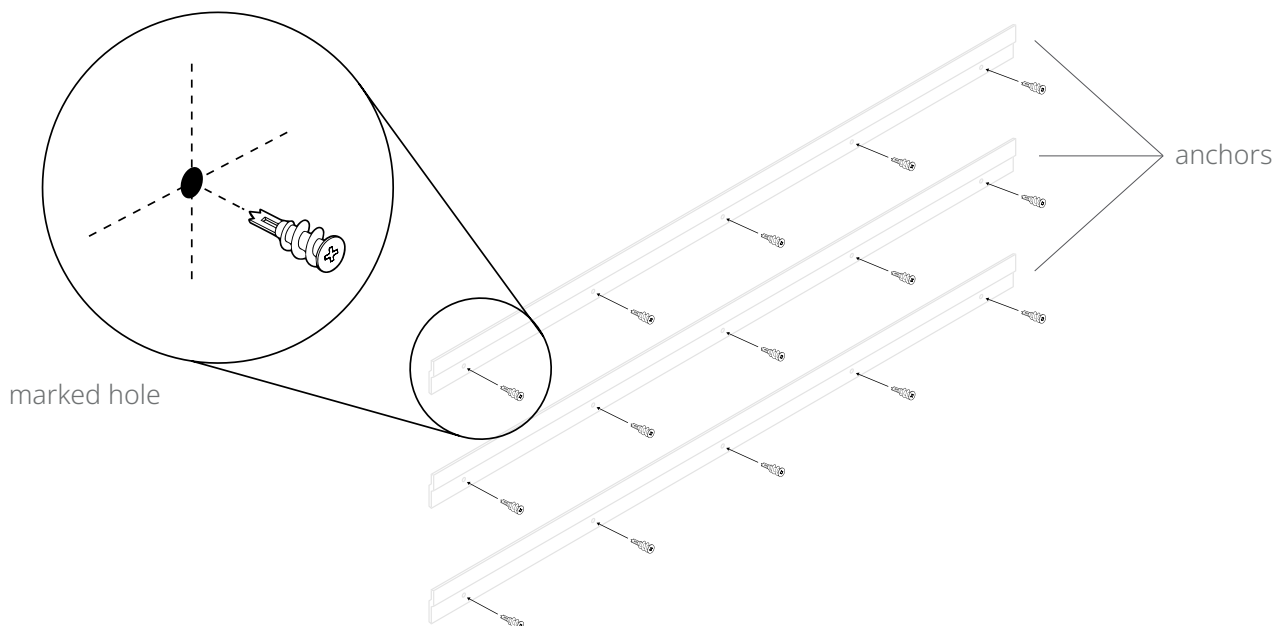
- Level brackets and mark holes onto wall. Refer to recommended mounting heights noted on page 6.



## Step Three

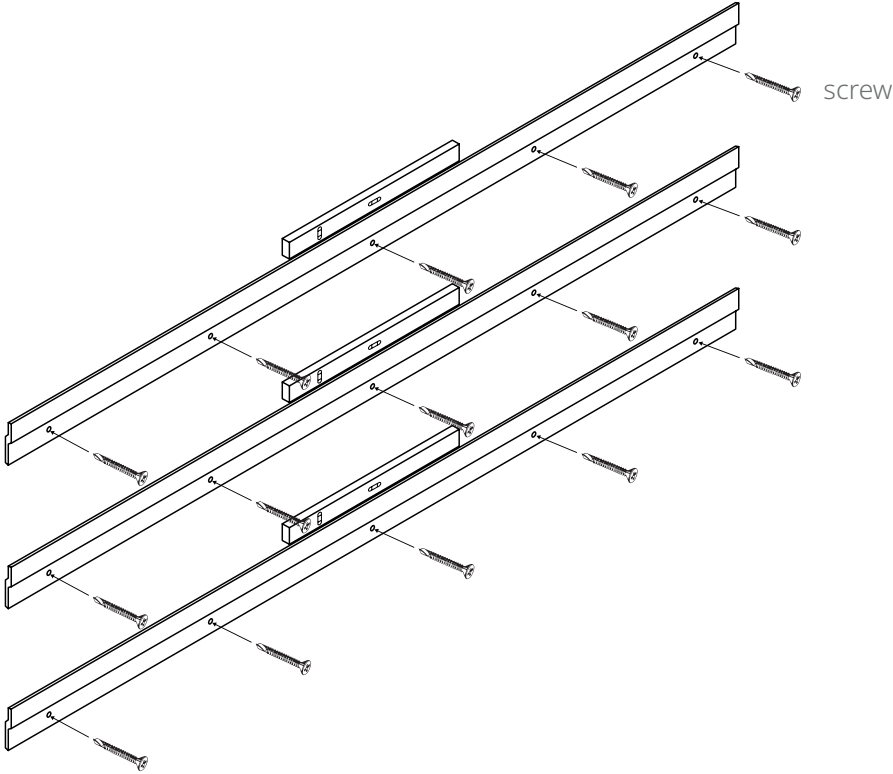
- Remove brackets from wall and install wall anchors in all hole locations that are not over a stud.

Anchor may not be needed for stud.



**Step Four**

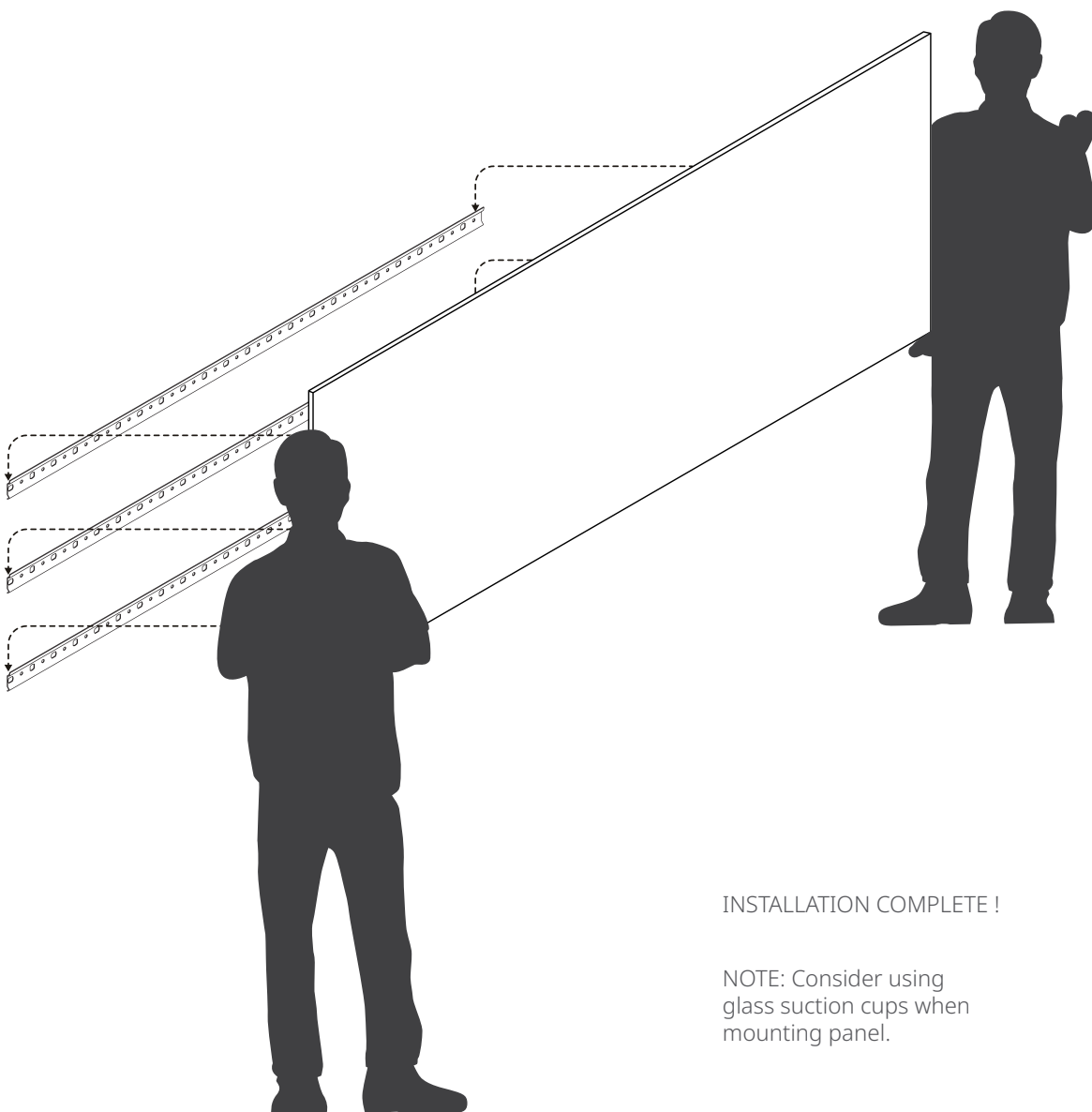
- Re-align brackets with holes and secure using screws.





## Step Five

- Lower brackets on back of the Glass board onto brackets on wall.
- **IMPORTANT:** Always check to ensure both top and bottom panel brackets are resting on the wall brackets.



## Polyvision Americas

4301 N Wood DR  
Okmulgee, OK 74447 USA

T 1 888 325 6351  
E [info@polyvision.com](mailto:info@polyvision.com)

## Polyvision Europe

Zuiderring 56  
3600 Genk, Belgium

T +32 89 32 31 30  
E [EMEAsupport@polyvision.com](mailto:EMEAsupport@polyvision.com)

## Polyvision Asia-Pacific

15th Floor, Kinwick Centre  
32 Hollywood Road, Central District, Hong Kong

T +852 2520 0160  
E [APACsupport@polyvision.com](mailto:APACsupport@polyvision.com)

## **SURFACEMATTERS™**

©2024 Polyvision Corporation. All rights reserved. Trademarks used herein are the property of Polyvision Corporation or of their respective owner. Polyvision Corporation reserves the right to make changes in product design, construction or detail, and to discontinue any product or material without notice.

[polyvision.com](http://polyvision.com)



04-26-2024 US