



FYI Single Monitor Arm with Frame One Bracket
FPASINGLEFO



Desk Clamp/Grommet Bracket (Service Part)



Slatwall/SlatRail Bracket
FPASWR



Through Mount Bracket (Service Part)



FYI Single Flat Panel Monitor Arm with c:scape Bracket
DFPASINGLECS



Wall Mount Bracket
FPAWALL

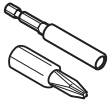


FYI Dual Flat Panel Monitor Arm with c:scape Bracket
DFPADUALCS

FYI® Single & Dual Flat Panel Monitor Arm

Installation Instructions 003876D Rev L

Tools required:



#2 Phillips Screwdriver



Power Drill



11/32" Dia. Drill Bit



1/16", 5/32", 3/16" & 1/4" Allen Wrench



5/16 & 1/2 Wrench



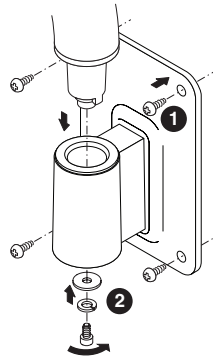
5/32" HEX DRIVE

Wall Mount

Attach assembly to wall with (4) fasteners (not included) appropriate to the construction of the wall.

Use #10 wood screws when attaching to a stud.

Use #10 toggle bolts when attaching directly to drywall.

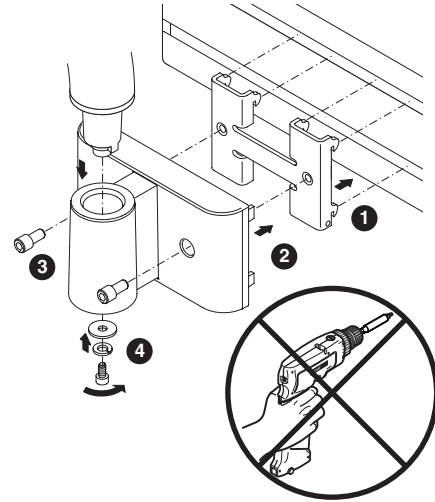


NOTE: Located in Monitor Arm Hardware Pack.



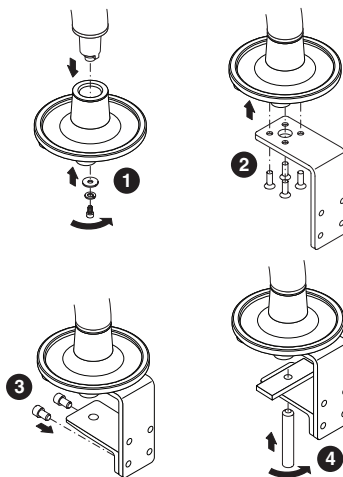
Slatwall/SlatRail

on architectural wall and freestanding stanchions

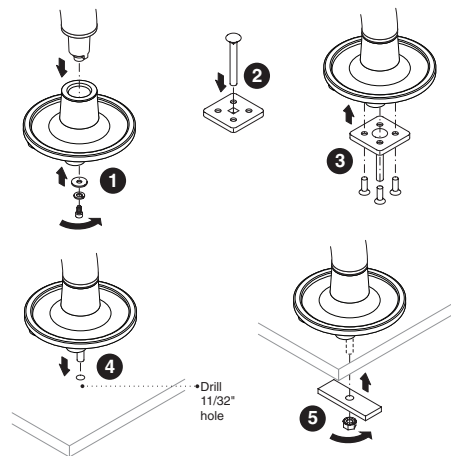


Service Part Instruction

Desk Clamp / Grommet (Service Part)



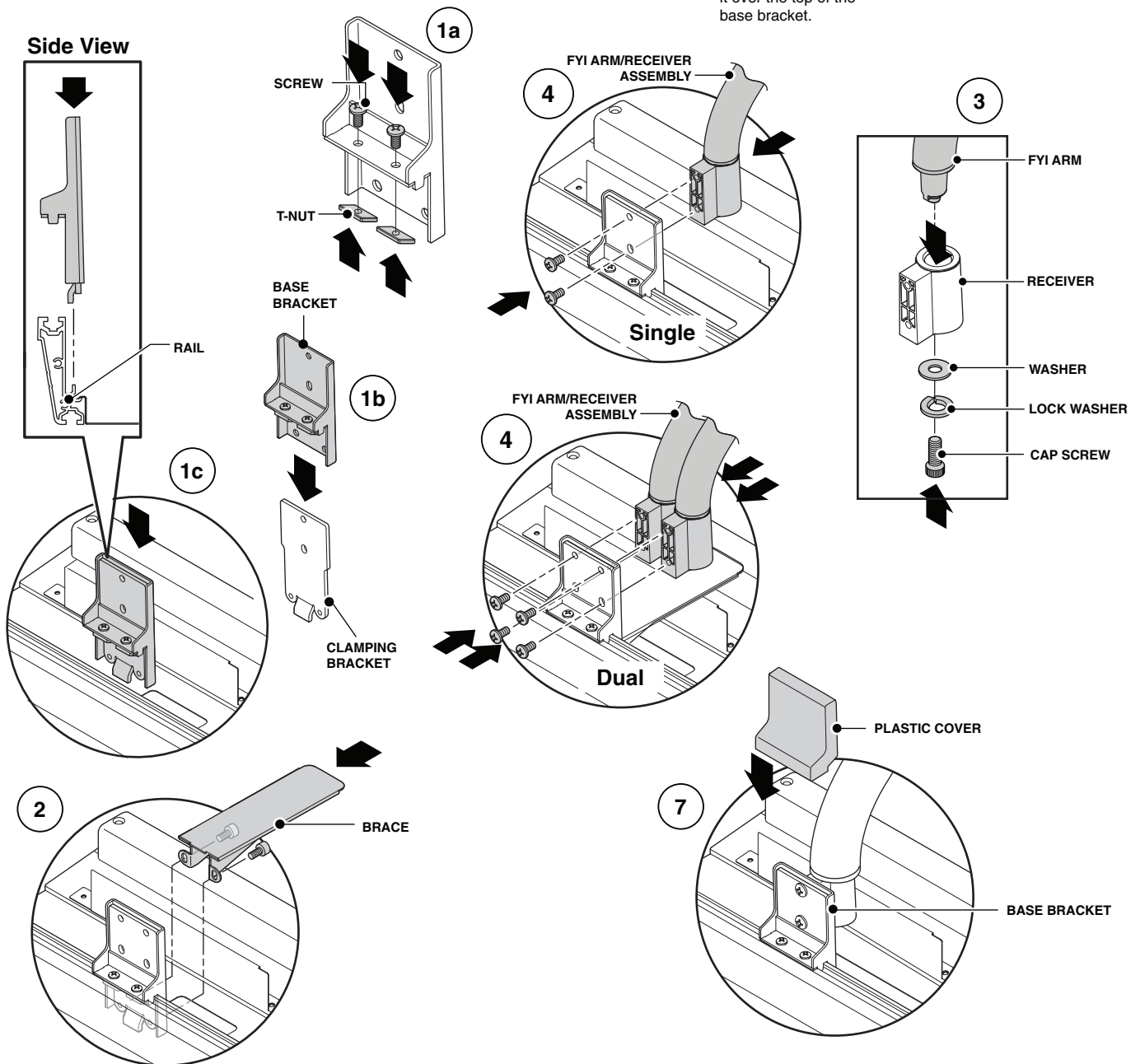
Through Mount (Service Part)





- 1 Mount screws and t-nuts in the correct orientation as shown (1a). Slide clamping bracket into bottom of base bracket (note tab direction, per side view) (1b) and lower onto rail at rear of c:scape desk (1c). Align two (2) t-nuts with rail slot to aid installation. Do not tighten screws yet.
- 2 **FOR SINGLE MONITOR ASSEMBLY ONLY** - Install two (2) screws but do not tighten yet.
FOR DUAL MONITOR ASSEMBLY ONLY - Guide brace into place, beneath worksurface. Install two (2) screws but do not tighten yet.
- 3 Attach FYI arm to receiver with screw/washers (included with FYI arm).

- 4 Attach FYI arm/receiver assembly to base bracket with included hardware (qty 2).
- 5 Tighten screws from step 1.
- 6 Tighten screws from step 2.
- 7 Install plastic cover by sliding it over the top of the base bracket.



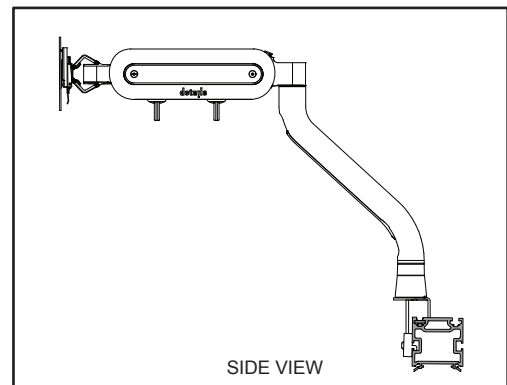
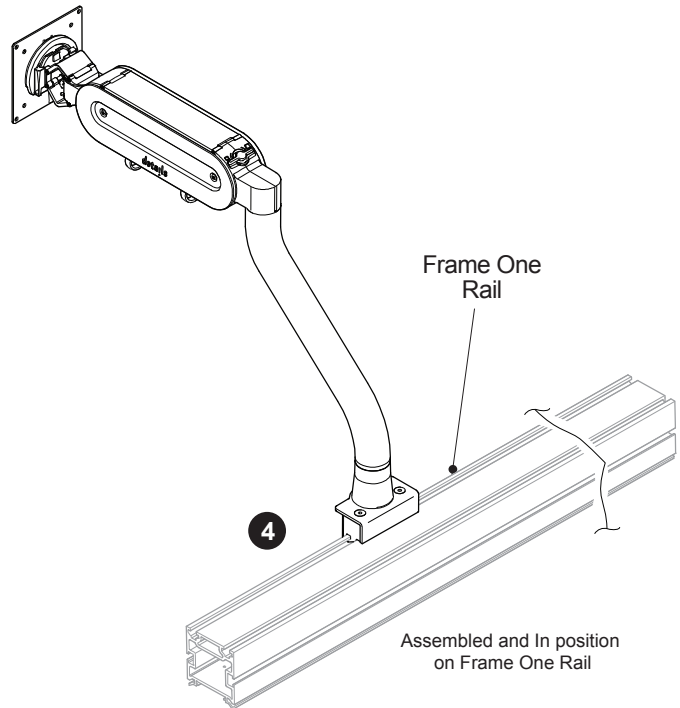
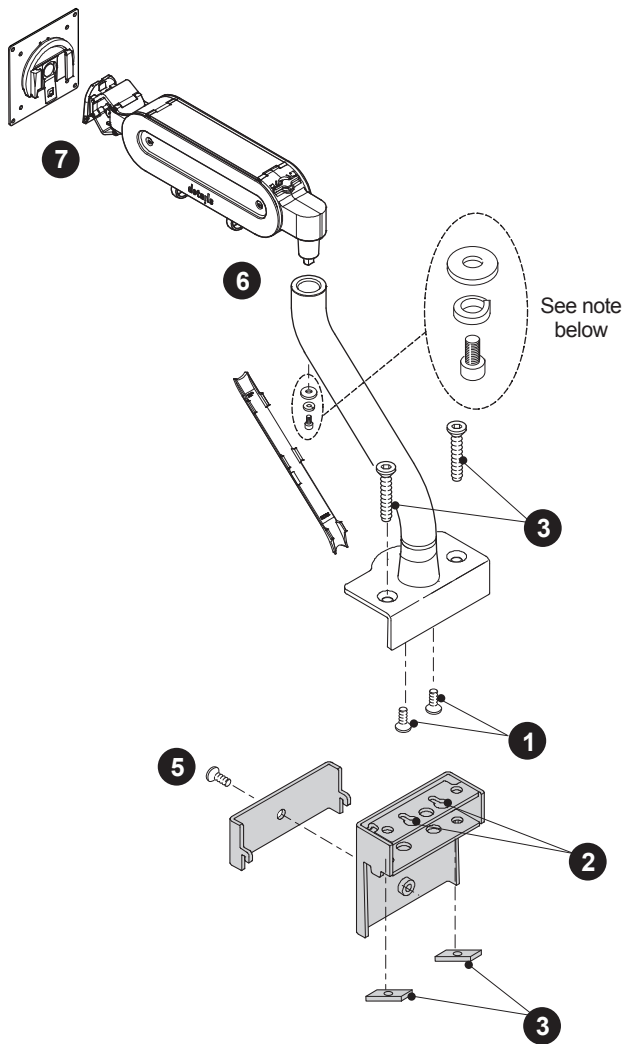
003876D Rev L



FYI Single Monitor Arm with Frame One Bracket
FPASINGLEFO

- 1 Insert screws into bottom of monitor arm. Allow two (2) fasteners to protrude approx. 1/4". These will be fully tightened after Step 2.
- 2 Slip bracket over screw heads (from Step 1) using the keyhole slots. Slide brackets together and tighten two (2) screws.
- 3 Guide two (2) flat head screws through bracket and partially thread T-nuts onto screws. Note proper orientation of T-nuts.

- 4 Place arm/bracket assembly onto desk rail. Tighten two (2) flat head screws and T-nuts from Step 3.
- 5 Install locking plate onto face of assembled bracket. Install and tighten final screw.
- 6 Install upper arm as shown.
- 7 Install VESA monitor plate as shown.





FYI Single Monitor Arm with Frame One Bracket
FPASINGLEFO



Desk Clamp / Grommet Bracket (Service Part)



Slatwall/SlatRail Bracket
FPASWR



Through Mount Bracket (Service Part)



FYI Single Flat Panel Monitor Arm with c:scape Bracket
DFPASINGLECS



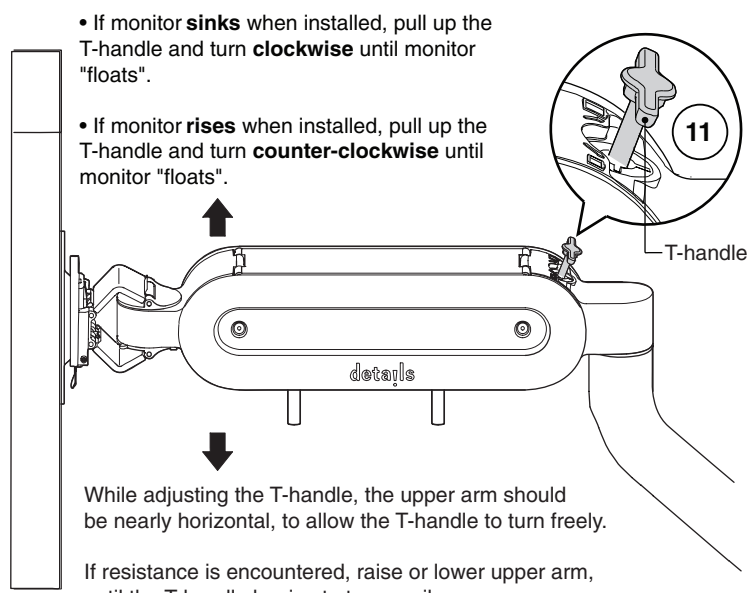
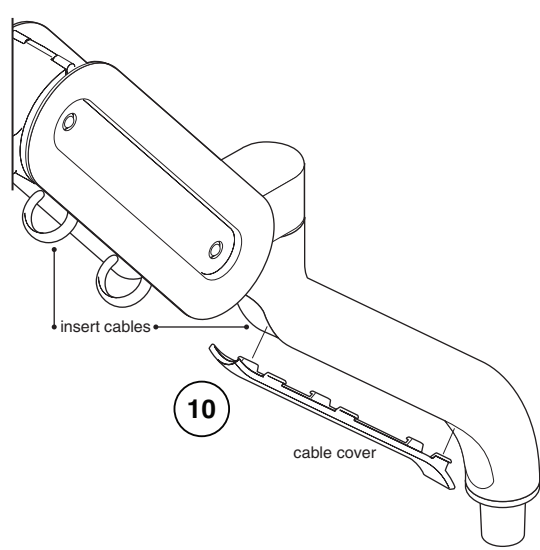
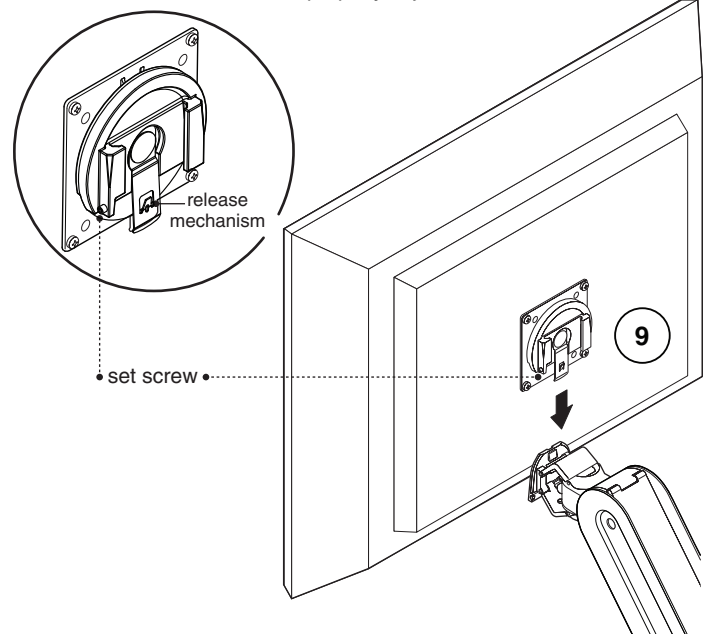
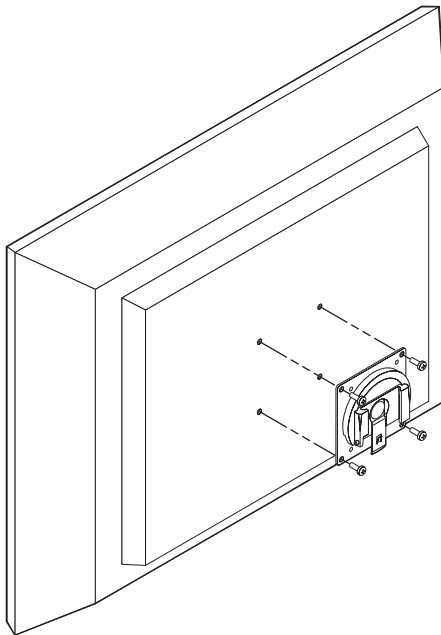
Wall Mount Bracket
FPAWALL



FYI Dual Flat Panel Monitor Arm with c:scape Bracket
DFPADUALCS

- 7 Attach VESA Bracket to backside of monitor.
- 8 Slide monitor mount assembly onto end of arm until audible "click" is heard. Tighten set screw to prevent removal of monitor.
- 9 Gently pry off cable cover on the bottom of the arm. Insert cables into arm cavity and through two loops under the arm. Press cover back into place.

- 10 Adjust T-handle to accommodate weight of monitor. The monitor should "float" (neither rise nor fall) when the counterbalance is properly adjusted.



- If monitor **sinks** when installed, pull up the T-handle and turn **clockwise** until monitor "floats".
- If monitor **rises** when installed, pull up the T-handle and turn **counter-clockwise** until monitor "floats".

While adjusting the T-handle, the upper arm should be nearly horizontal, to allow the T-handle to turn freely.

If resistance is encountered, raise or lower upper arm, until the T-handle begins to turn easily.

For further information, please go to the Details website details-worktools.com or call 800.833.0411

P.O. Box 1967 Grand Rapids, MI 49501-1967

©2013 Steelcase Inc. All rights reserved. 4/13