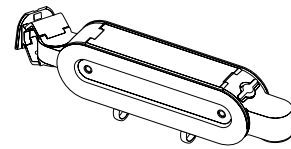


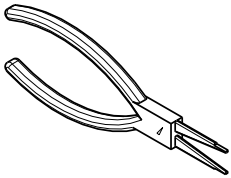


Installation Instructions

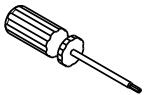
FYI Gas Cylinder Replacement



Tools:

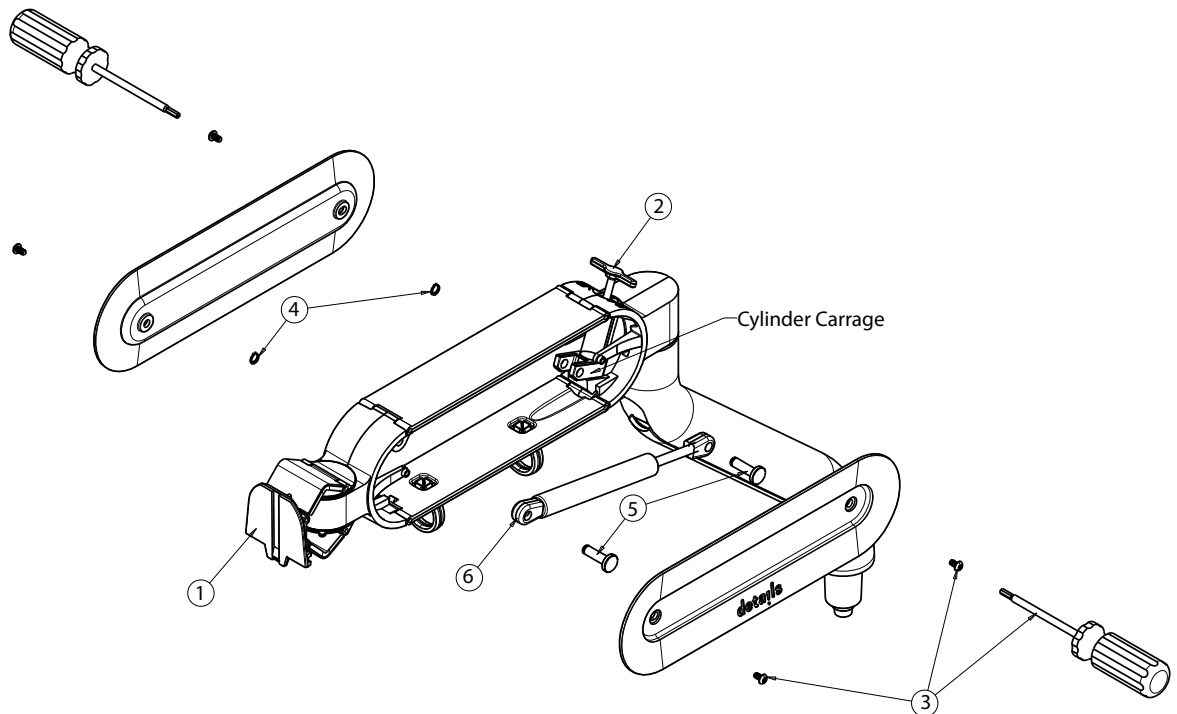


004000DSR
Removal Tool - Cylinder



004001DSR
Removal Tool - Upper
Arm Cover

1. Remove LCD Screen and set aside.
2. Extended T-handle and adjust clockwise, to bring cylinder carriage to lowest position.
3. Remove both FYI Upper Arm Covers, using 004001DSR.
(1/8" pin-in-hex drive for 6-32 pin-in-hex screws)
4. Remove both retaining rings using 004000DSR. (retaining ring pliers for 6mm external retaining rings. Do not spread retaining rings apart any more than necessary.
5. Remove both cylinder pins.
6. Remove gas cylinder.
7. Reverse steps, to install new cylinder.



For a better day at work.™

details®

A STEELCASE COMPANY

www.details-worktools.com
Details Customer Alliance 800.833.0411
©2010 Office Details Inc. All rights reserved. Printed in U.S.A. 9/11